

CHARLTON & JENRICK I920E SLIMLINE

Chimenea eléctrica Charlton & Jenrick i920E Slimline de diseño elegante, llama realistas y tecnología avanzada, ideal para cualquier espacio.



[Ver más información online](#)

Charlton & Jenrick^{LTD}

www.charltonandjenrick.co.uk

Electric Fires

PRODUCT RANGE 2023



The greatest love begins with a little spark.

IGNITE THE FIRE WITHIN...

Modern electric fires are the pinnacle of design and the first choice for the discerning consumer who wants looks, ease of use and the latest in technology.

BUY WITH CONFIDENCE

Charlton & Jenrick have been manufacturing and supplying into the Fireplace independent retail market for over 35 years. You are safe in the knowledge that all our products are UKCA and CE approved, meet all current EcoDesign regulations and are at the forefront of innovation. Being both ISO9001 and ISO14001 compliant, you can rest assured that quality products and environmental impact are top of our agenda when creating these stunning fires.



DEDICATED RETAILER NETWORK

Our expertise is in the innovation, design and manufacture of high tech, high quality beautiful flame products. To ensure you get the best in customer service we work with dedicated local independent retailers that can offer you advice, home visits and support in your local area. You should only find Charlton & Jenrick products available through local independent retailers, which can be found on our website:

charltonandjenrick.co.uk/products/store-locator

We do not sell to national/international retailers and those that sell nationwide via telephone or internet sales. We do this because we truly believe you need to view our products and speak to an experienced retailer who sells our products daily and can help with any advice, surveying your site and any after sales service required. To this end it is a condition of our terms & conditions we have with our dedicated retailers that they themselves look after any technical issues that arise in the first instance because they are in the best place to offer quick local support to a product they fully understand and to you their customer.

This is also a reason why we would strongly advise against you buying any fireplace product (either ours or any other brand) from a distant seller who is not available for local survey, installation and trouble shooting should any issues arise.

FIVE YEAR PRODUCT WARRANTY

Our large format electric fires i.e. the Polaris and iRange fires come with a two-year parts and labour warranty, with the option of extending the parts warranty for a further three years if you fill in your warranty registration online within 1 month of purchasing your product. In all cases regarding warranty please refer in the first instance to the retailer where you bought the fire, this is where your contract lies and in the majority of cases they will be able to get you sorted before passing over to us if they cannot.



Our 16" & 22" electric fires come with a 12 month return to base warranty. That means in the unlikely event of an issue if you speak with your retailer, they will arrange to take away your fire and replace it for you.

Scan this to go to our website store-locator



POLARIS 4-13

The next generation in Electric Fires

iRANGE Slimline 14-27

Endless design opportunities for all homes

iRANGE Deep 28-41

Panoramic fires that create a luxurious design feature

3D & 4D Ecoflame 16" 42-47

Electric fires with ground breaking features

4D Ecoflame 22 16/22" 48-49

Versatile and intelligently designed electric fires

3D Ecoflame Electric Stoves.... 50-51

Ultra-realistic flame effect stoves in any home

Dimensions & Specifications 54-63

Find the flame that fits

KEY FEATURES



LIVEFLAME

Realistic flame effect, with a relaxing flame effect.



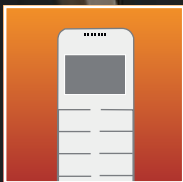
AMBIENT LIGHT BED

Choose between a range of options or the automatic setting which cycles through the whole range.



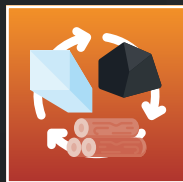
MOOD SETTINGS

Optional LED lighting strips can be installed in the fireplace and furniture surround - up to 6m for Polaris & 4m for iRange.



THERMOCONTROL REMOTE

Easily control all the features of the fire and view the room temperature too.



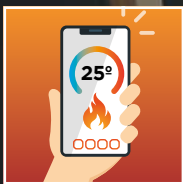
TAILORED FUEL BED

You have the choice of ice crystals or a range of hand painted ceramic logs to finish off your fire.



ECO DESIGN COMPLIANT

All our electric fires are compliant with the EcoDesign 2022 standard.



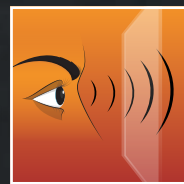
APP CONTROL

The C&JsmartFIRE app gives you full control of your fire from your mobile device.



ACTIVE GLOWING EMBER FUEL BED

Gives you multiple colour and brightness options, for your perfect effect.



ANTI-REFLECTIVE GLASS

Anti-Reflective glass as standard, giving you an uninterrupted view of the fire.

POLARIS Range

Modern electric fires are the pinnacle of design and the first choice for the discerning consumer who wants looks, ease of use and the latest in technology.

The Polaris range from Charlton & Jenrick offers stunning ultra-realistic flame-effect fires that boast market-leading features and finishes that represent the next generation of modern living.

Design opportunities are endless, and the fires will become the centre of your living area where you can build them into bookcases, media walls and feature walls. The optional mood lighting allows you to power and control up to 6 metres of LED lights that can be incorporated into your designs.



The next generation in ultra-realistic living flame electric fires



POLARIS

KEY FEATURES

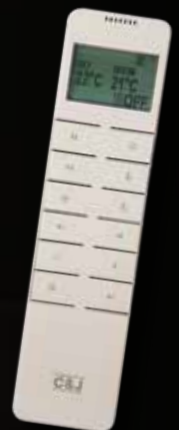
- Realistic flame effect with a choice of three flame colours and five flame speeds
- Active Glowing Ember Fuel Bed with five brightness settings and a choice of thirteen different colours and a setting that cycles through all the options
- Supplied with logs as standard. All logs are hand-painted to be extremely realistic and no log is repeated in the set which includes brown logs, moss logs, split logs and bark pieces. The fuel bed also includes realistic embers and bark
- Along with the standard woodland log set, you can choose between the optional driftwood log set or quartered split log set. These optional log sets will allow you to change the look and feel of your fire
- LED technology. (low running cost long life) lighting effect on the fires
- Supports and controls compatible LED mood lights (controlled with appliance remote control). It will support up to six metres of optional LED lighting strips to illuminate your installation feature, fireplace or general surround
- All spare parts can be exchanged through the removal of the glass and the parts are all plug-and-play modules
- The fires are fully compliant with eco design standard
- Anti-reflective window front and sides as standard
- Full functional remote supplied as standard
- 1-2kW Adaptive control (on board energy manager)
- Accurate room temperature control (Electronic thermostat in hand remote)
- Daily and 7-day Programmable Heating
- Supplied with wall bracket and 2 mounting brackets
- Kettle Plug Cable for easy pre-wiring

THERMOCONTROL REMOTE

Take control your new EcoDesign electric fire from the comfort of your sofa.

The innovative, technologically advanced thermostatic remote control helps you easily control your fire and access its many features. The flame effect, fuel bed lighting, mood lights and heater can all be operated individually or in conjunction with one another.

- Remote power on and off
- See time, day and battery power
- Set timer, temperature and heating period
- View actual room temperature
- Scroll through flame and light options
- Adjust flame effect
- Change lighting levels
- Advance heating



POLARIS FUEL BED OPTIONS

Choose the log set that best suits your interior and tastes.

Woodland Log Set



Quartered Split Log Set



Driftwood Log Set





A SQUARE AND SHALLOW FIRE THAT IS THE PERFECT PROPORTION FOR FITTING INTO A FIREPLACE

The 620e Slimline is a square, shallow fire that is designed to fit within the majority of fireplaces on the market. Unlike the other Polaris fires in the range the 620e being only 171mm deep means the fire can be installed in standard fireplaces with the need to only go a little into the wall cavity. It can be set in a deeper fireplace which allows installation onto a flat wall.



620e Slimline







Polaris 840e shown as three-sided installation in feature wall with the optional quartered split logs



840e



THE MOST VERSATILE FIRE IN THE RANGE

The proportions of the 840e make it ideal to fit into any living space either in a bespoke feature or as a hang-on-the-wall fire. The Polaris 840e is perfect for those looking for premium features in a more compact package.

as-salvador.com



POLARIS 840e shown as one-sided installation in a wall with trim

Scan this to watch the POLARIS 840e fire on YouTube





MEDIUM-SIZED LANDSCAPE FIRE WITH ENDLESS POSSIBILITIES

The 1000e is the middle-sized Polaris fire that like the others can be installed in three ways; one-sided, two-sided or three-sided. The Polaris 1000e features all the same technology as the larger Polaris models, but in a more compact one-metre long format.

www.forjas-sal



POLARIS 1000e shown as a three-sided installation into a media wall



1000e



Polaris 1000e shown as a two-sided installation built into a media wall with the optional quartered split logs



Scan this to watch
POLARIS 1000e Fire
on YouTube





THE LARGEST LANDSCAPE FIRE IN THE POLARIS RANGE

At 1.6 metres wide, this fire is ideal for large feature walls and room dividers. Imagination is the only limit to what can be achieved when installing these fires. The optional driftwood and quartered split log fuel beds allow you to personalise your fire to your tastes.

www.forjas-salvador.com



1600e



Polaris 1600e shown as a three-sided installation built into a media wall





Scan this to watch
POLARIS 1600e Fire
on YouTube



Polaris 1600e shown as a three-sided
installation built into a media wall with
the optional quartered split logs

iRANGE Slimline Range

LIVEFLAME OPTIONS

A beautiful fire with flame effects to match your mood

Relax with the mood enhancing ultra-realistic flame effect with three colour options warm amber, bright white and a stunning combination of both colours for the iRange Slimline range. Each available in five mood settings. The mood settings offer five differing levels of brightness and size of flames.

AMBIENT LIGHT FUEL BED

A palette of nine glorious colours

As well as choosing mood matching colours for your fire's natural flame effect, you can set the colour of the ultra-realistic fuel bed too. Choose from a glowing, natural amber or take your pick from any one of eight other shades to match your mood – all easily set using your remote control. You can even set the colours to gradually transition from one shade to another, cycling through the whole palette to create an ever-changing display.

MOOD LIGHTING (OPTIONAL)

Create the right mood in your room by lighting the area surrounding your fire

Optional lengths of LED lighting strips are available that plug into your fire and you can run in your fireplace or build into the wall. The lights are controlled from the fires handset and offer you a palette of thirteen glorious colours that can be set separately to the flame and fuel bed effects (they can also be set to the same colours).

TAILORED FUEL BED OPTIONS

Different looks from a choice of fuel beds

Which look will you choose today? Traditional log fire? Ultra cool ice and crystal? The choice is yours. You can even create your own bespoke look by removing the glass front to create a mix of different fuel bed materials to your own design.

ECODESIGN COMPLIANT

Love your fire, love the energy you save

Energy-saving is second nature for our fires. As well as setting thermostatic controls, you can set your fire to turn itself on and off at any time you choose and all our electric fires are built to EU and UK standards, making them Ecodesign compliant. The fire has a seven day timer setting, thermostat control and open window detection.

THERMOCONTROL REMOTE

Simple controls from a single handset

Choose the lighting. Choose the flame effect. Choose to turn on the heat or simply enjoy the display. The full range of features on your fire can be controlled remotely from our slim and elegant handset.

- Remote power on and off
- See time, day and battery power
- Set timer, temperature and heating period
- View actual room temperature
- Scroll through flame and light options
- Adjust flame effect
- Change lighting levels
- Advance heating
- Two optional crackle sound effects



4D Ecoflame electric fires with ground breaking features



iRANGE SLIMLINE

KEY FEATURES

- Tailor your fuel bed with either our woodland log set with logs of different colours and sizes, or large crystals are also included in the box, allowing you to choose the look and feel you want.
- Exciting realistic LiveFlame effect with three colour options each available in five mood settings. The mood settings allow for five differing levels of brightness and size of flames.
- Realistic Ambient Light flickering fuel bed with nine colour options and four mood settings. Choose from a glowing, natural amber or take your pick from any one of eight other shades to match your mood – all easily set using your remote control. You can even set the colours to gradually shift from one shade to another, cycling through the whole palette to create an ever-changing display.
- Mood Setting (Optional) – Create the right mood in your room by lighting the area surrounding your fire, optional lengths of LED lighting strips are available that plug into your fire and you can run in your fireplace or build into the wall. The lights are controlled from the fire's handset and offer you a palette of thirteen glorious colours that can be set separately to the flame and fuel bed effects (they can also be set to the same colours).
- Highly efficient heat control via a 7 day programmable timer and an electric thermostat all incorporated into the stylish remote-control handset.
- EcoDesign compliant built to EU and UK standards that allows you to control your fire and also includes open window detection.
- Two generous heat settings which are chosen automatically by the temperature chosen on the remote to meet and maintain your chosen room temperature.
- 1.5kW max heat output 100% efficient at point of use.
- Optional wall brackets to be able to hang the fire on the wall and build a fascia or enclosure around it.
- All fires come with a 5 year extended parts warranty (first 2 years parts & labour).
- Smart App compatibility, for full control of your fire from mobile devices.

MAXIMUM NUMBER OF GLASS SIDES VIEWABLE

MODEL	Sides
iRange i560e Slimline	1
iRange i790e Slimline	1
iRange i920e Slimline	3
iRange i1100e Slimline	3
iRange i1500e Slimline	3
iRange i2000e Slimline	3



i560e Slimline shown as one-sided installation
in Beckford Limestone Surround



i560e Slimline

A SQUARE FIRE THAT IS PERFECT FOR INSET AND FIREPLACE INSTALLATIONS

The most compact fire in the iRange Slimline range, the i560e offers a stunning and stylish focal point whilst utilising space efficiently. This fire has been specifically designed with one sided installation in mind, making this fire perfect for all limestone and hole-in-the-wall installations. There is an assortment of three flame colours to choose from, with nine other combined flame and fuel bed colour settings to choose from using the MyFlame setting.



i560e Slimline shown as one-sided installation in Nickel/Black Prestige Surround

Scan this to watch the i560e Slimline Fire on YouTube



*Subject to terms and conditions



i790e Slimline shown as one-sided installation in Coalport Micro Marble Surround

Scan this to watch the i790e Slimline Fire on YouTube





i790e Slimline

A VERSATILE DESIGN THAT WILL ENHANCE ANY INTERIOR

The perfect size for fireplace installations, the iRange i790e Slimline excels as the perfect choice for contemporary or traditional projects. When the most important factor is personalisation, the i790e shines. With nine different fuel bed colours, three different flame colours, and thirteen different LED colours, there are hundreds of different colour variations.



i790e Slimline shown as one-sided installation in Limestone Slips





A COMBINATION OF SIMPLICITY AND MODERN ELEGANCE

At almost one metre, the iRange i920e Slimline strikes the ideal balance between providing a wide flame picture, suiting all room types and sizes. Our realistic woodland logs add to the cosy real fire ambience, featuring logs of different colours and sizes. Installation is possible with three sides of glass, allowing you to find the perfect fit to create a statement centrepiece in your home.

www.forjas-salvador.com



i920e Slimline





Scan this to watch
the i920e Slimline
Fire on YouTube



i920e Slimline shown as two-sided installation
in a media wall with the optional LED lighting



i1100e Slimline shown as three-sided installation in a media wall with the optional LED lighting

Scan this to watch the i1100e Slimline Fire on YouTube



i1100e Slimline



CREATE A FOCAL POINT AND SENSE OF OCCASION FOR ANY SETTING

Perfect for media walls, feature walls, and dividing walls alike, the only limit with the iRange i1100e Slimline is your imagination. Designed to make a statement with our ultra-realistic log set drawing you in, adding character to your home. There are thirteen colours to choose from with the optional LED lighting allowing you to tailor your fireplace to your mood and environment.





A PANORAMIC FIRE WITH UNLIMITED INSTALLATION POSSIBILITIES

This slim fire allows for less intrusive installations, allowing it to be installed in a wider variety of homes and settings. At 1.5 metres long, the i1500e has been designed for larger rooms or open plan areas, transforming the interior of your home. Optional LED lighting creates an engaging and customisable feature, with thirteen different colours.

www.forjas-salvador.com

i1500e Slimline





Scan this to watch
the i1500e Slimline
Fire on YouTube



i1500e Slimline shown as three-sided installation
in a media wall with the optional LED lighting

*Subject to terms and conditions

01952 200 444

www.charltonandjenrick.co.uk

25



www.forjas-salvador.com

i2000e Slimline shown as three-sided installation in a media wall with the optional LED lighting



Scan this to watch the i2000e Slimline Fire on YouTube





A LUXURIOUS ADDITION TO ANY ROOM

The biggest in the iRange Slimline range, the iRange i2000e Slimline measures in at a substantial two metres long. This extra-wide flame picture will enhance even the biggest of rooms, with our ultra-realistic woodland logs inside. The i2000e will add an air of sophistication to your home, whether you install it as a media wall, feature wall, or dividing wall.



iRANGE DEEP Range

LIVEFLAME OPTIONS

A beautiful fire with flame effects to match your mood

Relax with the mood enhancing ultra realistic flame effect with three colour options; orange, white and a combination of both. Each available in five mood settings. The mood settings offer five differing levels of brightness and size of flames.

AMBIENT LIGHT FUEL BED

A palette of nine glorious colours

As well as choosing mood matching colours for your fire's natural flame effect, you can set the colour of the ultra-realistic fuel bed too. Choose from a glowing, natural amber or take your pick from any one of eight other shades to match your mood – all easily set using your remote control. You can even set the colours to gradually shift from one shade to another, cycling through the whole palette to create an ever-changing display.

MOOD LIGHTING (OPTIONAL)

Create the right mood in your room by lighting the area surrounding your fire

Optional lengths of LED lighting strips are available that plug into your fire and you can run in your fireplace or build into the wall. The lights are controlled from the fire's handset and offer you a palette of thirteen glorious colours that can be set separately to the flame and fuel bed effects (they can also be set to the same colours).

TAILORED FUEL BED OPTIONS

Different looks from a choice of fuel beds

Along with the standard woodland log set, you can choose between the optional driftwood log set or quartered split log set.

ECODESIGN COMPLIANT

Love your fire, love the energy you save

Energy-saving is second nature for our fires. As well as setting thermostatic controls, you can set your fire to turn itself on and off at any time you choose and all our electric fires are built to EU and UK standards, making them Ecodesign compliant. The fire has a seven day timer setting, thermostat control and open window detection.

THERMOCONTROL REMOTE

Simple controls from a single handset

Choose the lighting. Choose the flame effect. Choose to turn on the heat or simply enjoy the display. The full range of features on your fire can be controlled remotely from our slim and elegant handset.

- Remote power on and off
- See time, day and battery power
- Set timer, temperature and heating period
- View actual room temperature
- Scroll through flame and light options
- Adjust flame effect
- Change lighting levels
- Advance heating
- Two optional crackle sound effects



Large Format electric fires with ground breaking features



iRANGE DEEP

KEY FEATURES

- Tailored fuel bed options. Along with the standard woodland log set, you can choose between the optional driftwood log set or quartered split log set. These optional log sets will allow you to change the look and feel of your fire.
- Exciting realistic LiveFlame effect with three colour options each available in five mood settings. The mood settings allow for five differing levels of brightness and size of flames.
- Realistic Ambient Light flickering fuel bed with nine colour options and four mood settings. Choose from a glowing, natural amber or take your pick from any one of eight other shades to match your mood – all easily set using your remote control. You can even set the colours to gradually transition from one shade to another, cycling through the whole palette to create an everchanging display.
- Mood Setting (Optional) – Create the right mood in your room by lighting the area surrounding your fire, optional lengths of LED lighting strips are available that plug into your fire and you can run in your fireplace or build into the wall. The lights are controlled from the fire's handset and offer you a palette of thirteen glorious colours that can be set separately to the flame and fuel bed effects (they can also be set to the same colours).
- Highly efficient heat control via a 7 day programmable timer and an electric thermostat all incorporated into the stylish remote-control handset.
- EcoDesign compliant built to EU and UK standards that allows you to control your fire and also includes open window detection.
- Two generous heat settings which are chosen automatically by the temperature chosen on the remote to meet and maintain your chosen room temperature.
- 2kW max heat output 100% efficient at point of use.
- Optional wall brackets to be able to hang the fire on the wall and build a fascia or enclosure around it.
- All fires come with a 5 year extended parts warranty (first 2 years parts & labour).
- Smart App compatibility, for full control of your fire from mobile devices.

LOG SET OPTIONS

Choose the log set that best suits your interior and tastes.

Woodland Log Set



Quartered Split Log Set



Driftwood Log Set



i750e Deep shown as a one-sided installation
in Stapleton Limestone Surround



Scan this to watch
the i750e Deep Fire
on YouTube



i750e Deep



A DIFFERENT TAKE ON THE iRANGE DEEP, PERFECT FOR LIMESTONE INSTALLATIONS

The extra tall firebox of the i750e Deep adds considerable presence, allowing for taller flames than the rest of the range. As well as the standard woodland logs, there are also optional quartered split and driftwood logs to allow you to personalise your fire. When installed in limestone fireplaces, the i750e Deep achieves the perfect balance of modern and traditional design.

www.forjas-salvador.com



i750e Deep shown as one-sided installation in Pudsey Marble Sapphire Surround





A MORE COMPACT ADDITION TO OUR iRANGE DEEP LINEUP, PERFECT FOR SMALLER ROOMS AND MORE TRADITIONAL INTERIORS

Incorporating all of the features of our more expansive iRange models in a smaller form factor makes this perfect for smaller rooms. The C&J Smart App enables you to control all aspects of the fire from your mobile device, including the two optional crackle sound effects.

i1000e Deep



i1000e Deep shown as a two-sided installation in a media wall with the optional LED lighting



i1000e Deep shown as a three-sided installation in a dividing wall



Scan this to watch
the i1000e Deep
Fire on YouTube





A DEEPER ADDITION TO THE iRANGE TO GIVE YOU MORE FUEL BED AND ILLUMINATION

The i1250e is a mid range electric fire that is ideal for feature walls and room dividers. The extra depth has allowed for a chunkier log set and increased illumination of the fuel bed thanks to a unique glowing front log feature. This fire also features the striking bright white flame setting.



Range i1250e Deep as a two-sided installation in a kitchen island with the optional driftwood Logs



i1250e Deep



i1250e Deep as a three-sided installation in a media wall



Scan this to watch
the i1250e Deep
Fire on YouTube



i1500e Deep shown as a two-sided installation in a media wall with the optional quartered split logs



Scan this to watch
the i1500e Deep
Fire on YouTube



i1500e Deep



ELEGANT SIMPLICITY BLENDED WITH SUBSTANTIAL PRESENCE

This 1.5-metre-wide electric fire is designed to create maximum visual impact in your home. The clean, graceful lines of the i1500e Deep make this modern design look attractive even when it is not alight. Four metres of optional LED mood lighting allows for multiple lighting effects to be created.

www.forjas-salvador.com



i1500e Deep shown as a three-sided installation in a media wall





AT 1.8 METRES IN LENGTH, THIS IS THE PERFECT CENTREPIECE FOR A MODERN HOME

With a vast expanse of glass, the i1800e is perfectly suited to creating a modern media wall centrepiece for your home. This fire is compatible with one, two, or three-sided installations, meaning the only limit is your imagination. The extra-wide flame picture will enhance even the biggest of rooms.

i1800e Deep



i1800e Deep shown as one-sided installation in a media wall



i1800e Deep shown as a three-sided installation in a media wall with the optional LED lighting



Scan this to watch
the i1800e Deep
Fire on YouTube



i2200e Deep shown as three-sided installation in a feature wall with the optional LED lighting



Scan this to watch
the i2200e Deep
Fire on YouTube





iRANGE i2200e Deep

AT 2.2 METRES IN LENGTH, THIS IS THE LARGEST VERSION OF OUR iRANGE DEEP ELECTRIC FIRES

The iRange i2200e Deep combines style, efficiency and customisability to provide the ultimate solution for modern interior designs. Being the biggest in the range means this is the perfect choice for the discerning customer, looking for the ultimate in luxury electric fires.

www.forjas-salvador.com



i2200e Deep shown as a three-sided installation in a media wall with the optional LED lighting



ECOFLAME™

CONTEMPORARY OR TRADITIONAL?

Suitable for any room, whether traditional or contemporary, incorporating realistic flame effects from 3D Ecoflame™ and 4D Ecoflame™ technology which brings a comforting warmth to any home.

A popular choice for people who prefer electric to gas – their versatility and low watt usage allows them to be fitted anywhere there is an electric supply, making them viable for use in apartments, flats, remote locations, houses without chimneys/flues and where there are no options to use gas.

- Mix and match frets and trims to suit your room
- Suitable for use where gas isn't an option
- Realistic flame effects give your room a warm welcoming feel
- Various fuel bed options available

4D ECOFLAME™ FASCIA LIGHTS

Thirteen colour options, colour morphing and four mood settings

All Charlton & Jenrick Elite Fascias now come with the option of patented LED trim lights that are controlled by the fire's remote control.

There is an optional 1 metre length of LED lighting strip that is available and can be fitted into a fireplace or surround and controlled by the fire. There are thirteen colour options and a colour morphing setting, each available in four mood settings.

Please note that this optional strip can not be used if the LED lights are being used on the Fascia. It is a choice of either fascia lights or 1 metre length. Remote control handset designs vary according to fire model.



Intelligently designed electric fires with versatility in mind



ECOFLAME™



3D ECOFLAME™ KEY FEATURES

- Included in the box are loose realistic log, glass beads and coal fuel bed - use all three together if you wish!
- Exciting realistic flame effect with 4 mood settings with choice of warm dark orange flame or orange and blue flame.
- Remote control with timer and thermostat built in.
- Realistic active flame images appear from the middle of the fuel bed created by Charlton & Jenrick's superb 3D reflection technology.
- High-level side buttons for easy access.
- Two generous heat settings Low 0.75kW and High 1.5kW.
- Fits most Charlton & Jenrick frets and fascias.



4D ECOFLAME™ KEY FEATURES

- Exciting ultra-realistic flame effect with three colour options each available in four mood settings. The mood setting offers four differing levels of brightness and flame size.
- Realistic flickering fuel bed with thirteen colour options and a colour morphing setting, each available in four mood settings.
- Multiple fuel bed options including realistic log, coal, ice crystals small and large and glowing embers. All are included with the fire for the user to decide.
- Highly efficient heat control via a 7-day programmable timer and an electric thermostat all incorporated into the stylish remote-control.
- High-level side buttons for easy access and alternative control of flame effect and the fuel bed.
- Two generous heat settings which are chosen automatically by the temperature chosen on the remote to meet and maintain your chosen room temperature.
- Realistic active flame images appear from the middle of the fuel bed created by C&J's superb 4D reflection technology.
- 1.5kW max heat output (100% efficient at point of use).
- Fits most Charlton & Jenrick Frets and Fascias with many fire and fascia packages available.
- Fits most 16" fireplace openings.
- Fully EU Ecodesign compliant and UKCA approved.



3D Ecoflame™ Nickel/Chrome
Prestige Fascia in Beckford
Limestone Surround



3D Ecoflame™

AN EXTENSIVE CHOICE OF FACIAS AND TRIMS

Introducing a range of inset 16" electric fires with ultra-realistic flame effect thanks to the 3D Ecoflame™ technology from Charlton & Jenrick designed to give the look and feel of a real fire, complementing any living area, but for customers that prefer electric.

See page 66 for full range of fascia options.



3D Ecoflame™ with Pewter Square Cast Fascia in Balmoral Limestone Surround



Scan this to watch the 3D Ecoflame Fire on YouTube



INSET 16" ELECTRIC FIRES WITH 4D ECOFLAME™ TECHNOLOGY

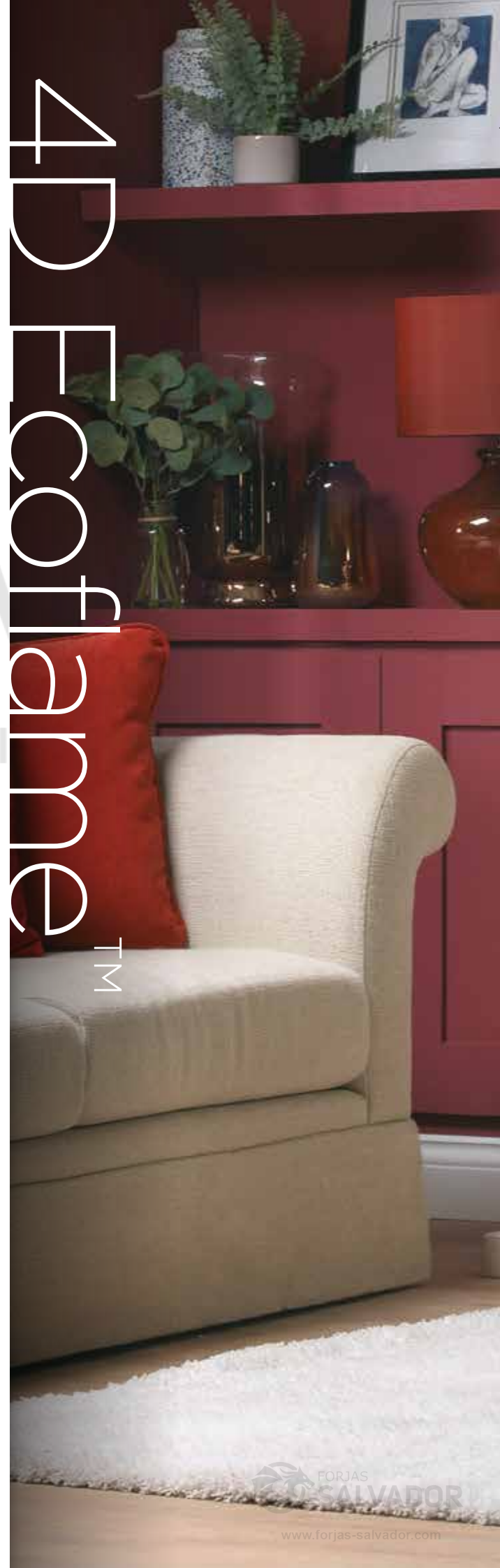
Building on the overwhelming success of the 3D Ecoflame™ electric fire, we are pleased to offer the next generation in electric fires. All models benefit from the ultra-realistic deep reflective fuel and flame effect that has set new standards across the industry. The range also boasts flickering ember effect fuel bed, 7-day timer, optional trim and fireplace mood lights to name but just a few superb innovations.

See page 66 for full range of fascia options.

www.forjas-salvador.com



4D Ecoflame™ with Chrome/Chrome Elite Fascia in Stokesay Limestone Surround with LED Trim Lights



4D Ecoflame™ Nickel/Black
Prestige Fascia in Aylesbury
Limestone Surround



Scan this to watch
the 4D Ecoflame
Fire on YouTube



4D Ecoflame22 in Beckford Limestone Surround shown in 16" opening with Satin/Black Elite Fascia and LED trim lights



Small spacers allow the fascia to stand off the back panel/wall to allow for the optional LED trim lights to be fitted



4D Ecoflame22 in Beckford Limestone Surround shown in 22" opening (spacers) with Chrome/Chrome Elite Fascia and LED trim lights



4D Ecoflame22

OUR WIDE 22" ELECTRIC FIRE THAT FITS INTO A STANDARD 16" OPENING

Exciting ultra-realistic flame effect with three colour options each available in four mood settings. The mood settings offer four differing levels of brightness and size of flames. The realistic active flame images appear from the middle of the fuel bed created by Charlton & Jenrick's superb 4D reflection technology.

By removing the spacer attached, the fire will fit flush into a wider 22" opening. There are also optional small spacers in with the fire that allow it to stand off the back panel/wall to allow for the optional LED trim lights to be fitted.

The optional LED fascia lights also offer the same thirteen colour and four mood options as the fuel bed but can be chosen interdependently to either the same or different settings.

Multiple fuel bed options including realistic log, coal, ice crystals and small, large and glowing embers all come as standard - so you are free to choose or change as you desire.

www.forjas-salvador.com



4D Ecoflame22 in Beckford Limestone Surround with Satin/Black Elite Fascia and LED lighting under header



3D ECOFLAME ELECTRIC STOVES

With today's highly efficient homes it is not always necessary to have a gas or wood burning stove in your room or fitting such an appliance may just not be possible.

If however you want the warmth from the look and feel of a stove in your home but without the need for such high heat outputs then an electric stove is the ideal choice.

The C&J electric stoves come with a choice of doors; curved, square or Alcaston which features a tracery door. The doors are all cast iron and fit on the strong steel body of the stove which are built from a 5mm thick laser profiled steel plate.

The stoves have an ultra-realistic flame effect thanks to the 3D Ecoflame™ technology from Charlton & Jenrick Ltd.

PRODUCT HIGHLIGHTS

- Loose realistic log fuel bed
- Exciting realistic flame effect with four mood settings
- Remote control with timer and thermostat built in
- Two generous heat settings - Low 1kW and High 2kW
- Heavy duty steel construction
- Quality solid cast iron door
- Three door options- tracery, curved, and square
- Optional log store and flue pipe

Electric Stoves



Square Door Electric Stove on Log Store



Curved Door Electric Stove in Beckford Limestone with All Limestone Liners



Alcaston Electric Stove
shown in Inglenook



Scan this to watch the
Alcaston Electric Stove
on YouTube



The perfect way to enhance your electric fireplace or media wall

MOOD LIGHTING

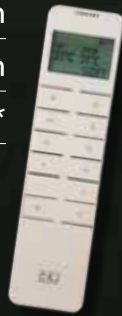
Our LED Lighting is compatible with all of our Polaris, iRange, and 4D Ecoflame models.

Maximum Length of LED connectivity for all the ranges;

Polaris	6m
iRange	4m
4D Ecoflame	1m*

(*or trim with lights fitted)

LED lighting control is built into all remotes as standard.



LED COLOUR OPTIONS

Thirteen different colour options, and a fourteenth option that cycles through all the colours.

White

Red

Amber

Light Green

Green

Emerald

Aqua Blue

Light Blue

Blue

Dark Blue

Lilac

Purple

Mauve



GET INSPIRED WITH LED LIGHTING

Inside Shelves



Underneath Overhang



Behind TV



For more inspiration, view our LED Lighting Guide



C&JSMARTFIRE APP CONTROL



THE C&JSMARTFIRE APP ALLOWS YOU TO CONTROL THE LATEST IRANGE DEEP MODELS FROM THE COMFORT OF YOUR CHAIR.

CONVENIENT CONTROL

Easily turn your fire on and off and control basic heating controls with a few clicks of a button.

FULL CONTROL OF THE FLAMES

Choose between six pre-set colours and three MY FLAME settings for custom colours as well as the option to control the brightness of the flames.

SCHEDULING FIRE CONTROLS

Schedule flame and heating settings with up to four time periods a day and three different weekly schedule patterns available.

FUEL BEDS

Choose between seven pre-set colours and two custom colour settings as well as the option to control the brightness of the fuel bed.

OPTIONAL MOOD LIGHTING

Choose between thirteen different colour options, and a fourteenth option that cycles through all the colours as well as the option to control the brightness of the led lighting.

OPTIONAL CRACKLE SOUND EFFECTS

Choose between the two optional relaxing fire crackling sound effects and control their volume, or run the fire without any sound effects.

SYNCHRONISE VISUALS

Synchronise the flames, fuel bed, and mood lighting to create one cohesive visual effect.

THERMOSTATIC TEMPERATURE CONTROL

A thermostat shows the current room temperature on the app, and you can set a desired temperature for a specified amount of time using the timer function.

WORK ACROSS DEVICES

Available on android and iOS allowing for operation from all your devices.

FIRE COMPATIBILITY

Compatible with the iRange Slimline and Deep ranges.



Installation Ideas

INSPIRATION

Media Wall



Combine your fire and TV to create a stylish, elegant centrepiece.

Feature Wall



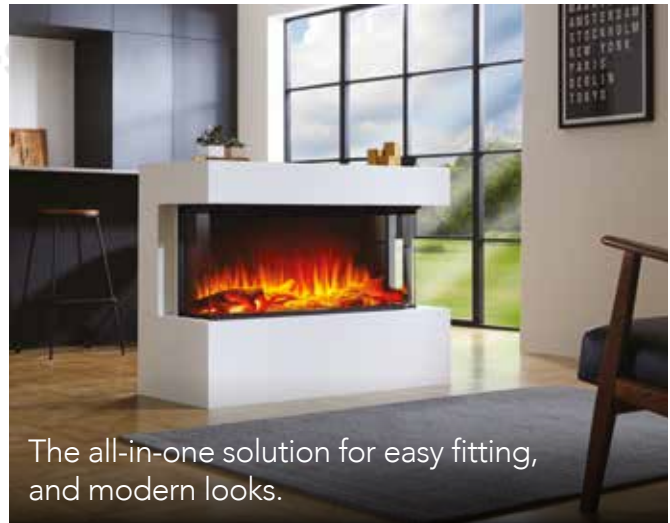
Let the fire speak for itself, creating a standout feature that is sure to impress.

Fireplace



Combining modern technology with traditional aesthetics for more conventional homes.

Electric Suite



The all-in-one solution for easy fitting, and modern looks.

INSTALLATION ASPECTS

One-Sided



Two-Sided



Three-Sided

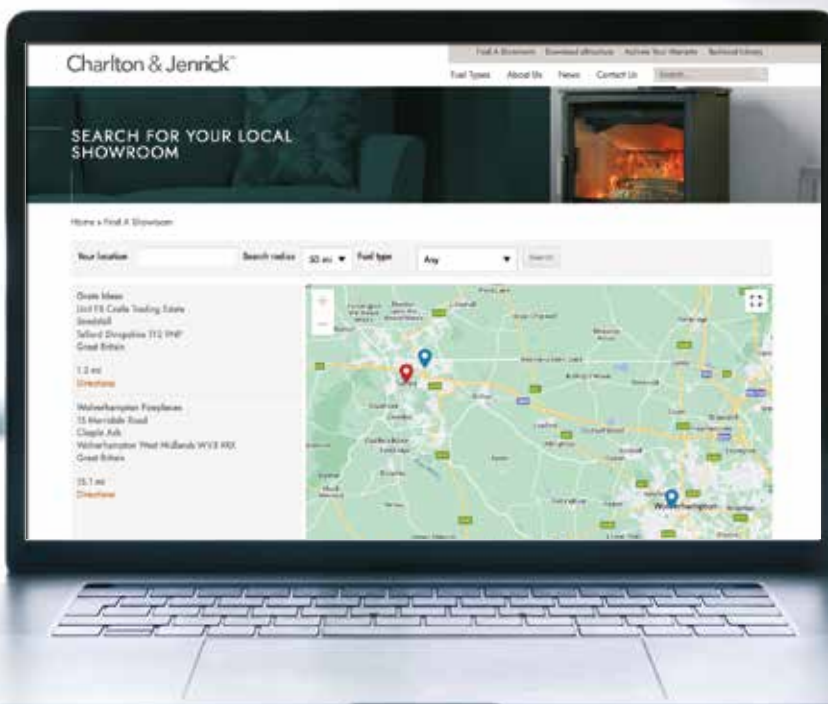


TV SIZE GUIDE

Products	Product Width	TV Size
iRange i750e Deep	0.75 metres	32"
Polaris 840e	0.84 metres	40"
iRange i920e Slimline	0.92 metres	43"
Polaris 1000e	1 metre	43"
iRange i1000e Deep	1 metre	43"
iRange i1100e Slimline	1.1 metres	43"
iRange i1250e Deep	1.25 metres	50"
iRange i1500e Deep	1.5 metres	60"
iRange i1500e Slimline	1.5 metres	60"
Polaris 1600e	1.6 metres	65"
iRange i1800e Deep	1.8 metres	75"
iRange i2000e Slimline	2 metres	80"
iRange i2200e Deep	2.2 metres	85"

*guides for fires installed hole in the wall, installations into limestone may suit larger TV's

DEALER NETWORK



Our network of over 400 independent fireplace retailers are here to tailor your installation to you.

From the initial site survey to choosing the finishing touches, they will ensure you are thrilled with the final result.

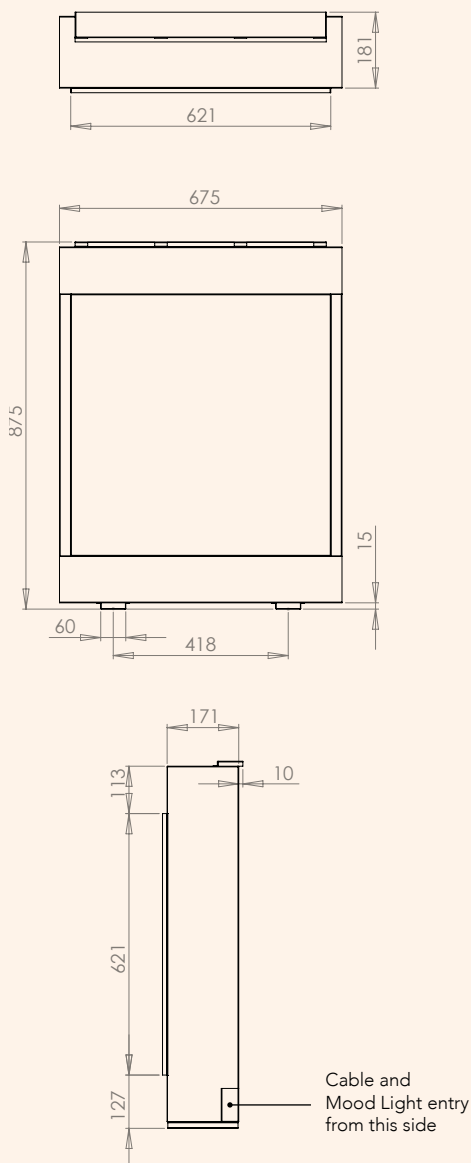
Find your
local retailer
here...



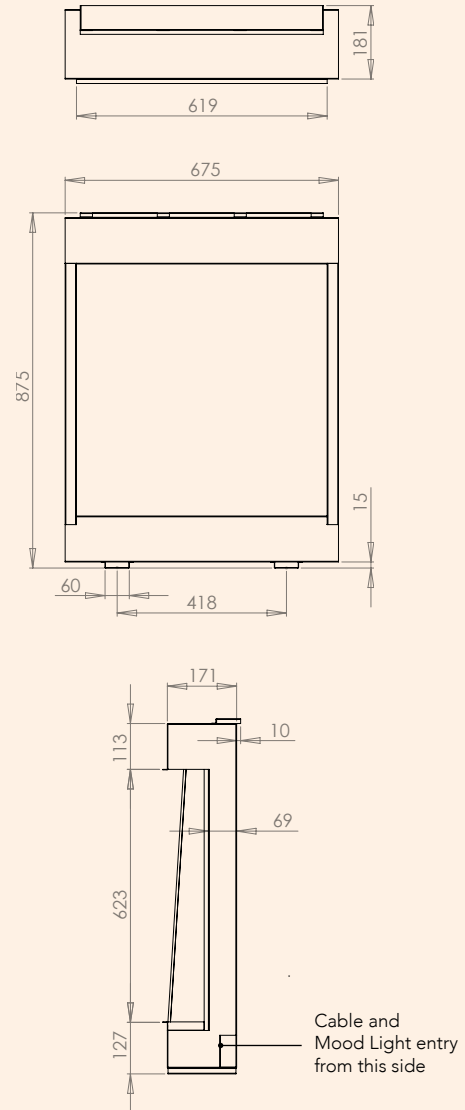


Scan this for instruction videos on YouTube

POLARIS 620e Slimline single sided arrangement



POLARIS 620e Slimline three sided arrangement

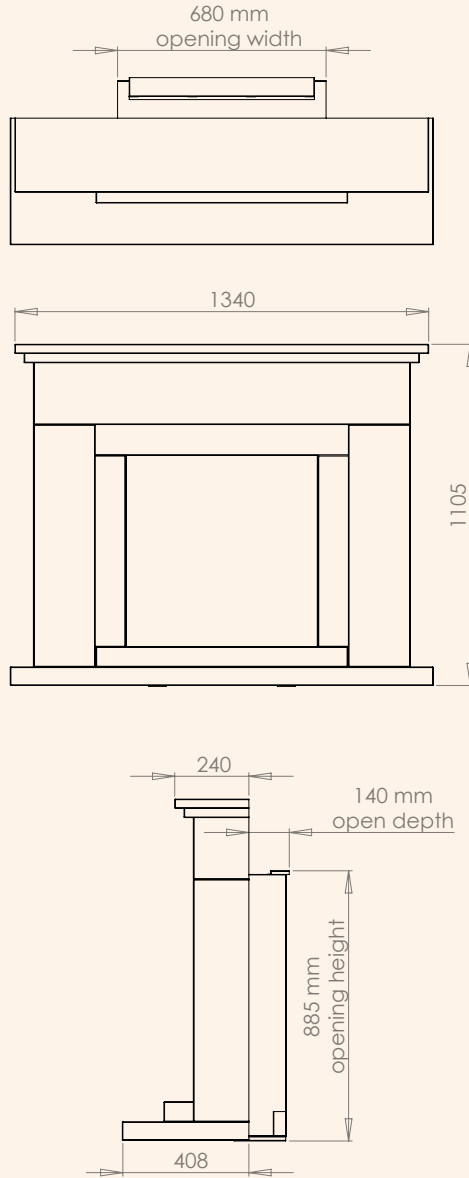


PRODUCT WARRANTY

Our large format electric fires i.e. the Polaris and iRange fires come with a two-year parts and labour warranty that can be extended for a further three years if you fill in your warranty registration online within 3 months of purchasing your product. In all cases regarding warranty please refer in the first instance to the retailer where you bought the fire, this is where your contract lies and in the majority of cases they will be able to get you sorted before passing over to us if they cannot.

Our 16" & 22" electric fires come with a 12 month return to base warranty. That means in the unlikely event of an issue if you speak with your retailer, they will arrange to take away your fire and replace it for you.

POLARIS 620e Slimline in Wenlock Suite



Please note: Our policy is one of constant development and improvement. We therefore reserve the right to revise the specification and design of our fires without formal notice.

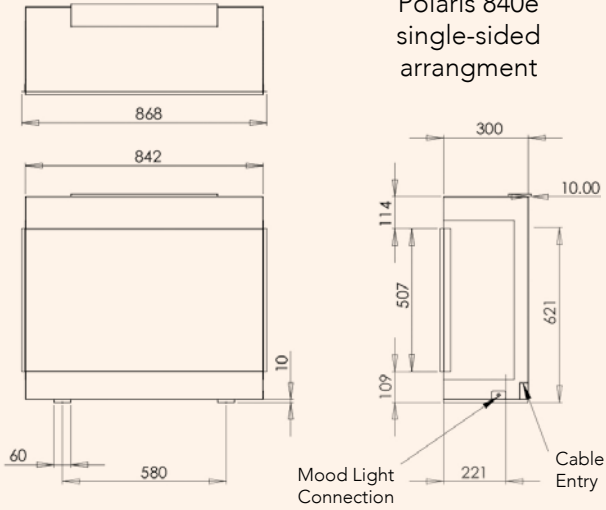
This is presented as a guide to aid in your decision and does not replace the need for technical assessment by your dealer. While the utmost care was taken in the preparation of this brochure, it is not intended to replace the installation manual which provides more detailed information.

Photography is for illustration purposes only and does not replace the need to see the fires in a showroom.

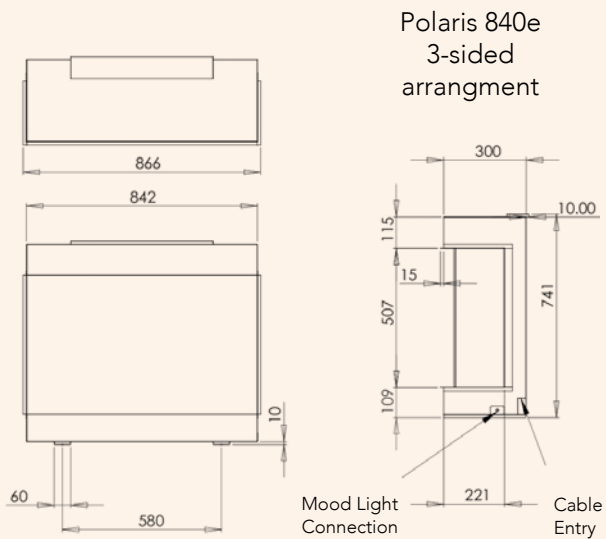
We accept no liability for any loss or damage arising either directly or indirectly from the use of this brochure. All designs in this brochure are design or copyright registered. Charlton & Jenrick, without exception, will take action against any infringements of its designs.



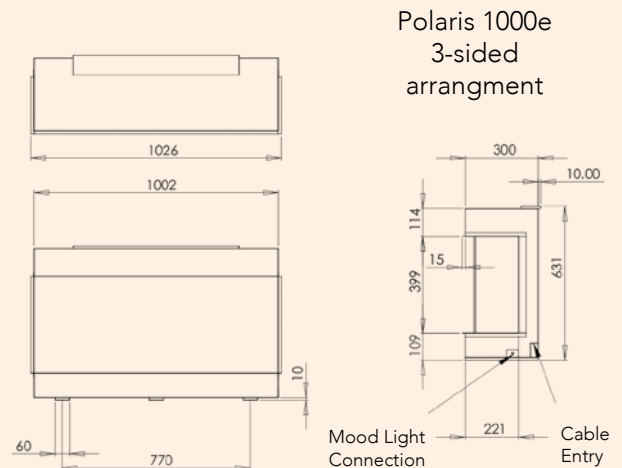
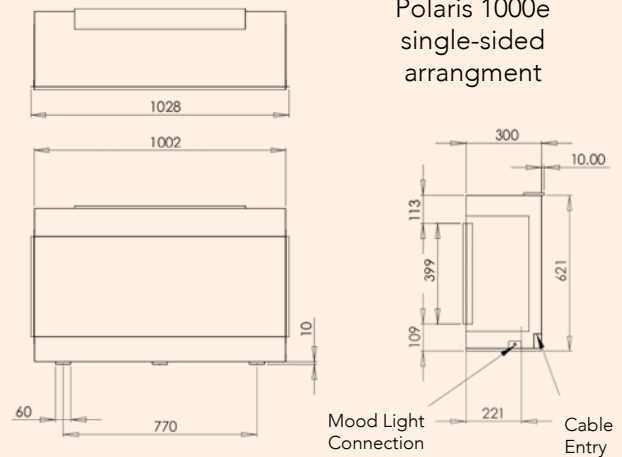
POLARIS 840e



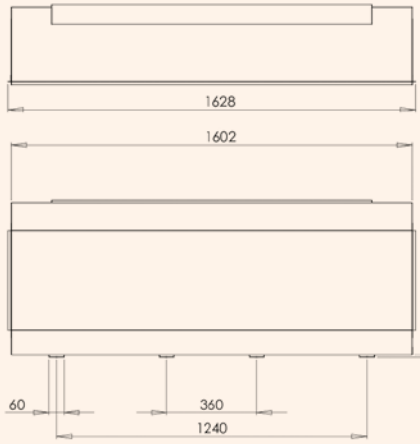
Scan this for instruction videos on YouTube



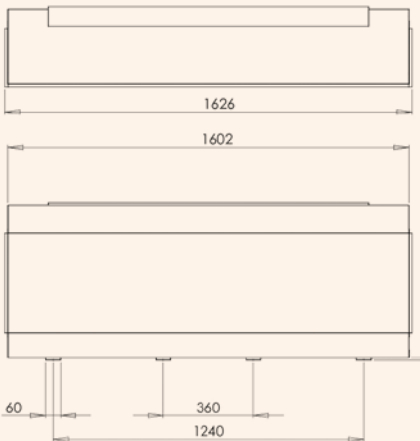
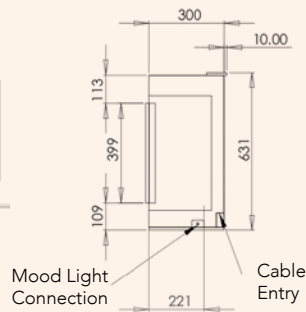
POLARIS 1000e



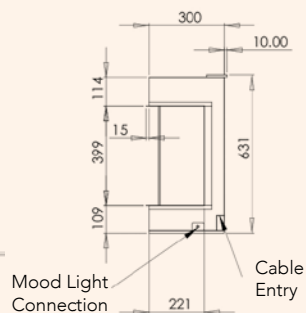
POLARIS 1600e



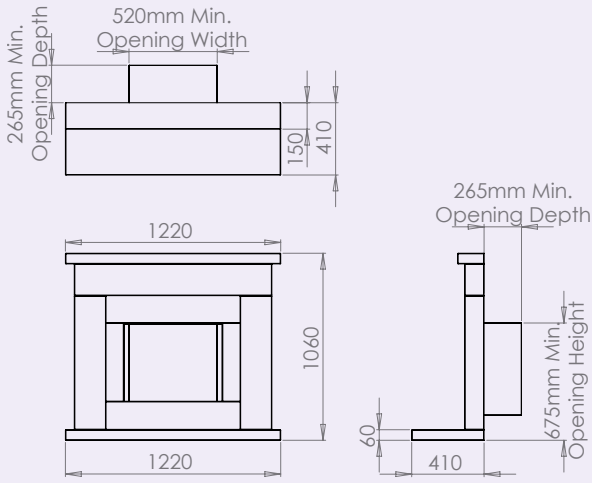
Polaris 1600e
single-sided
arrangement



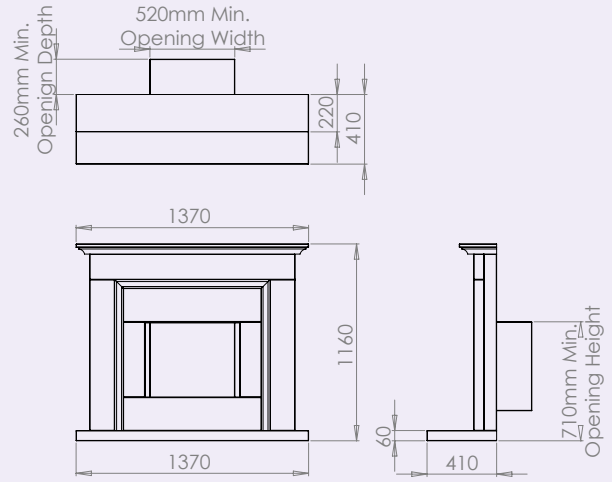
Polaris 1600e
3-sided
arrangement



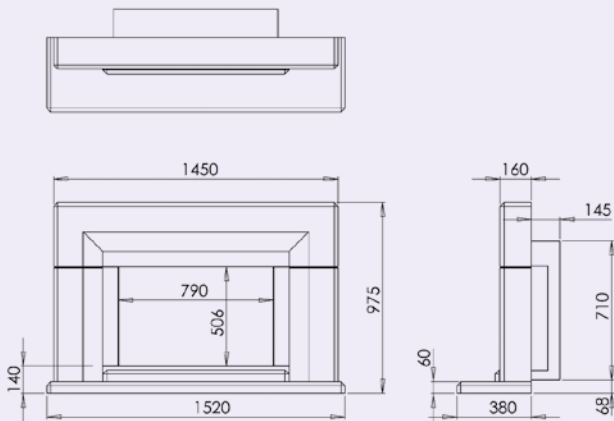
i560e Slimline in Beckford Suite



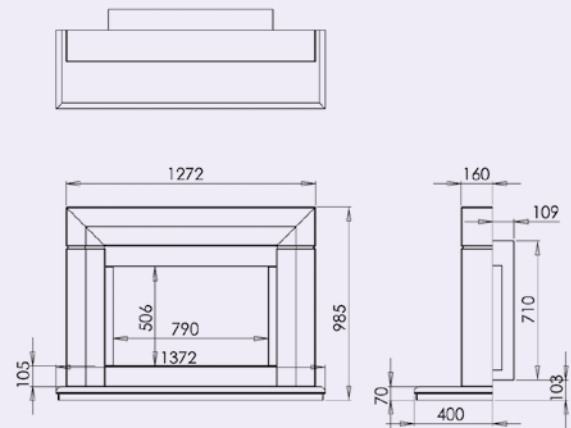
i560e Slimline in Aylesbury Suite



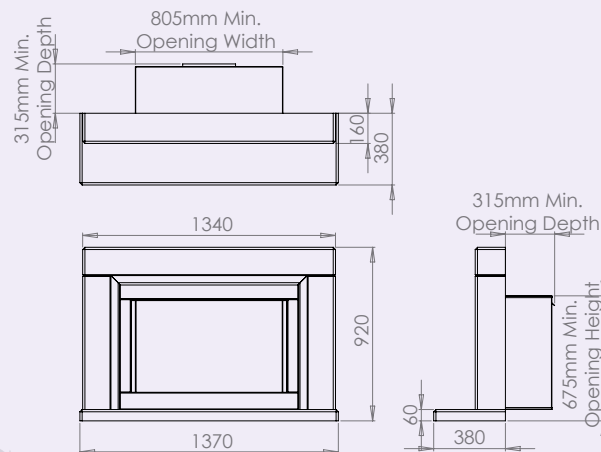
i790e Slimline in Edgemond Suite



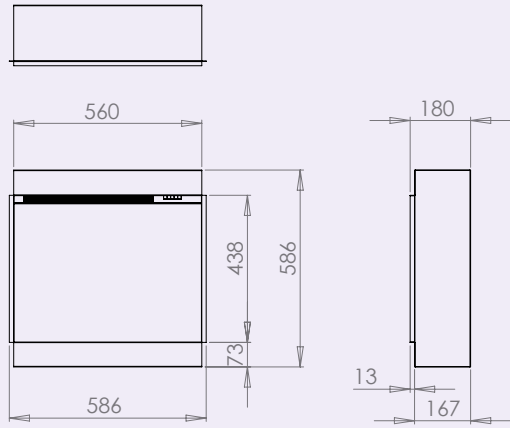
i790e Slimline in Wave Suite



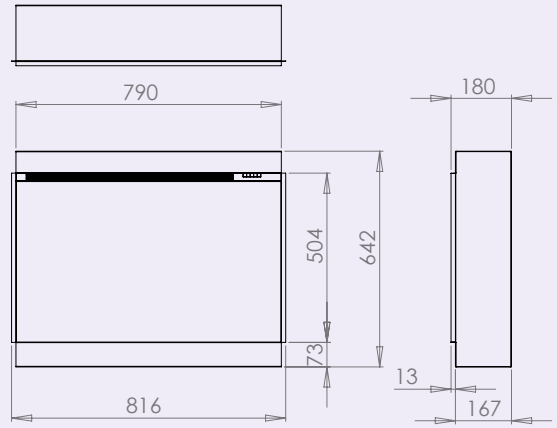
i790e Slimline in Coalport Micro Marble Suite



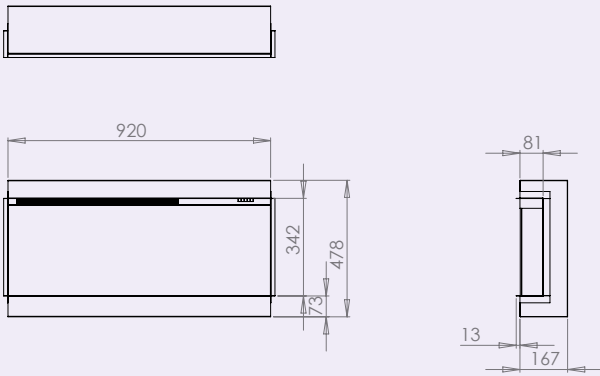
i560e Slimline



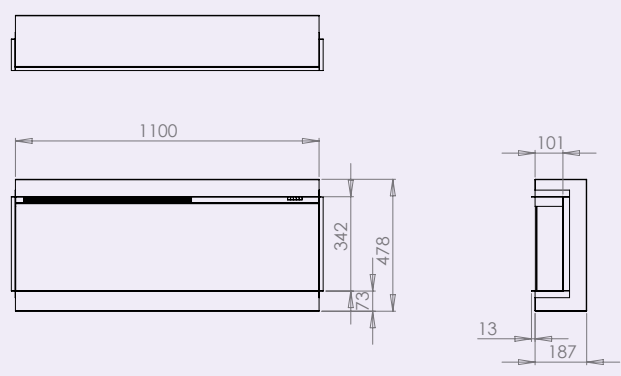
i790e Slimline



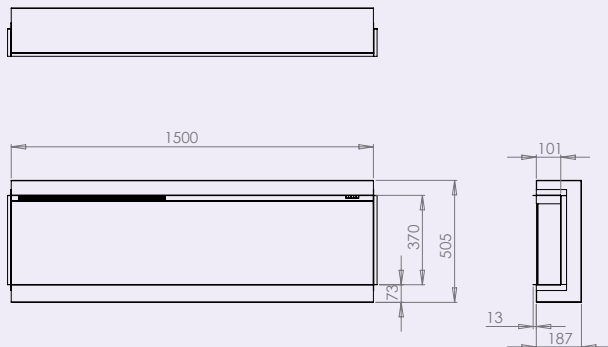
i920e Slimline



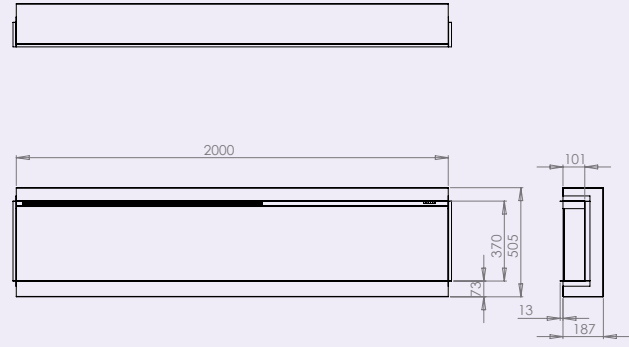
i1100e Slimline



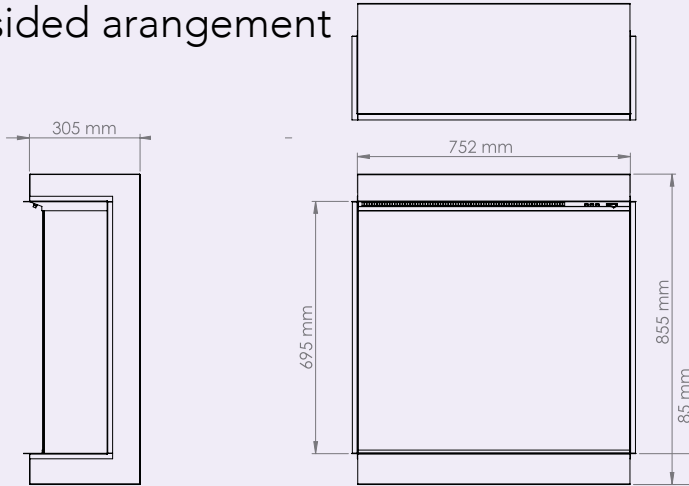
i1500e Slimline



i2000e Slimline



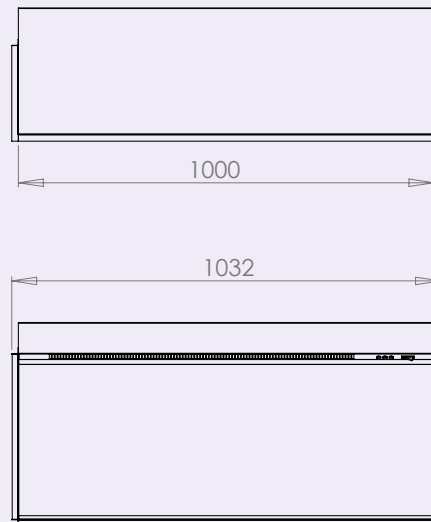
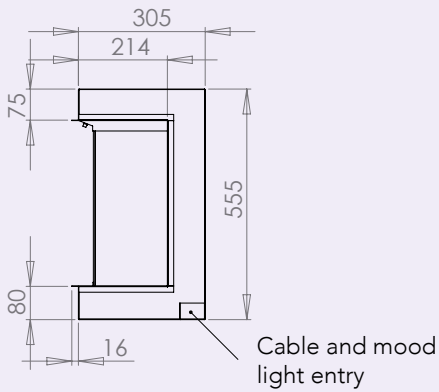
i750e Deep
 three sided arrangement



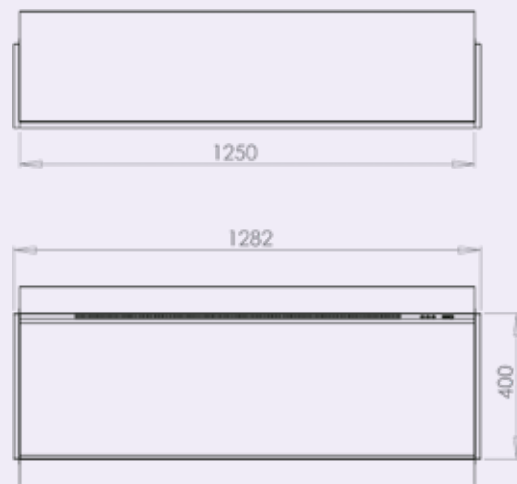
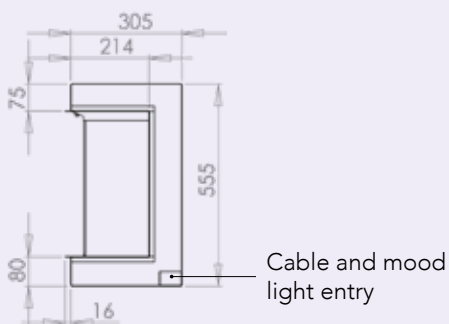
Scan this for
 instruction videos
 on YouTube



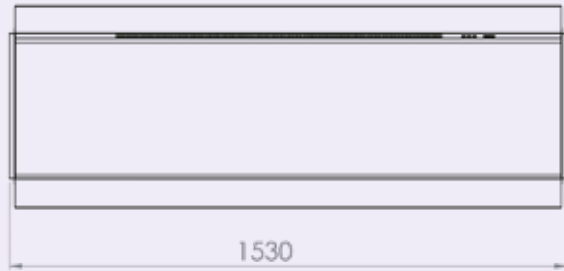
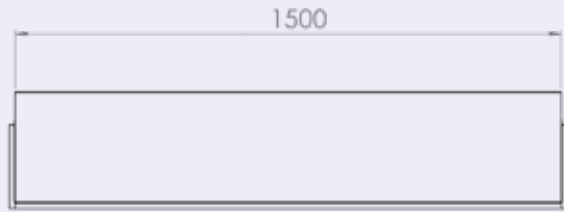
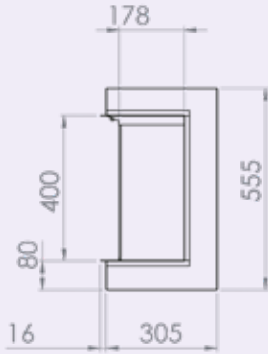
i1000e Deep
 three sided arrangement



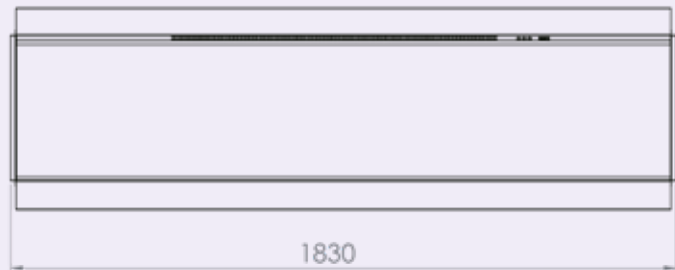
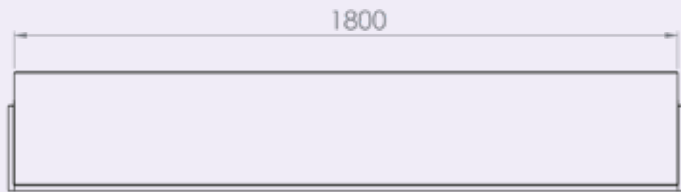
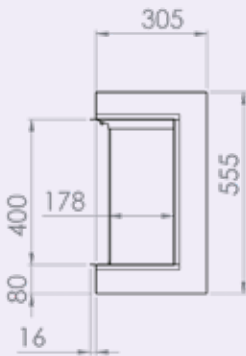
i1250e Deep
 three sided arrangement



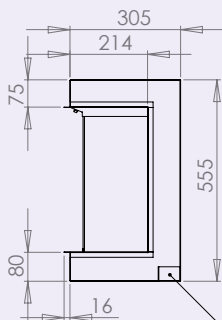
i1500e Deep
three sided arrangement



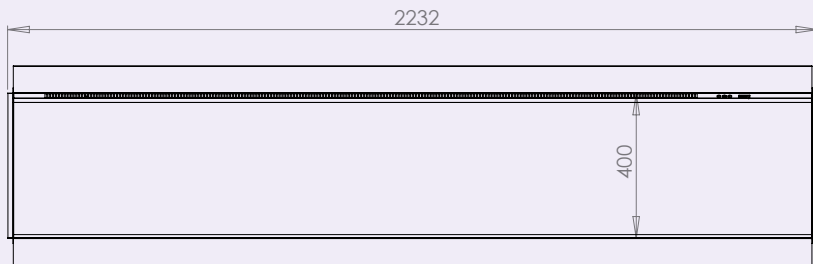
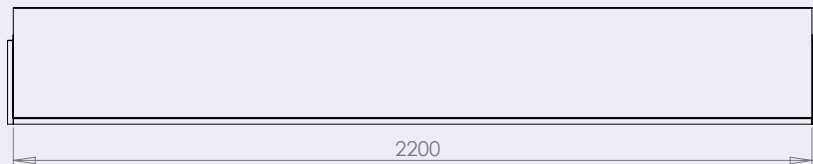
i1800e Deep
three sided arrangement



i2200e Deep
three sided arrangement



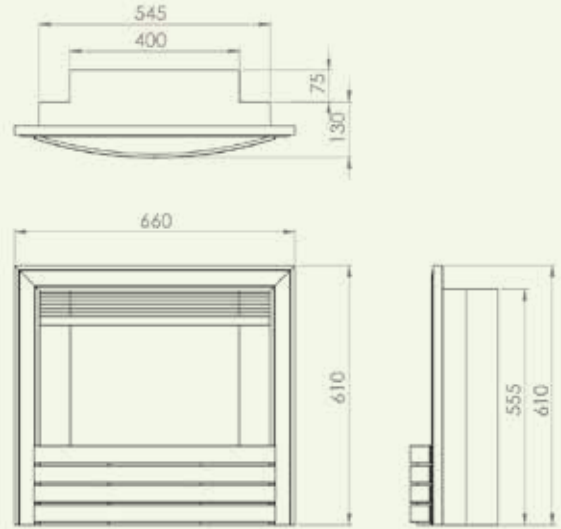
Cable and mood light entry





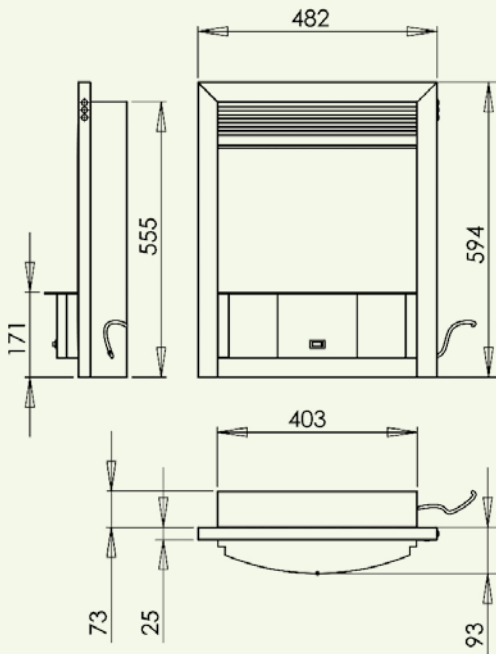
4D Ecoflame22

Without spacer



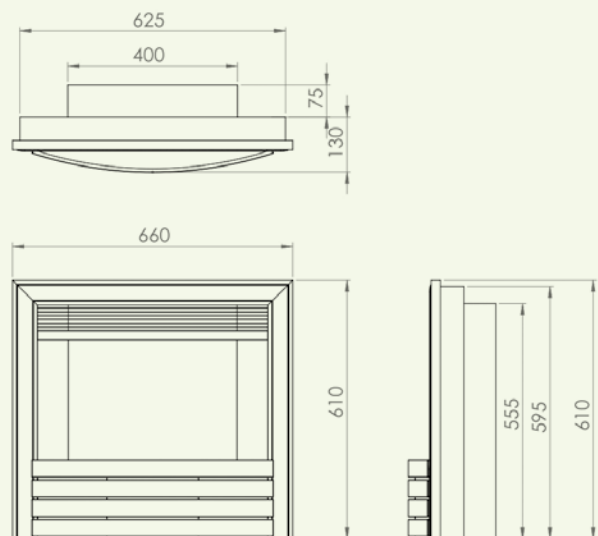
3D & 4D Ecoflame™

Ultra-realistic flame effect



4D Ecoflame22

With spacer, can be fitted into a 16" opening

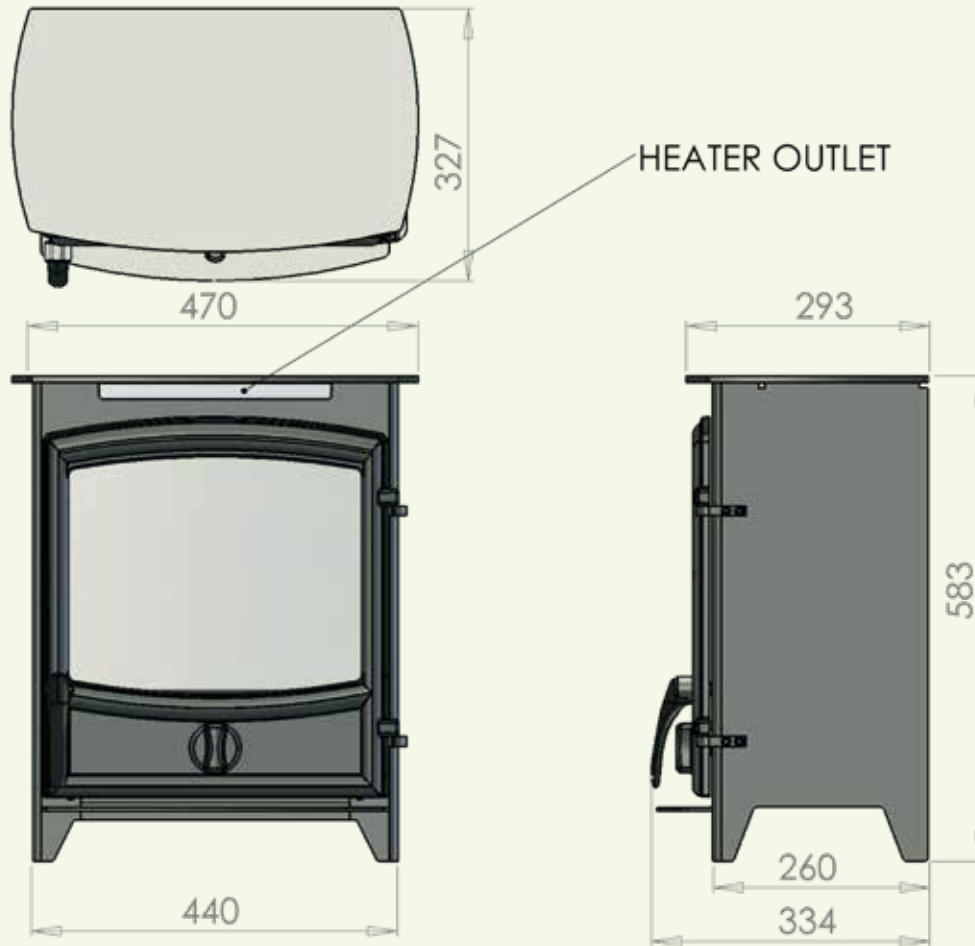


NOTE: Additional standoff spacers are provided for use when TRIM LIGHTS are required.

3D Ecoflame™ Stoves

Dimensions on Log Store

Height: 785mm
Width: 444mm
Depth: 300mm



NOTE: All electric stove models have the same dimensions (curved door shown)



3D & 4D ECOFLAME™ TRIM & FASCIA OPTIONS

Elite Fascia

Only the Elite Fascia is compatible with our optional LED Mood Lighting.



Brass / Black



Chrome / Black



Satin / Black



Chrome / Chrome

Prestige Fascia



Nickel/Chrome



Nickel/Black



Chrome



Brass

Standard Trim + Cast Gate Fret

Cast Arch Fascia



Black



Chrome



Brass

Square Cast Fascia



Pewter



Gun Metal



Brass



COMPANY CERTIFICATIONS

UK CA The UKCA (UK Conformity Assessed) mark is the UK product mark that replaces the CE mark for products being placed on the market in Great Britain (England, Wales and Scotland). It covers most products that previously required the CE mark. All our fires comply to this.



Gas Safe Register is the mandatory national competent persons scheme to allow work on gas fittings and appliances in customers' homes. Our service and most of the sales team have completed the regular training courses and sit the regular exams to ensure our customers have the best support and service.



SIA Ecodesign Ready marking is an independent scheme run by the Stove Industry Alliance to verify and independently demonstrate that wood burning stoves already meet the strict requirements of the 2022 EU Ecodesign Directive for performance and emissions. HETAS administer this on behalf of the SIA.



ISO9001 is the internationally recognised standard for Quality Management Systems which in our case includes the activity of product design and development as well as production, sale and support functions. Annual independent audits and certification ensure continued compliance in producing consistent quality products.



HHIC, the Heating and Hot Water Information Council is a trade body representing the UK gas fire industry. As part of the Energy and Utilities Alliance, within the HHIC we have an input into EU and UK standards committees, communicate with Government departments and keep abreast of serious issues affecting the gas fire industry.



ISO14001 is the internationally recognised standard for Environmental Management Systems. Once again this independently audited and certified system makes sure that we are regularly monitoring and reviewing the impact of the business and its products to ensure we minimise negative impacts and promote best practice.



SIA, the Stove Industry Alliance is the UK trade body for the solid fuel stove industry. C&J are members of the Executive Committee and currently chair the Technical Committee enabling input into UK and EU standards committees and lines of communication into Government departments and keeping up to date on a wide range of issues affecting the industry.



ClearSkies is a certification mark for Emissions and Energy Performance of domestic wood & solid fuel stoves and fireplaces. clearSkies ratings, namely the certification levels, will show appliances that meet defined emissions and efficiency thresholds that exceed the minimum requirements set by the ecodesign regulation.



DEFRA exemption is the mechanism where our wood burning stoves are checked and certified to comply with the Clean Air Act and therefore allowed to be used in smoke control zones throughout the UK. Involving a strict test programme and independent report, this is then thoroughly assessed by DEFRA advisors before being accepted.



CE marking of products is mandatory for electric fires and stoves in Europe. We always invest in independent testing and certification to ensure our products meet all necessary requirements for the regions we operate in.



Charlton & Jenrick^{LTD}

