

HITZE ALBERO AL14C.HD TRIPLE CRISTAL

Chimenea de tres caras ALBERO AL14C.H-D: diseño moderno, alta eficiencia energética y vista panorámica para un hogar cálido y elegante.



[Ver más información online](#)

BASIC INFORMATION ABOUT THE PRODUCT



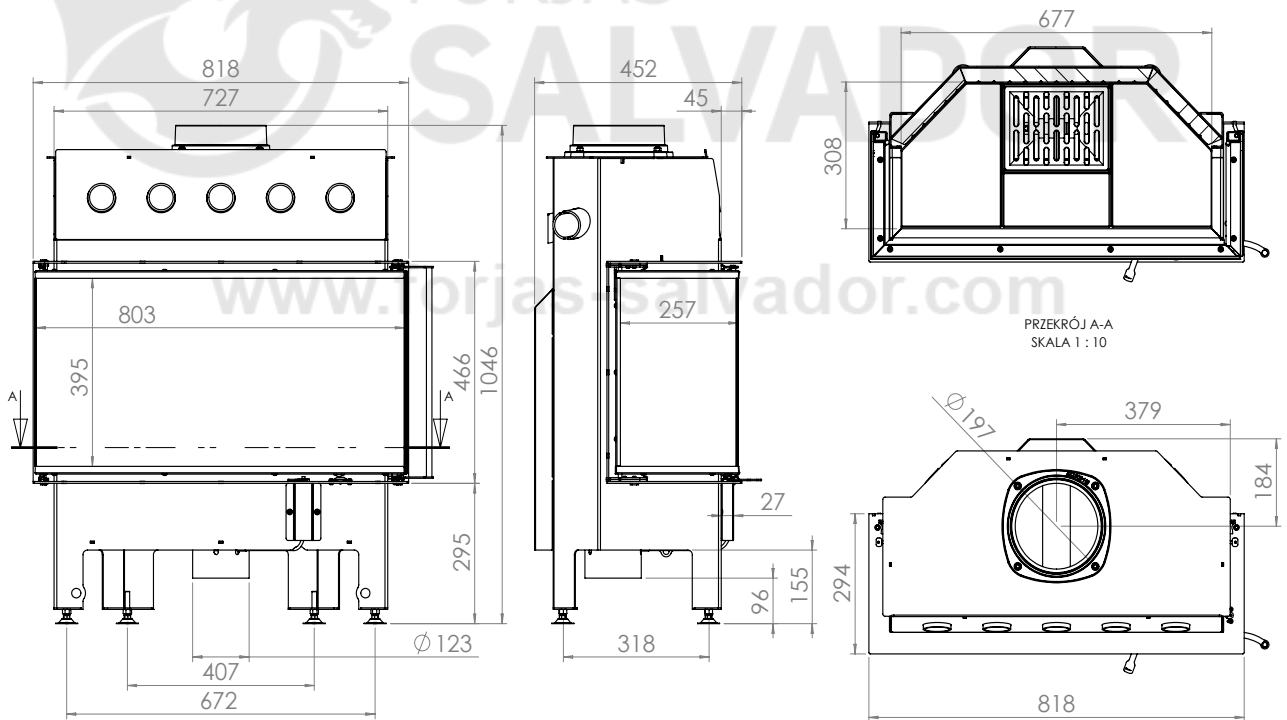
- Three-glazed fireplace insert, three-sided view of the fire.
- Possibility of any modification of the glazing and selecting the Decor, curved glass or double glazing option.
- Inserts made of high-quality P265GH boiler steel, which is resistant to continuous operation at elevated temperatures. A reinforced door profile was used.
- Production is carried out using a modern fleet of machines: welding robots, press brakes, laser cutting machines.
- It meets restrictive exhaust emission standards and the ECODSIGN directive thanks to the use of an exhaust gas after-combustion system and high efficiency.
- The innovative ventilated handle protects against burns. Suitable for houses with heat recovery.
- A built-in intake with a damper allows for smooth, integrated regulation of the amount of air supplied.
- The air curtain provides a „clean glass“ effect, and easy cleaning is provided by a cast iron grate with a removable ash container.

Nominal power [kW]	14
Heating load range [kW]	7,0-18
Thermal efficiency [%]	83
CO emission (at 13% O2) [g/m3]	0,032
Pollen emission [g/m3]	0,845
Average fuel consumption [kg/h]	8
Recommended dimensions of outlet grilles [cm2]	980-1120
Recommended dimensions of inlet grilles [cm2]	560-910
Glass dimensions [mm]	803 x 425 x 257
Flue diameter [mm]	197
Inlet diameter [mm]	123
Weight [kg]	148
Efficiency factor	111,4

www.forjas-salvador.com



TECHNICAL DRAWING AND DIMENSIONS



ALBERO

AL14C.H-D