

GAZCO CL5

Estufa eléctrica independiente con diseño curvo, efecto llama LED, 2?kW, mando remoto y troncos decorativos. Elegante, compacta y sin instalación.



[Ver más información online](#)

Yeoman

A NATURAL WARMTH

Yeoman CL

Electric Range



Instructions for Use, Installation & Servicing

For use in GB & IE (Great Britain & Republic of Ireland).



IMPORTANT

PARTS OF THE OUTER CASING OF THIS APPLIANCE ARE CONSIDERED BY THE MANUFACTURER TO BE A WORKING SURFACE WHICH BECOMES HOT WHEN THE HEATER IS SWITCHED ON. IT IS THEREFORE RECOMMENDED THAT A FIREGUARD COMPLYING WITH BS 8423 (LATEST EDITION) IS USED IN THE PRESENCE OF YOUNG CHILDREN, THE ELDERLY OR INFIRM.

**THE HEATER OUTLET GRILLE BECOMES VERY HOT WHILST IN OPERATION.
DO NOT COVER THE OUTLET GRILLE OR ANY PART OF THE APPLIANCE.**

For use with 230V 50Hz electricity supply only.

Please read these instructions carefully before installation and keep them in a safe place.

They will be needed when maintenance or servicing is required.

THIS APPLIANCE MUST BE EARTHED

This product is only suitable for well insulated spaces and occasional use.

Contents

Covering the following models:

CL3	CL5	CL5 Midline	CL5 Highline	CL8
YM681-196	YM681-331	YM681-342	YM681-353	YM681-374

User Instructions.....3

- 1. Important Information & Health and Safety..... 3
- 2. Operating Instructions 4
- 3. Maintenance..... 8

Installation Instructions..... 11

- Technical Specifications 11
- Appliance Dimensions 12

Installation..... 14

- 1. General..... 14
- 2. Locating the Appliance 14
- 3. Fitting the Appliance 14
- 4. Fuel Effect 15
- 5. Completion of Assembly..... 16

Servicing 18

- 1. Fault Finding..... 18
- 2. How to Wire a Plug 18
- 3. Servicing Requirements 19
- 4. Cast Front & Exterior Glass 19
- 5. Removing the LED Light Bar 20
- 6. Removing the Glass Side Panels 21
- 7. Removing the Fuel Bed 21
- 8. Removing the Interior Glass Screen 21
- 9. Replacing the Fuel Bed Effect Spindle 22
- 10. Replacing the Fuel Bed LED Boards 22
- 11. Removing the Effect Screen 23
- 12. Replacing the Flame Effect Spindle 23
- 13. Replacing the Flame Effect LED Board 24
- 14. Replacing the Fuel Bed Motor 24
- 15. Replacing the Flame Effect Motor 25
- 16. Replacing the Heater Assembly 25
- 17. Replacing the PCB 26
- 18. Replacing the RF Receiver 26
- 19. Pairing the Remote Control to the Appliance..... 27
- 20. Resetting the Remote 27

Wiring Diagram.....28

Spare Parts List.....29

Information Requirement - Electric Heaters30




Registration No WEE/DH1656ZW
In accordance with European Directive 2012/19/EU, waste electrical and electronic equipment (WEEE) must not be disposed of with household waste.

At the end of its useful life please take this product to an appropriate recycling centre or collection point. You can find your nearest recycling centre by using the bank locator at www.recycle-more.co.uk for UK customers, www.weeeireland.ie for customers in the Republic of Ireland, or by contacting your local authority.

User Instructions

1. Important Information and Health and Safety

- 1.1 **Read all of the instructions carefully before using the appliance.**
- 1.2 **Remove all packaging and dispose of at an appropriate recycling facility.**
- 1.3 Do not locate this appliance immediately below a fixed socket outlet.
- 1.4 Parts of the outer casing of this appliance are considered by the manufacturer to be a working surface which becomes hot when the heater is switched on. You must use a suitable fire guard to protect children, the elderly and the infirm.
- 1.5 Do not use this appliance in the immediate surroundings of a bath, shower, swimming pool or any other area where the appliance could come into contact with water or humidity, e.g. a bathroom.
- 1.6  **WARNING! DO NOT COVER**
Do not allow the appliance to be covered or let the air inlet/outlet become obstructed as the appliance may overheat. Please note the warning symbol on the appliance (see above).
- 1.7 **For indoor use only.** This appliance is not suitable for use outside the house.
- 1.8 This appliance must stand on a clean, level, firm surface. Do not stand the fire on a carpet. Ensure that furniture, curtains etc. are positioned no closer than 1m and the fire stands on a surface that can withstand temperatures of 90°C for prolonged periods. Do not allow rugs to be placed within 500mm of the front of the appliance.
- 1.9 Where the electricity supply cable has to pass through a fire place, stone surround etc. ensure suitable rubber bushes are fitted at possible wear points.
- 1.10 If installed in an open fireplace, blank off the chimney to reduce the risk of a back draught which can cause the safety cut-out to operate.
- 1.11 Keep the power cord away from hot surfaces and hot conditions. Do not route the power lead in front of the appliance.
- 1.12 When the fire has been installed the position of the plug must be accessible.
- 1.13 If the electricity supply cable is damaged do not use the appliance until it has been replaced. For safety reasons the replacement has to be carried out by a Yeoman service agent or a similarly competent electrician.
- 1.14 **CAUTION:** In order to avoid a hazard due to inadvertent resetting of the thermal cut-out, this appliance must not be supplied through an external switching device, such as a timer, or connected to a circuit that is regularly switched on and off by the utility.
- 1.15 Do not operate the appliance if it is damaged.

- 1.16 Repairs of electrical appliances must only be performed by an electrical engineer. Should the appliance fail to operate, or in case of any damage, please contact the retailer from whom the appliance was purchased.
- 1.17 This appliance can be used by children aged from 8 years and above and persons with reduced physical, sensory or mental capabilities or lack of experience and knowledge if they have been given supervision or instruction concerning use of the appliance in a safe way and understand the hazards involved. Children of less than 3 years should be kept away unless continuously supervised.

Children aged from 3 years and less than 8 years shall only switch on/off the appliance provided that it has been placed or installed in its intended normal operating position and they have been given supervision or instruction concerning use of the appliance in a safe way and understand the hazards involved. Children aged from 3 years and less than 8 years shall not plug in, regulate and clean the appliance or perform maintenance.

However Yeoman recommend:

This appliance is not intended to be used by persons under the age of 12, persons with reduced physical, sensory or mental capabilities or persons with lack of experience and knowledge in the safe operation of the appliance.

The appliance may be operated by persons above the age of 12 provided they have been instructed in the safe use of the appliance and that they understand the hazards involved. Persons above the age of 12 may also operate the appliance under the supervision of a responsible adult.

Parts of this appliance become hot whilst in operation and under no circumstances should persons under the age of 12 be left alone with the product when it is in operation unless a suitable fireguard is used to protect them against the possibility of coming into direct contact with the appliance.

Children shall not play with the appliance.

Cleaning and user maintenance shall not be made by children without supervision.

User Instructions

2. Operating Instructions



WARNING! Do not operate the appliance if it is damaged or has malfunctioned. If you suspect the appliance is damaged or has malfunctioned call a qualified service engineer to inspect the appliance, and replace any part of the electrical system if necessary, before reuse.

Do not disconnect the power at the mains supply whilst the appliance is running. Use the functions on the remote to turn the fire off and ensure the mains switch has been moved to the off position before disconnecting.

GENERAL

2.1 The appliance can be operated by the radio frequency handset or the manual controls which are behind the plinth, see Diagram 1.



NOTE: To use both remote and manual functions the manual on/off switch must be in 'ON' position. In order to prevent the product becoming too hot, there is a 10s delay when turning on the heater and a 10s delay when turning off the heater fan.

The manual button controls basic functions, not a full range of controls. Use the remote hand set to carry out all functions.

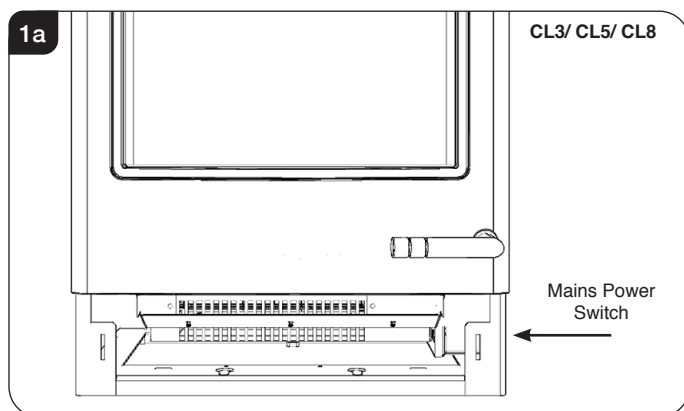
PREPARATION BEFORE USE

Batteries:

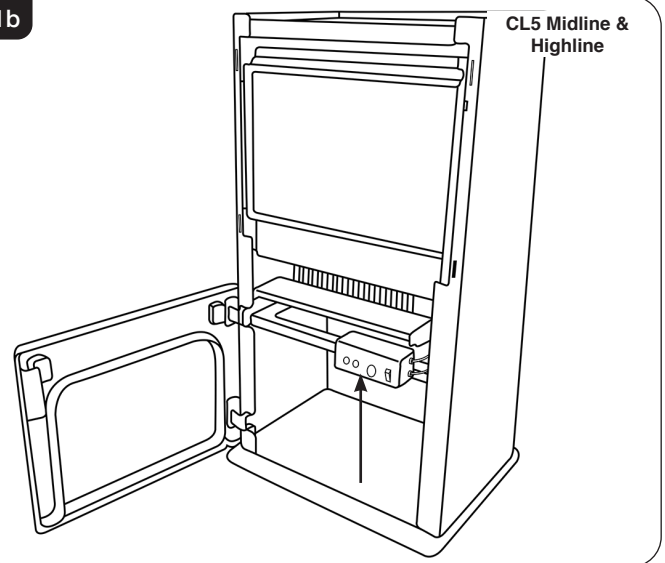
- 2.2 Ensure that the handset batteries are new and inserted correctly.
- 2.3 Dispose of old batteries at an appropriate recycling facility.

LOCATION OF POWER SWITCH

2.4 The mains power switch is located on the control panel located on the right-hand side (CL3, 5, & 8 - Diagram 1a) or behind the door (CL5 Midline & Highline - Diagram 1b), see Section 2a.



1b

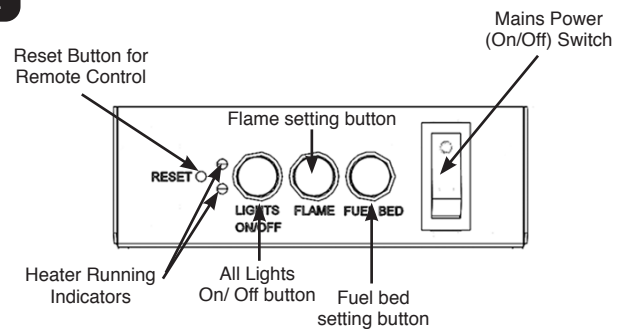


- 2.5 Switch ON (—) before operating either the remote or manual controls.
- 2.6 A long beep is heard to indicate the fire is ready for use.

2a. Manual Control Panel

2a.1 The manual controls on appliance are located behind the plinth on the right hand side of the appliance, see Diagrams 1 & 2.

2



- 2a.2 Turning on the appliance with the main power switch on '—' position. A long beep will be heard.
- 2a.3 Press "LIGHTS ON/OFF" to turn on or turn off both the flame and fuel bed at the same time.
- 2a.4 There are 3 flame colour options:

Press "FLAME" button to select the colour of flame (3 kinds of flame colour with flame) or return to the OFF position.
- 2a.5 Press "FUEL BED" button to select the colour of fuel bed (14 kinds of fuel bed) or return to the OFF position.

Note: The appliance will lose the memory for the light functions when the switch is set to the Off Position or the remote runs out of power.

User Instructions

Heater Running Indicators (see Diagram 2)

2a.6 When the fan heater is used in conjunction with the flame or fuel bed effects the heater running indicators will light up for 10 seconds.

The LEDs will illuminate for 10 seconds if the flame or fuel bed effect is On.

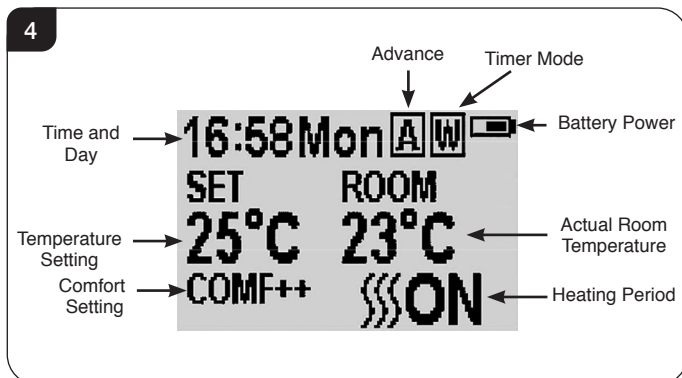
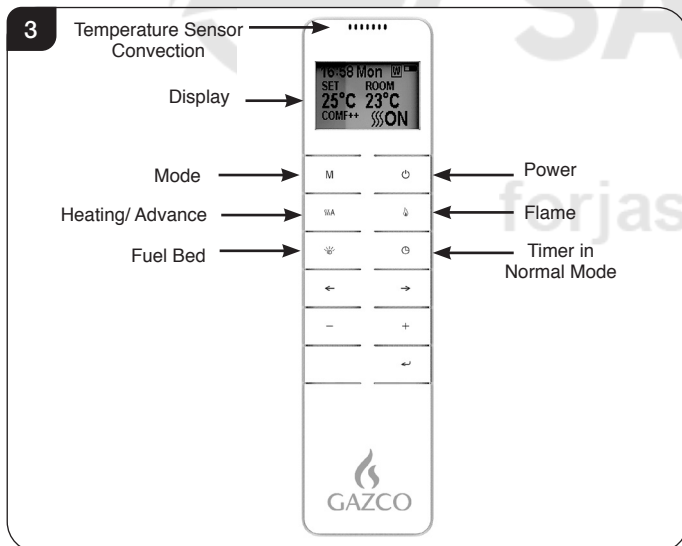
If the fan heater is used independently, the heater running indicators will stay on.

Reset Button for Remote Control

2a.7 If the handset loses signal or needs to be replaced then, see Section 19 in Servicing Section for details.

2b. Remote Controls

The remote control should be left on a flat surface in the room where the appliance is installed and away from any direct flow of hot air.



Signal Code

2b.1 The remote control works by radio signal. The handheld transmitter is configured in the factory with a unique signal code.

IMPORTANT: If the handset loses signal or needs to be replaced, see Section 19 in Servicing Section for details.

Turn on/off

2b.2 Press button to turn on the flame effect.

2b.3 Press button to turn off all the functions under the normal heating control mode including flame effect and fan heater.

2b.4 Press button to turn off the flame effect under daily and week timer heating mode.

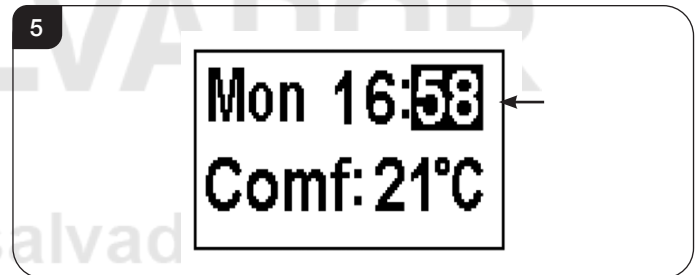
Week Days/ Time/ Comfort Temperature and Unit Setting

On activation it is recommended that the clock is reset to the correct time to ensure accuracy of the appliance operation.

2b.5 Hold the **M** button for 3 seconds to enter the setting screen.

2b.6 Press the '**<**' or '**>**' button to choose setting to change.

The selected character will be highlighted, see Diagram 5.



2b.7 Press the '**+**' or '**-**' button to adjust the number.

Time: 24-hour system.

Select Comfort temperature from 15-25°C.

Temperature unit: °C/°F.

2b.8 Press the button for 3 seconds or wait 10 seconds to save and exit the week, time and heating temperature setting.

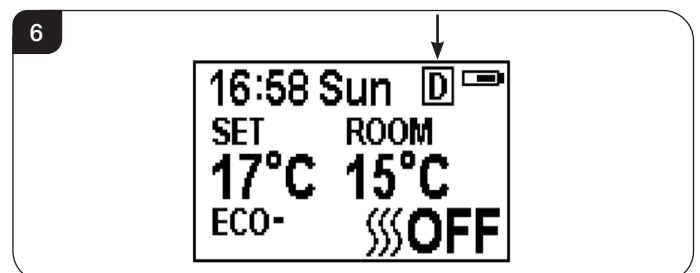
Daily Timer Heating

2b.9 The following heating periods have been preset, these can be altered if desired:

06:00 until 08:00

17:00 until 22:00

2b.10 Press **M** until **D** shows at the upper right corner of the screen to enter the daily timer heating mode.



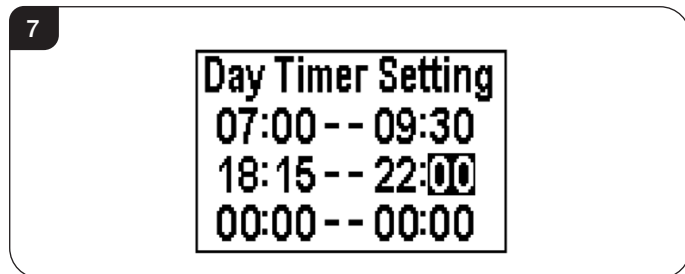
2b.11 Hold the button for 6 seconds to enter the daily heating setting.

A maximum of 3 timed heating periods can be set per day.

User Instructions

2b.12 Press '←' or '→' to choose hour or minute.

2b.13 Press '+' or '-' to set the number.
The minute increment / decrement by 15min per press.



2b.14 Hold the button for 3 seconds or wait for 10 seconds to save and exit the heating time period setting.

2b.15 Check the timer setting. Press to check the daily timer mode.

2b.16 If the heating needs to be turned off, it will be necessary to go back to the Normal Control Mode to it turn off.

When in Daily Timer Mode switching the appliance off with the remote will stop the light output. The heat output will continue according to the timer settings.

Adjusting the Set Temperature

2b.17 Press the '+' or '-' button to increase or decrease the temperature on the basis of COMF temperature.

COMF means the actual temperature is the same as setting.

ECO means the actual temperature is 2°C lower than the setting temperature.

ECO- means 4°C lower.

COMF+ means 2°C higher.

COMF++ means 4°C higher.

Adaptive start control

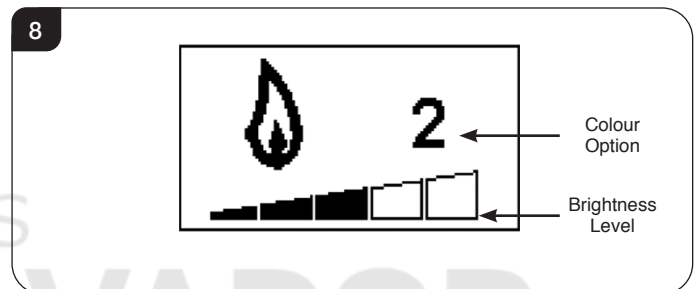
According to room temperature and set-pointed temperature, the heater will automatically determine the appropriate time to heat to ensure that it will reach the set-pointed temperature in the set time (up to 45 minutes prior to the set time).

Flame Colour Adjustment

2b.18 Press button to enter the flame adjustment screen.

There are 3 flame colour options, indicated by the number shown in Diagram 8.

There are 6 levels of brightness, including off. This is indicated by the bar, with the blank bar indicating off, see Diagram 8.



2b.19 Press the '←' or '→' button to cycle through the flame colour options.

2b.20 Press the '+' button to increase the flame brightness.

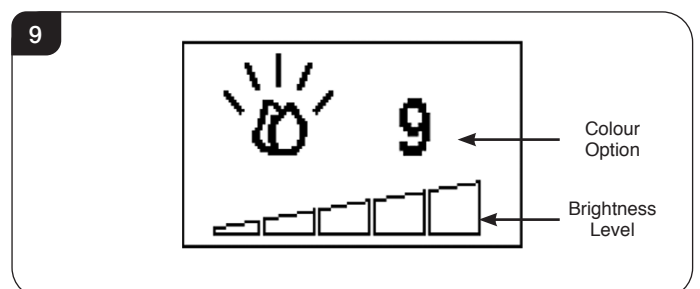
Press the '-' button to decrease the flame brightness until off.

Fuel Bed Colour Adjustment

2b.21 Press to enter the fuel bed light adjustment screen.

There are 14 fuel bed colour options, indicated by the number shown in Diagram 9.

There are 6 levels of brightness, including off. This is indicated by the bar, with the blank bar indicating off, see Diagram 9.



2b.22 Press the '←' or '→' button to cycle through the fuel bed colour options.

2b.23 Press the '+' button to increase the fuel bed brightness.

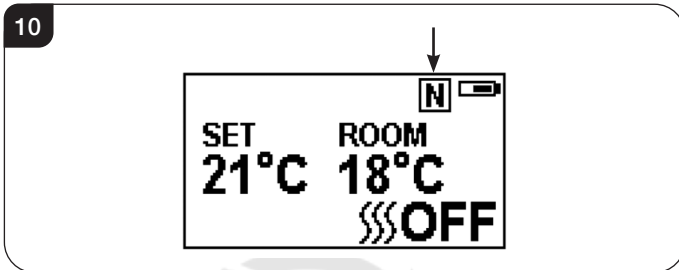
Press the '-' button to decrease the fuel bed brightness until off.

User Instructions

Normal Control Mode

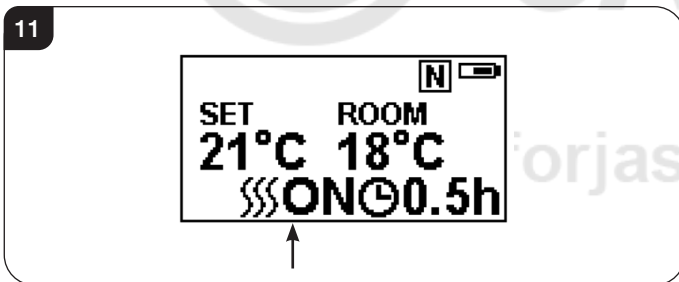
2b.24 Normal Control Mode is the default setting.

Alternatively press **M** button until the **N** logo is shown at the upper right corner of the screen, see Diagram 10.



2b.25 Press the '+' or '-' button to adjust the setting temperature from 17 °C to 25°C.

2b.26 Press **[[[A** button to turn the heat on/off, **[[[ON** or **[[[OFF** will show at the lower right corner of the screen, see Diagram 11.



Note: It is normal for the fan heater to stop running for periods of time. This happens if the room temperature is higher than the temperature set on the control.

The heater indicator will be turned off after 10s if the flame is switched ON. The heater indicator will stay ON if only the heating function is used.

When in Normal Control Mode switching the appliance off with the remote will stop both the light and heat output.

Count Down Timer

This setting is only in normal heating control mode. It allows the appliance to be returned to Standby after a set period of time. The heater must be switched on to use this function.

2b.27 Press **⌚** to cycle through the setting from Off and 0.5 hours to 9 hours. Timer logo and remaining time will show on the screen.

The heater of appliance can be automatically run by using daily timer and weekly timer on the remote.

Battery

The battery power level is indicated at the top right of the remote control screen, see Diagram 3.

	Battery Full	No action required
	Battery Half Power	Ensure new batteries are available.
	Battery Empty	Replace batteries immediately

Battery replacement is recommended after 1 year. The Remote requires two 1.5V alkaline AAA batteries.

Changing the batteries will not affect the Timer Mode settings, however, the clock may need adjusting.

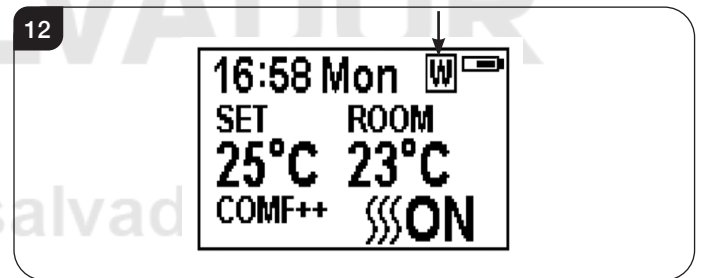
Week Timer Heating

2b.28 The following heating periods have been preset, these can be altered if desired:

From Monday to Friday
06:00 until 08:30
17:00 until 22:00

From Saturday to Sunday
06:30 until 09:30
11:00 until 13:00
17:00 until 22:00

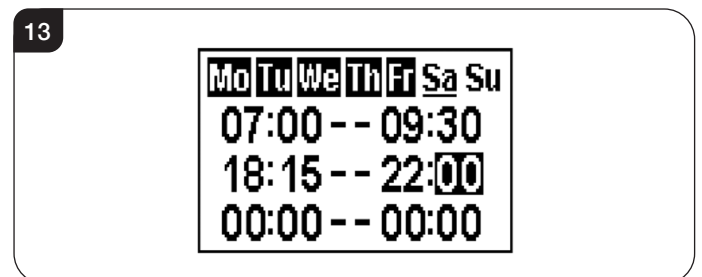
2b.29 Press **M** until **W** shows at the upper right corner of the screen to enter the week heating mode.



2b.30 Hold the **←** button for 6 seconds to enter the week timer heating mode setting.

2b.31 Press '**←**' or '**→**' to move the cursor (a flashing underline).

2b.32 Press the **←** button in the corresponding week position to select (the character is highlighted) or cancel (the character is displayed normally) the current setting, the same time period can be selected together.



2b.33 Press the '**→**' button to move the cursor to the time period setting area.

2b.34 Press '**←**' or '**→**' button to choose hour or minute.



2b.35 Press '+' or '-' to set the number.

A maximum of 3 timed heating periods can be set per day.

Minute increment / decrement by 15min per press.

2b.36 Press **←** to set the heating time for the selected day and return to the week line.

User Instructions

- 2b.37 Hold the  button for 3 seconds or wait for 10 seconds to save and exit the heating time period setting.
- 2b.38 Press  '←' or '→' to check the timer setting for the week timer heating mode.
- 2b.39 If the heating needs to be turned off, it will be necessary to go back to the Normal Control Mode to it turn off.

When in Weekly Timer Mode switching the appliance off with the remote will stop the light output. The heat output will continue according to the timer settings.

Adjusting the Set Temperature

- 2b.40 Press the '+' or '-' button to increase or decrease the temperature on the basis of COMF temperature.

COMF means the actual temperature is the same as setting.

ECO means the actual temperature is 2°C lower than the setting temperature.

ECO- means 4°C lower.

COMF+ means 2°C higher.

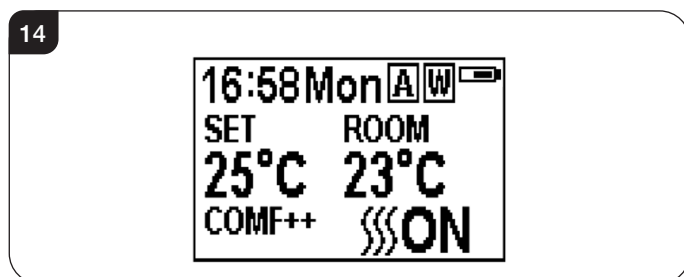
COMF++ means 4°C higher.

Adaptive start control

According to room temperature and set-pointed temperature, the heater will automatically determine the appropriate time to heat to ensure that it will reach the set-pointed temperature in the set time (up to 45 minutes prior to the set time).

Advance mode


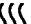
- 2b.41 The heating state can be advanced to the next period is under both the daily and week timer heating mode.



If the heater is on in the current period, pressing the button will turn the heater off.

If the heater is off in the current period, pressing the button will turn the heater on.

Whether the actual heating will be on/off also depends on the room temperature and setting temperature.

- 2b.42 Press  **A** to enter the Advance mode under the daily and week timer heating mode, **A** will show at the upper right corner of the screen.
- 2b.43 Press  **A** again or timer period ends will exit the Advance mode.

Window open detecting

- 2b.44 When the transmitter detects a rapid drop in room temperature, it will be judged as an open window: the warning icon will be displayed and the heating will be turned off automatically.



- 2b.45 After indoor temperature rise or manual intervention (by operating remote control), it will return to normal working state.

3. Maintenance



IMPORTANT: THE OUTER PANNELLING OF THE CL IS MADE FROM CAST IRON. USE CAUTION WHEN INSTALLING, REMOVING AND STORING AS THE COMPONENTS ARE HEAVY AND SHOULD BE HANDLED CAREFULLY.

- 3.1 **ALWAYS UNPLUG FROM MAINS SUPPLY BEFORE CLEANING OR UNDERTAKING ANY MAINTENANCE.**

GENERAL CLEANING

- 3.2 Only clean the outer casing when it is cold. Do not use abrasive cleaners.

CLEANING FRONTS

- 3.3 Wipe the glass viewing panel with a damp cloth and buff with a lint free duster.

Caution: Do not use abrasive cleaners on the glass panel. Do not spray liquids directly onto any surface of the unit.

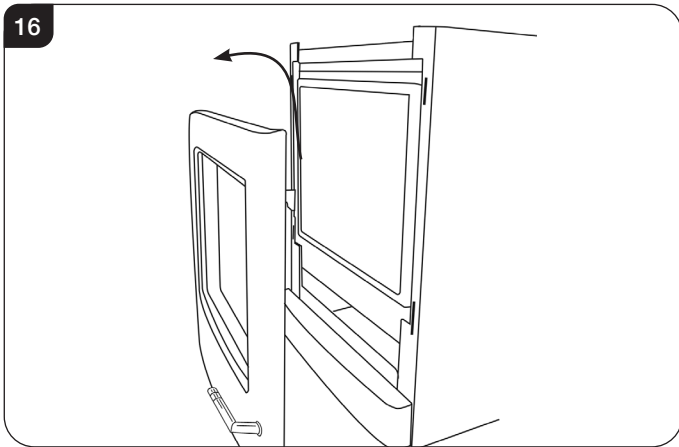
CLEANING THE FUEL EFFECT

To access the fuel effect it will be necessary to remove the glass viewing panel.

- 3.4 Ensure the appliance is unplugged.
- 3.5 Remove the cast top and place carefully to one side.

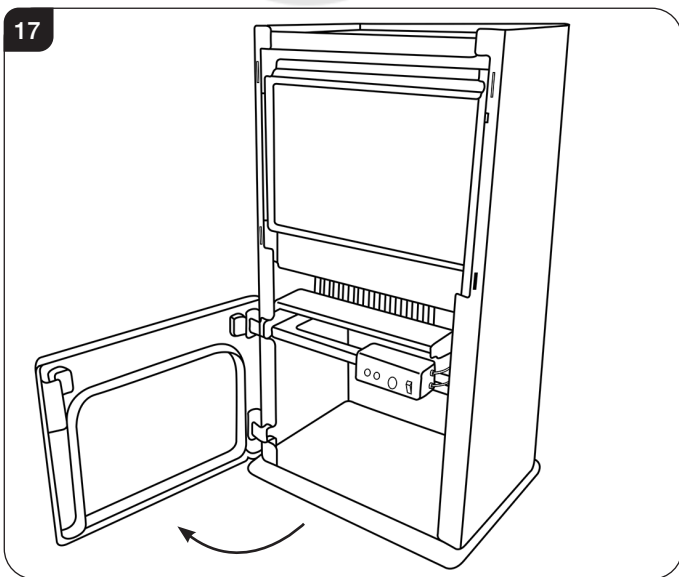
User Instructions

- 3.6 Remove the main door casting to gain complete access to the viewing aperture by lifting the hooks clear of the slots on the front of the appliance, see Diagram 16.



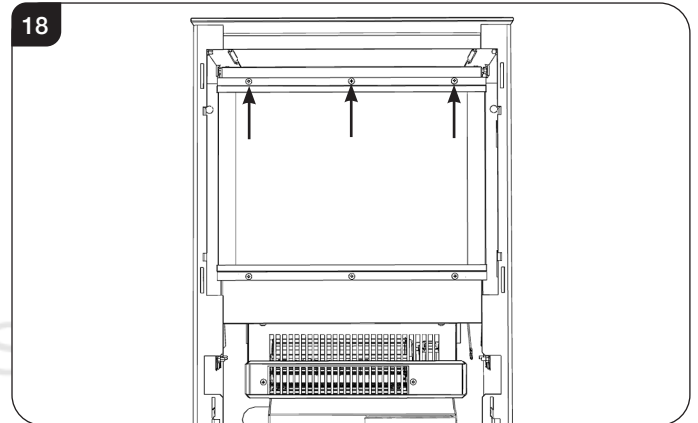
CL5 Midline & CL5 Highline

- 3.7 From the right hand side pull the lower door open, see Diagram 17.

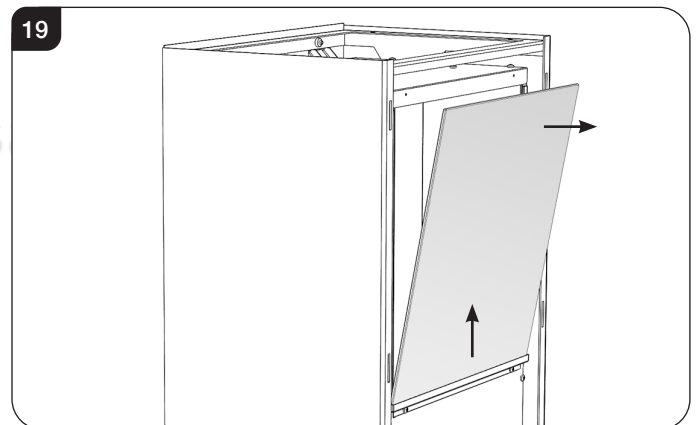


All Models

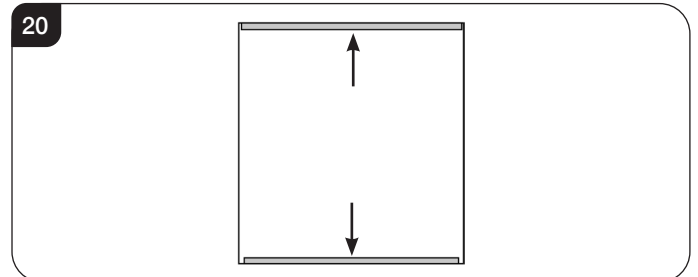
- 3.8 Remove the top 3 screws and bracket securing the front glass to the appliance, see Diagram 18. Take care to support the glass when removing the screws.



- 3.9 Carefully tip the glass forward and lift out of the bottom bracket to remove. Place carefully to one side.



Note: When refitting the glass ensure that the top and bottom glass seals are in position on the glass. The bottom seal may remain in the bottom bracket, if this occurs it will be necessary to carefully extract the seal and centrally reposition on the bottom of the glass before reinstalling.



The fuel effect can now be accessed.

- 3.10 Remove and wash the fuel effect to remove any dust particles. Alternatively clean with a lint free duster. **Ensure that the effect is dry before replacing.**

Replace the fuel effect see Installation Instructions Section 4 for layout.

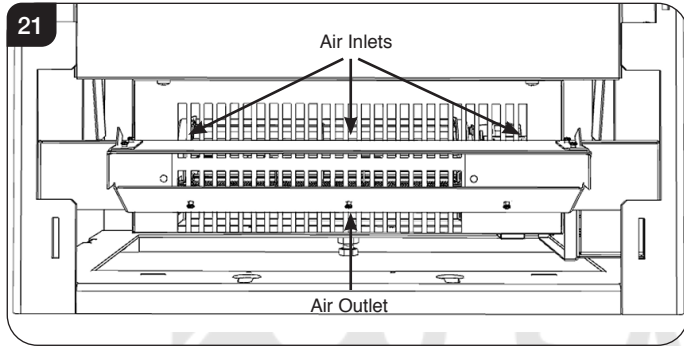
- 3.11 Replace in reverse order.

User Instructions

CLEANING AIR INLETS

- 3.12 Ensure the appliance is unplugged.
- 3.13 Clean the air inlet and outlet grilles regularly with a soft cloth or the nozzle of a vacuum cleaner.

Note: There are air inlets positioned between the inner and outer boxes, ensure that these are cleaned regularly.



Dust build-up can inhibit efficient performance of the fan and lead to the safety cut-out operating.

- 3.14 Keep the area around the appliance clean and free of fluff, dust or pet hair.
- 3.15 In particular, build-up of dust etc. can occur around the heater area. Take particular care to keep this area free from such particles on a regular basis to prevent build-up.

BATTERY REPLACEMENT

- 3.16 When the remote battery is low it must be changed immediately. Install correct replacement and dispose of the old battery carefully at an appropriate recycling facility.

Installation Instructions

Technical Specification

These instructions cover the following models:

CL3	CL5	CL5 Midline	CL5 Highline	CL8
YM681-196	YM681-331	YM681-342	YM681-353	YM681-374

A 230V 13A 50Hz supply is required
Maximum power consumption:
Yeoman CL range: 1500 Watts

THIS APPLIANCE MUST BE EARTHED

A 1.8 metre lead with a BS1363 plug containing a BS1362 13A fuse is supplied. Only use a BS1362 13A fuse with this appliance.

2 x Remote control handset battery (AAA)

PACKING CHECKLIST

Appliance Description	Fixing Kit containing:
Yeoman CL range	1 x Instruction Manual 1 x Handset 2 x AAA Batteries 1 x Power Cable Grey Pebble Effect Clear Pebble Effect Small Glass-Effect Crystals Large Glass-Effect Crystals Log Set

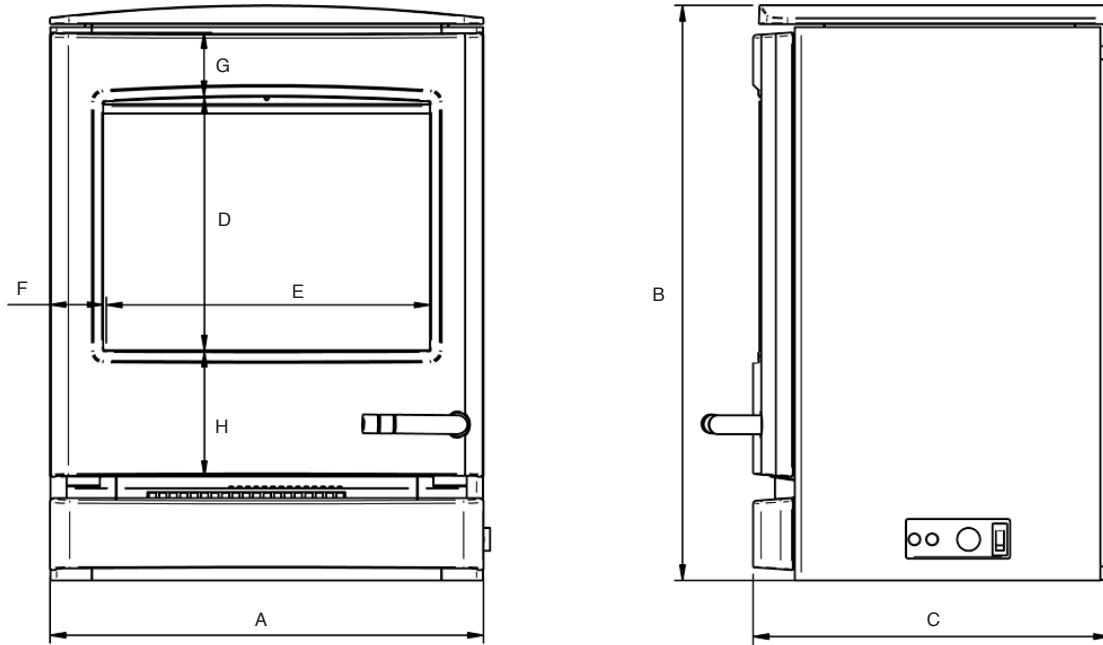
Control System Technical Data

	Main Control Board	Remote Receiver Board	Remote Control
Hardware	RC01-040A05 V1	RF290B V1.2	RF290A-TX V1.3
Software	RC01-040A05 V1	-	RF290C V06.0.HEX
Frequency	-	-	ASK/OOK 433.92MHz
Maximum Transmit Power	-	-	10mW

Installation Instructions

Technical Specification

CL3, CL5, & CL8



Model	A	B	C	D	E	F	G	H
CL3	371	541	323	244	252	60	52	121
CL5	416	552	343	244	311	51	62	121
CL8	553	604	374	274	427	63	68	136

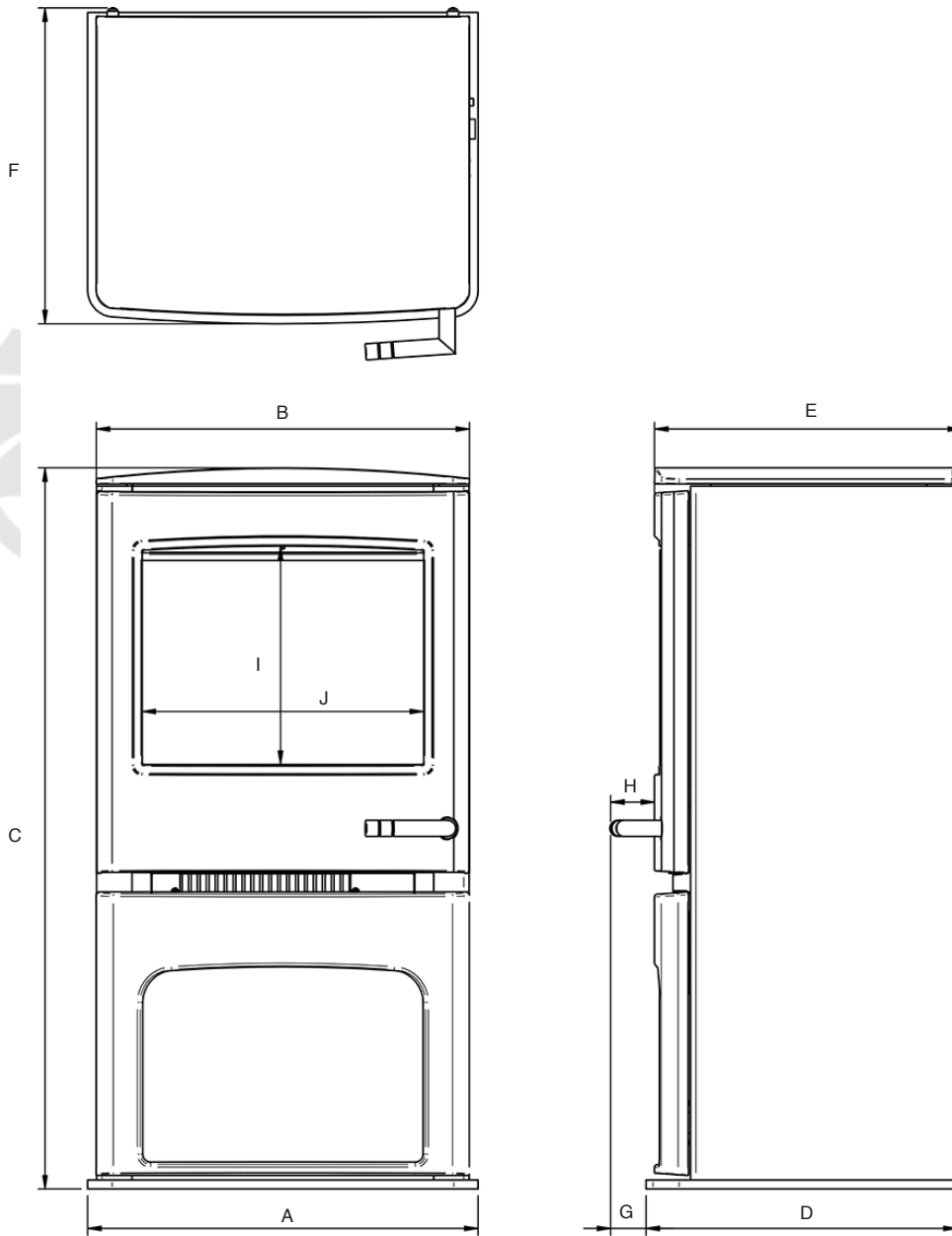
ALL INGLENOOK FIREPLACE OPENINGS:

For all models the dimensions required for an inglenook installation can be calculated by adding 225mm (9") to the height of the appliance and 150mm (6") to each side. An additional 50mm (2") must be added to the depth to provide adequate space behind the appliance.

Installation Instructions

Technical Specification

CL5 Midline & Highline



Model	A	B	C	D	E	F	G	H	I	J
CL5 Midline	435	416	803	347	342	352	39	49	243	314
CL5 Highline	435	416	912	347	342	352	39	49	243	314

Installation Instructions

1. General

1.1 TOOLS REQUIRED

No tools are required to install this appliance.

1.2 UNPACKING THE FIREPLACE

WARNING! DO NOT use this appliance if any part has been exposed to water.

Immediately call a qualified service technician to inspect and to replace any part of the electrical system if necessary.

- 1.3 Open the packaging carefully and remove the polystyrene. Remove and discard the plastic bag. Keep plastic wrapping away from children. Be responsible when handling the packing materials.

- 1.4 Check all parts and accessories are removed before disposing of any packaging. If necessary keep the original packaging for future transport and/or storage.



This appliance is heavy and does not require anchoring to the hearth or floor, but in certain circumstances the appliance can become unstable e.g. when leaning on the appliance. If this is likely, secure the appliance to the hearth or floor with suitably strong fixings.

2. Locating the Appliance

The appliance may be installed virtually anywhere in your home. However, when choosing a location ensure that the general instructions are followed.

- 2.1 For best results, install out of direct sunlight.
- 2.2 If the power cord is damaged contact your Yeoman retailer for a replacement. Only use genuine Yeoman parts on this appliance.
- 2.3 The appliance should be located close to a suitable mains socket to enable connection. The electrical socket must be easily accessible to allow disconnection when the appliance is fitted.
- 2.4 This appliance must stand on a clean, level, firm surface. Do not stand the appliance on a carpet. Ensure that furniture, curtains etc. are positioned no closer than 1m and the appliance stands on a surface that can withstand temperatures of 90°C for prolonged periods. Do not allow rugs to be placed within 500mm of the front of the appliance.
- 2.5 Ensure that curtains and furniture are not positioned close to the chosen position, as this would create a potential fire hazard or block the heater outlet ducts.

WARNING! KEEP ANY COMBUSTIBLE MATERIALS AT LEAST 1M FROM THE FRONT AND SIDES OF THE APPLIANCE.

ALL INGLENOOK FIREPLACE OPENINGS:

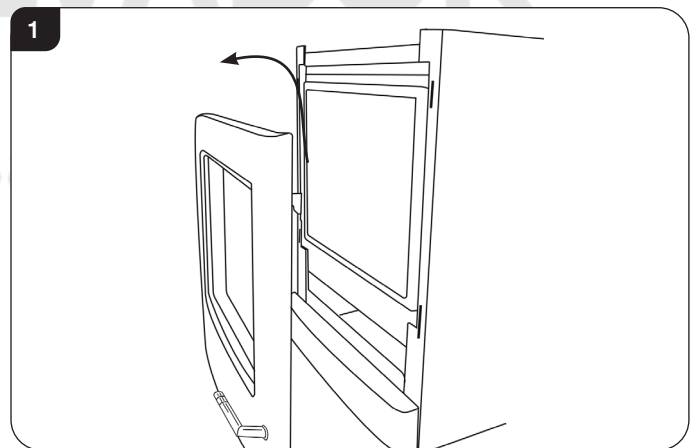
For all models the dimensions required for an inglenook installation can be calculated by adding 225mm (9") to the height of the appliance and 150mm (6") to each side. An additional 50mm (2") must be added to the depth to provide adequate space behind the appliance.

3. Fitting the Appliance



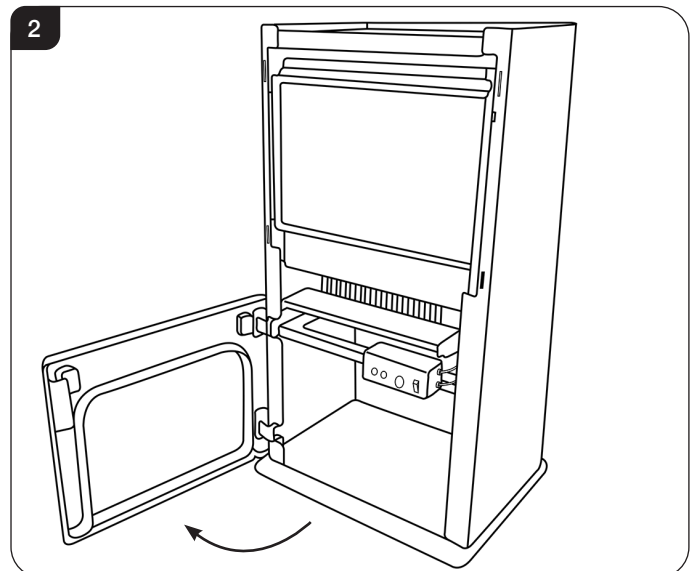
IMPORTANT: THE OUTER PANNELLING IS MADE FROM CAST IRON. USE CAUTION WHEN INSTALLING, REMOVING AND STORING AS THE COMPONENTS ARE HEAVY AND SHOULD BE HANDLED CAREFULLY.

- 3.1 Position the stove ensuring all appropriate clearances are observed.
- 3.2 Remove the main door casting to gain complete access to the viewing aperture by lifting the hooks clear of the slots on the front of the appliance, see Diagram 1.



CL5 Midline & CL5 Highline

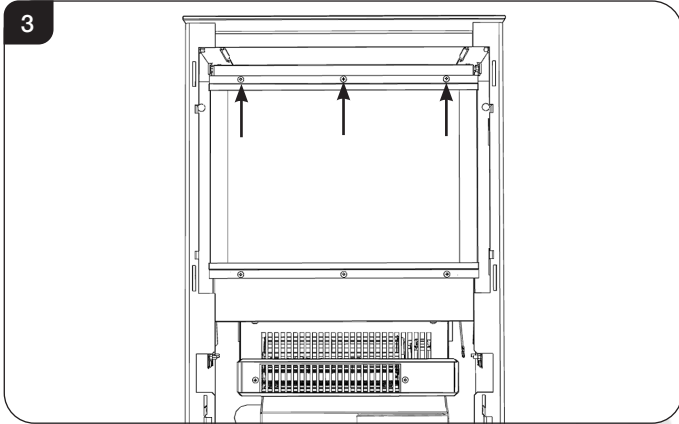
- 3.3 From the right hand side pull the lower door open, see Diagram 2.



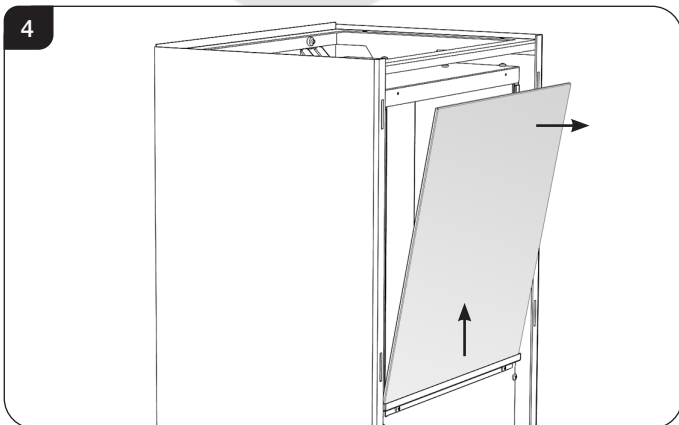
Installation Instructions

All Models

- 3.4 Remove the top 2 screws and bracket securing the front glass to the appliance, see Diagram 3.
Take care to support the glass when removing the screws.



- 3.5 Carefully tip the glass forward and lift out of the bottom bracket to remove. Place carefully to one side.



4. Fuel Effect

- 4.1 The appliance is supplied with 2 fuel effect options:

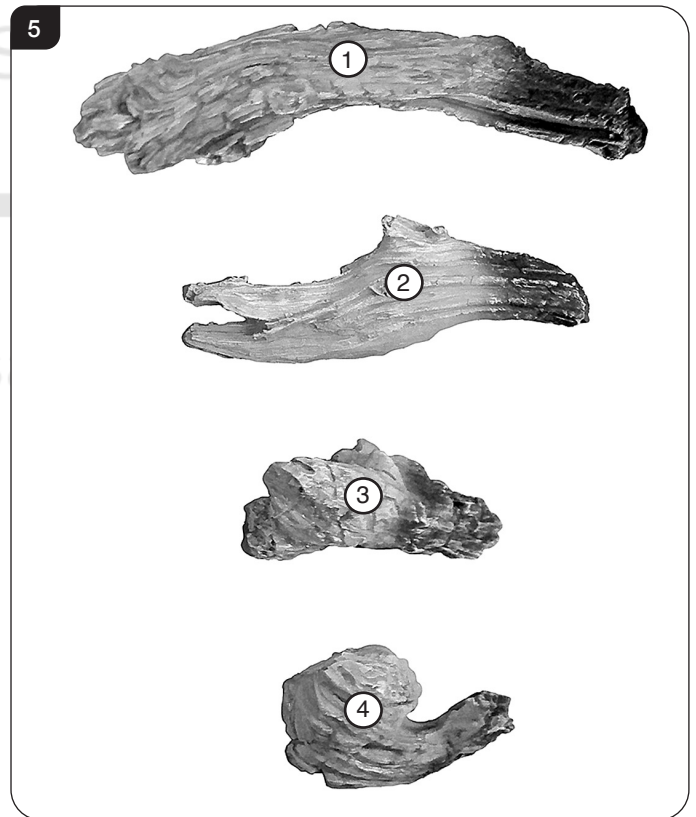
- 4a. Log Effect.
- 4b. Crystal Ice Glass Effect.

4a. Log Effect

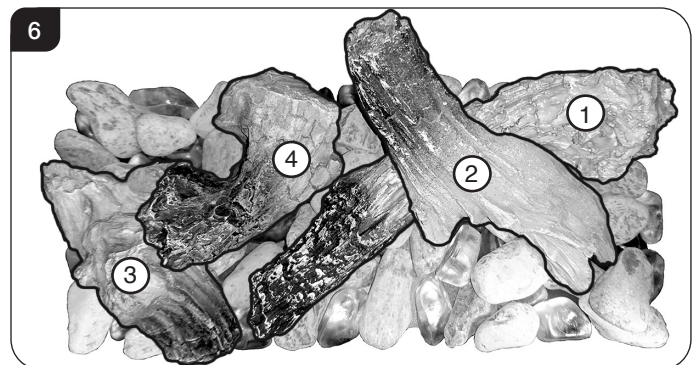
LOGS MUST BE POSITIONED ACCORDING TO THE FOLLOWING INSTRUCTIONS TO GIVE THE CORRECT FLAME EFFECT.

The logs for the fuel bed are NOT individually labelled, the numbers are for reference information only.

- 4a.1 Evenly spread the clear pebble effect across the fuel bed.
- 4a.2 Randomly space the grey pebble effect throughout the fuel bed, partially covering the clear pebbles.
- 4a.3 Identify the logs using Diagram 5.



- 4a.4 Working from left to right, place the logs onto the stone fuel effect following the layout in Diagram 6.



- 4a.5 If desired the Crystal Ice Glass Effect can be placed in between the log layout.

Installation Instructions

4b. Crystal Ice Glass Effect

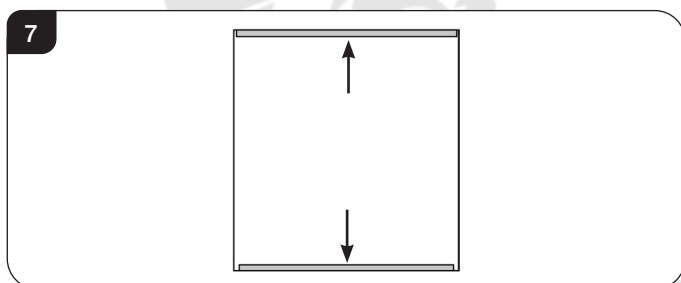
4b.1 Evenly spread the small glass-effect crystals across the fuel bed.

It is not necessary to use all of the effect supplied.

4b.2 Randomly space the large glass-effect crystals throughout the fuel bed. **Ensure some of the glass-effect crystals are touching and some are in isolation for the best results.**

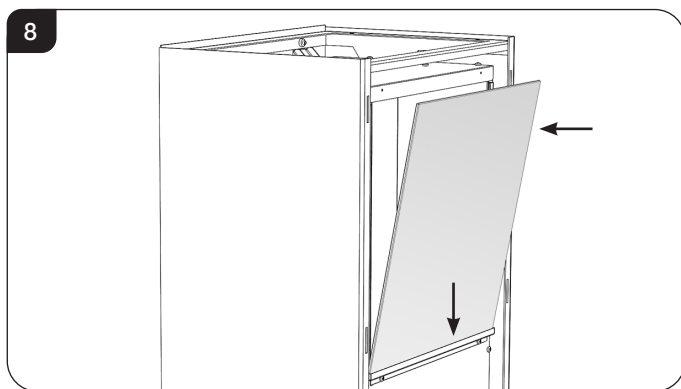
5. Completion of Assembly

Note: When refitting the glass ensure that the top and bottom glass seals are in position on the glass. The bottom seal may remain in the bottom bracket, if this occurs it will be necessary to carefully extract the seal and centrally reposition on the bottom of the glass before reinstalling.

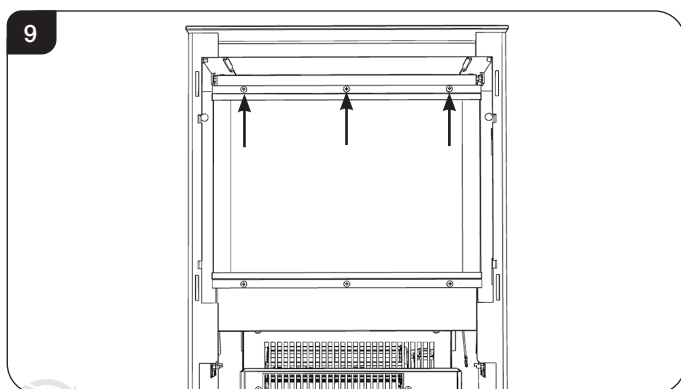


To fit the window panel:

5.1 With the glass tipped forward, place into the bottom bracket, see Diagram 8.



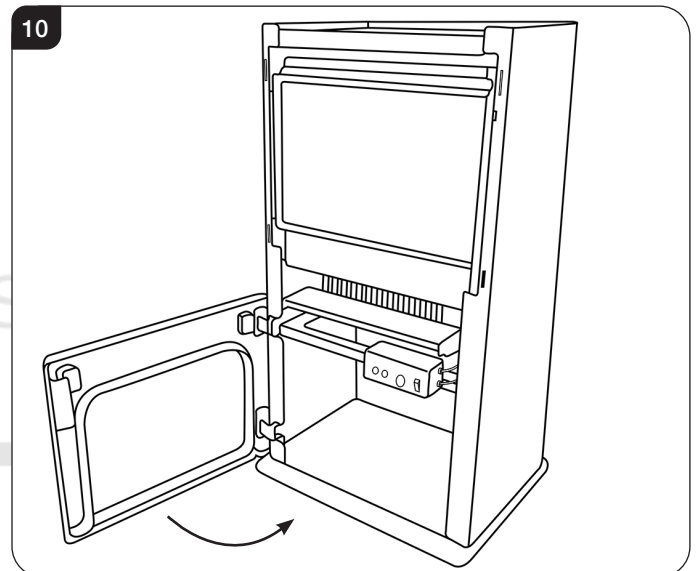
5.2 Raise the top of the glass and secure with the bracket and 2 screws, see Diagram 9.



5.3 **NEVER OPERATE THE APPLIANCE WHEN THE GLASS FRAME IS REMOVED, OR THE GLASS IS BROKEN.**

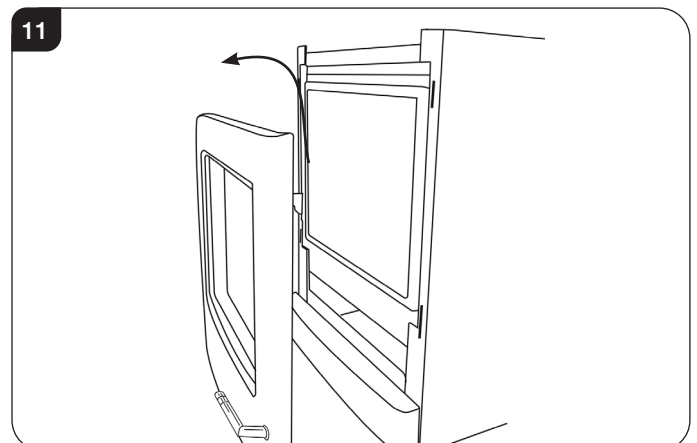
CL5 Midline & CL5 Highline

5.4 From the right hand side pull the lower door open, see Diagram 10.



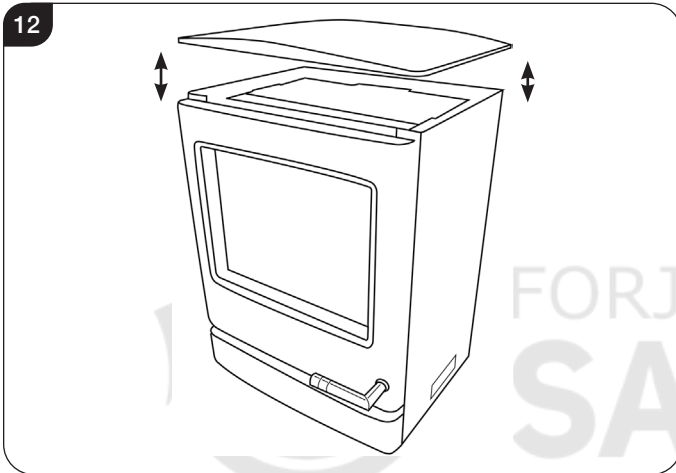
All Models

5.5 Fit the main door casting by inserting the hooks on the back of the frame into the slots on the front of the appliance, see Diagram 11.



6. Fitting the Top Plate

- 6.1 To fit the top, line up the raised fins on the underside of the cast plate with the cut outs in the top of the box. When properly fitted the rear of the cast plate should sit flush with the rear of the appliance, see Diagram 12.



www.forjas-salvador.com

Servicing Instructions

1. Fault Finding

No illumination or uneven lighting:

- 1.1 First change the BS1362 13A fuse for one known to work. If the appliance still does not work, check the socket by plugging in a working appliance. If this too fails to operate, call in a competent electrician to check the socket.
- 1.2 One or more of the LED boards may need replacing. This must be undertaken by a suitably qualified person (see *Servicing Requirements*).

Illumination but no heat:

- 1.3 The safety cut-out may have operated to protect against overheating (see *User Instructions, Section 2*). Ensure the air inlet and outlet grilles are free of dust or any other obstruction.
- 1.4 The thermostat control may be set too low. Increase the setting by pressing the thermostat button on the remote control until the heater turns on.

Remote control fails to work:

- 1.5 Check that the batteries are new and correctly fitted. Replace if necessary.

2. How to wire a plug

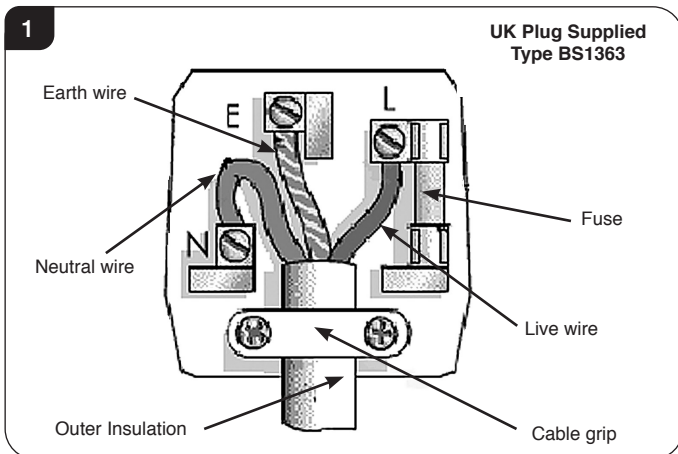
To change the plug supplied with this appliance, follow the instructions below. The instructions assume that the wire has been cut.



WARNING – FAILURE TO CONNECT THE WIRES CORRECTLY COULD PUT PEOPLE AT RISK FROM ELECTRIC SHOCK OR FIRE. IF IN DOUBT CONSULT A QUALIFIED ELECTRICIAN.

UK Plug

Suitable for use in Cyprus, Malta, Ireland & Great Britain.

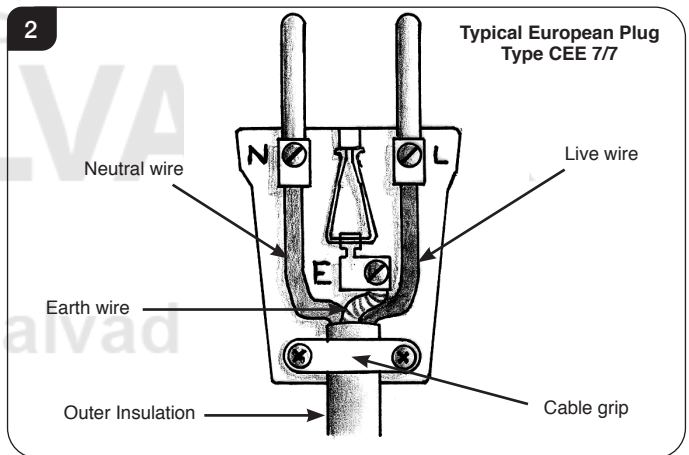


Live Wire	Brown	Terminal L / RED
Neutral Wire	Blue	Terminal N / BLACK
Earth Wire	Green & Yellow Stripes	Terminal E / / GREEN or GREEN & YELLOW

THIS APPLIANCE MUST BE EARTHED

European Plug

Suitable for use in Austria, Belgium, Bulgaria, Czech Republic, Denmark, Estonia, Finland, France, Greece, Hungary, Germany, Italy, Latvia, Lithuania, Luxembourg, Netherlands, Poland, Portugal, Romania, Slovakia, Slovenia, Spain & Sweden.



- 2.1 Dispose of the old plug safely. Ensure the new plug has the relevant approval marking and is not cracked or chipped.
- 2.2 Expose 4cm of the coloured wires and trim to the correct lengths so that they comfortably reach the correct terminals.
- 2.3 Ensure that the Earth wire has more slack than any of the other wires.
- 2.4 Remove some of the insulation to leave about 6mm (screw terminals) to 12mm (winding around screw) of exposed metal core on each wire, taking care not to damage or remove the metal strands.
- 2.5 Twist the strands of the wire together.
- 2.6 Loosen the screw heads above each terminal.
- 2.7 Push the metal wire into the hole beneath each screw head or, dependent on plug design, wind the metal wire around the screw.
- 2.8 Ensure that the insulation reaches right up to each terminal as illustrated and there are no loose strands of wire.
- 2.9 Ensure the cable sits correctly under the cable grip and tighten to secure, taking care that the connecting wires inside the plug are not strained.
- 2.10 Refer to *Technical Specification* for fuse rating and fit the appropriate fuse into the plug (UK Only).
- 2.11 Attach the plug cover.

Servicing Instructions

3. Servicing Requirements



DURING SERVICING OF THIS APPLIANCE IT MAY BE NECESSARY TO CUT CABLE TIES IN ORDER TO ACCESS AND REMOVE SOME OF THE PARTS. THESE MUST BE REPLACED WHEN REASSEMBLING THE APPLIANCE.



WARNING: The Effect Spindles are sharp, please use caution when servicing this appliance.

THIS APPLIANCE MUST ONLY BE SERVICED BY A SUITABLY QUALIFIED PERSON.

BEFORE UNDERTAKING ANY WORK ON THE APPLIANCE: SWITCH OFF THE APPLIANCE AND ISOLATE THE POWER SUPPLY ENSURING THERE IS NO POWER TO THE APPLIANCE.

3.1 Wait for at least 10 minutes until the appliance has cooled down.

3.2 Remote Handset Battery Replacement

Replace with 2 AAA batteries. Make sure the batteries are installed correctly in the remote control.

3.3 Maintenance of Motors

The motor used on the flame effect is pre-lubricated for extended bearing life and requires no further lubrication. However, periodic cleaning/vacuuming of the heater unit is recommended.

3.4 Resetting the Thermal Cutout Switch

The appliance is fitted with an Electronic Safety Control (E.S.). This is a safety device which switches off the fire if the appliance overheats for any reason e.g. when covered.

If the heater stops operating whilst the flame effect continues normally, this indicates that the E.S. Control is in operation.

The E.S. Control can only be re-set after the appliance has cooled down.

To re-set the E.S.:

Switch off the appliance (Manual On/Off switch) and leave for approximately 2 hours.

Remove any obstruction to the fan heater outlet or other internal parts.

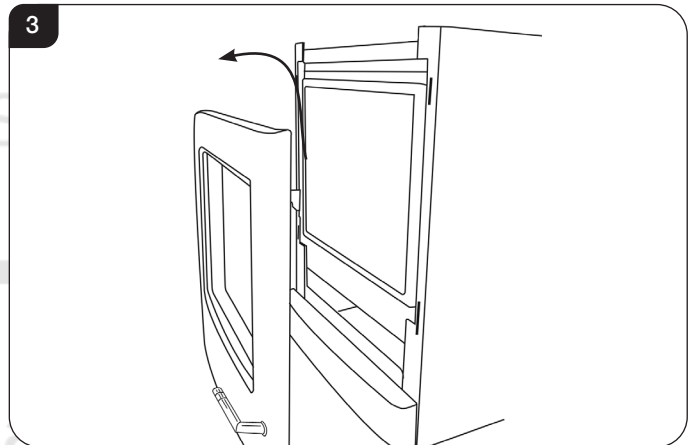
Switch on appliance and the E.S. Control will re-set. Ensure that the appliance is functioning correctly. If the E.S. Control operates again, the appliance should be checked by a competent Electrician.

4. Cast Front & Exterior Glass



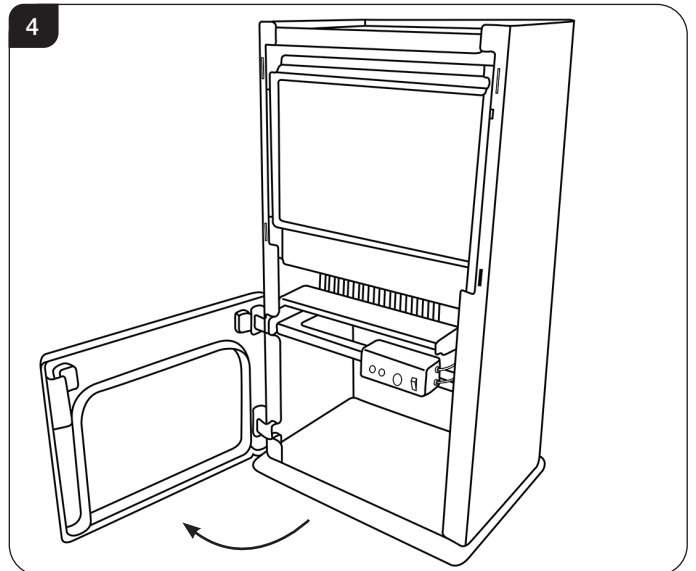
IMPORTANT: THE OUTER PANNELLING IS MADE FROM CAST IRON. USE CAUTION WHEN INSTALLING, REMOVING AND STORING AS THE COMPONENTS ARE HEAVY AND SHOULD BE HANDLED CAREFULLY.

4.1 Remove the main door casting to gain complete access to the viewing aperture by lifting the hooks clear of the slots on the front of the appliance, see Diagram 3.



CL5 Midline & CL5 Highline

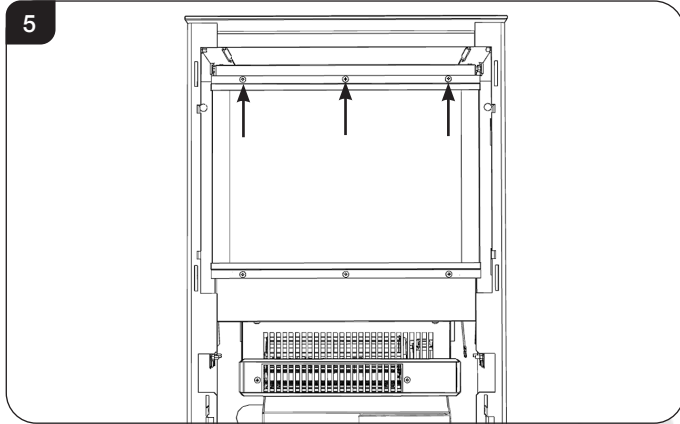
4.2 From the right hand side pull the lower door open, see Diagram 4.



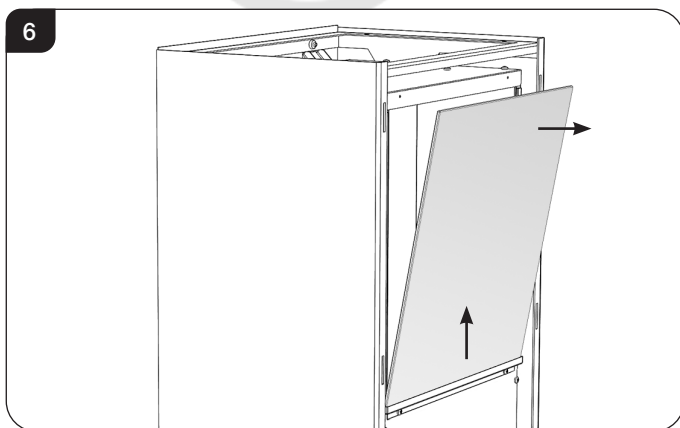
Servicing Instructions

All Models

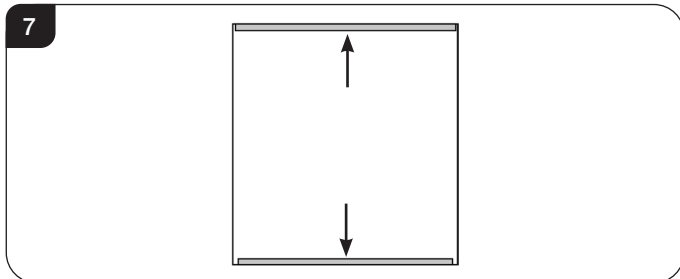
- 4.3 Remove the top 3 screws and bracket securing the front glass to the appliance, see Diagram 5.
Take care to support the glass when removing the screws.



- 4.4 Carefully tip the glass forward and lift out of the bottom bracket to remove. Place carefully to one side.



Note: When refitting the glass ensure that the top and bottom glass seals are in position on the glass. The bottom seal may remain in the bottom bracket, if this occurs it will be necessary to carefully extract the seal and centrally reposition on the bottom of the glass before reinstalling.

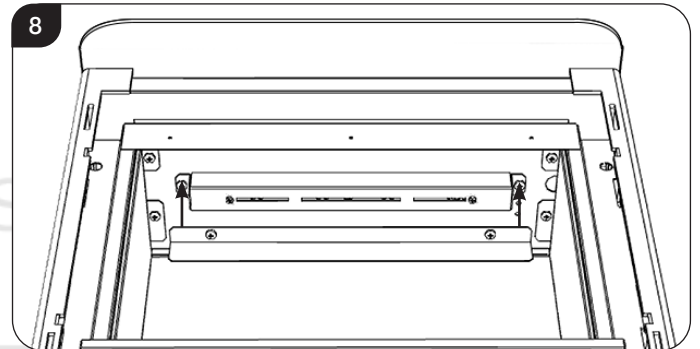


- 4.5 Replace in reverse order.

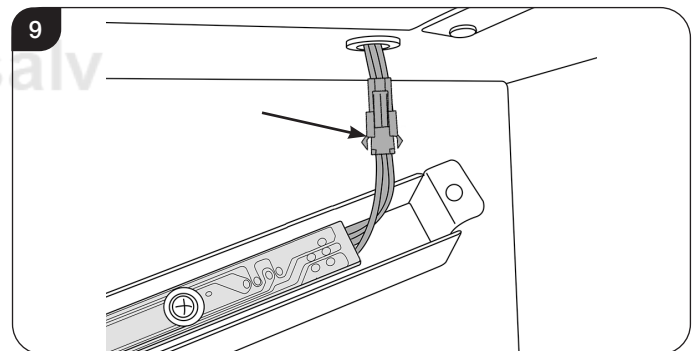
5. Removing the LED Light Bar

It will be necessary to remove the LED Light Bar in order to remove the Interior Glass.

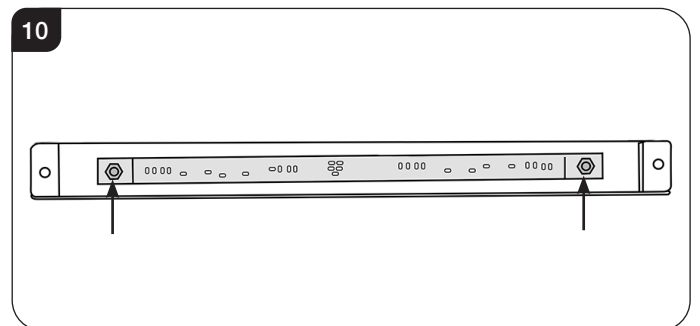
- 5.1 Follow Section 4 to access the LED Light Bar.
5.2 Supporting the LED Light Bar remove the 2 screws, see Diagram 8.



- 5.3 Carefully lower the LED Light Bar and disconnect the cable from the right hand side, see Diagram 9.



- 5.4 Remove the 2 screws to remove the LED board from the bracket, see Diagram 10.



- 5.5 Disconnect the wire from the LED board.

Servicing Instructions

6. Removing the Glass Side Panels

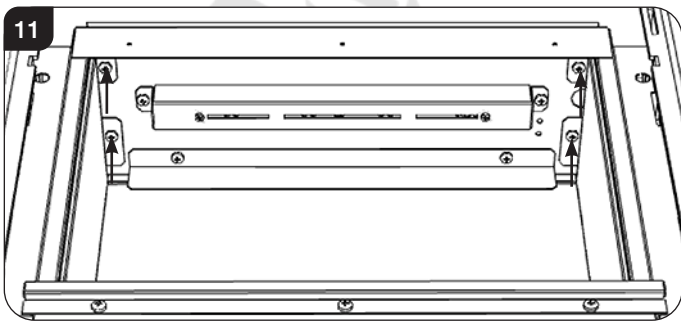
6.1 Follow Section 4 to access the Interior Glass Panels.

To remove the Interior Glass it will necessary to remove the side panels:

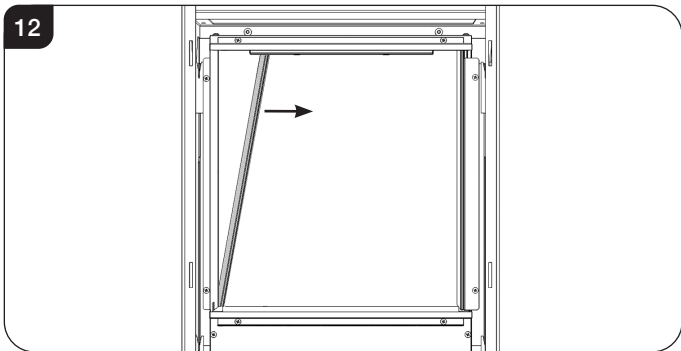
With the exterior glass removed carefully gather up the fuel effect and place to one side.

To replace the fuel effect see Installation Instructions Section 4 for layout.

6.2 Remove the 2 screws securing the side liner to the roof of the appliance, see Diagram 11.



6.3 Carefully ease the side panel inwards and remove from the firebox, see Diagram 12.



6.4 Repeat on the other side.

Replace in reverse order.

7. Removing the Fuel Bed

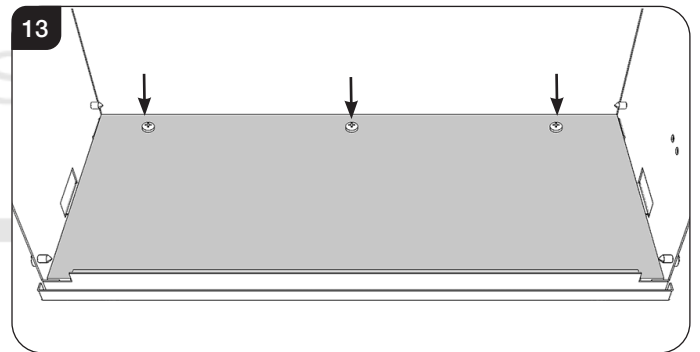
7.1 Follow Sections 4 & 6 to access the fuel bed.

With the exterior glass removed carefully gather up the fuel effect and place to one side.

To replace the fuel effect see Installation Instructions Section 4 for layout.

Support the Interior Glass when removing the fuel bed.

7.2 Loosen the screws enough to free it from the metalwork but not from the fuel bed, see Diagram 13.



7.3 Lift the fuel bed using the screw and remove from the front of the appliance.

7.4 When replacing the fuel bed carefully feed the front edge into the groove at the front of the firebox. Lower into position and secure with the screw.

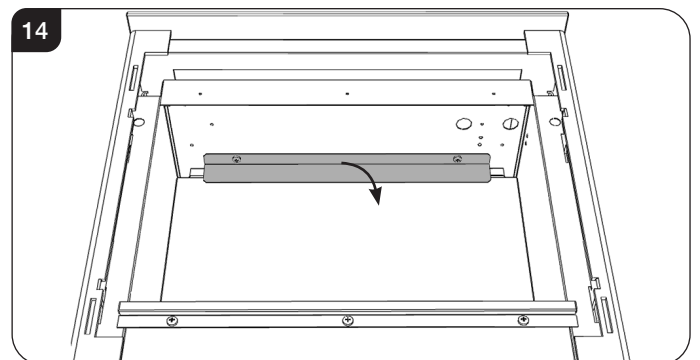
Note: When replacing the fuel bed ensure that the rough side faces up.

8. Removing the Interior Glass Screen

Support the Interior Glass when removing the fuel bed.

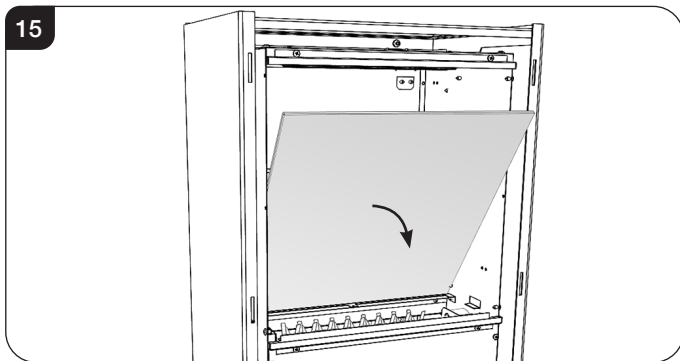
8.1 Follow Sections 4, 5, 6 & 7 access the Interior Glass Screen.

8.2 Loosen the 3 screws and remove rear glass Bracket, see Diagram 14.



Servicing Instructions

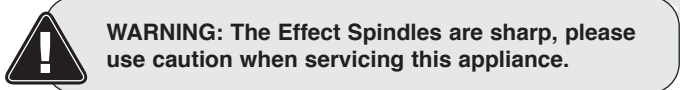
8.3 Supporting the glass, carefully tilt the appliance forward slightly and lower the top of the glass, see Diagram 15.



- 8.4 Remove the glass from the appliance.
- 8.5 Carefully place the glass to one side to avoid damage.
- 8.6 Replace in reverse order.

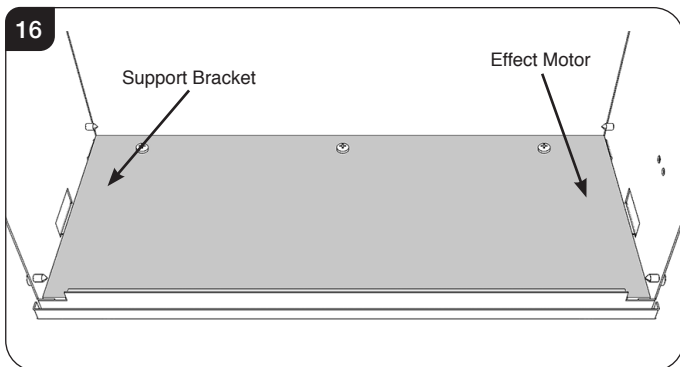
IMPORTANT: When replacing the glass the side with the glossy finish must face towards the front of the appliance.

9. Replacing the Fuel Bed Effect Spindle

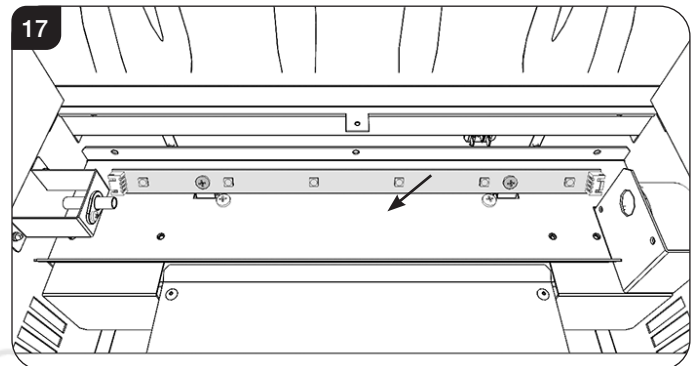


WARNING: The Effect Spindles are sharp, please use caution when servicing this appliance.

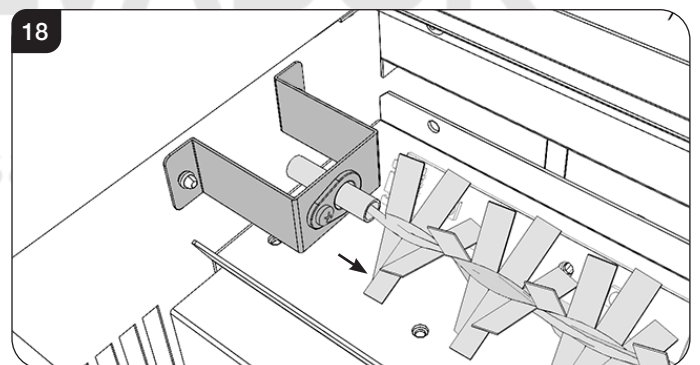
- 9.1 Follow Sections 4, 5, 6, 7 & 8 to access the Fuel Bed Effect Spindle.
- 9.2 The Fuel Bed Effect Spindle is attached to the Fuel Bed Effect Motor and supported by a bracket, see Diagram 16.



9.3 The Effect Spindle is attached to the Effect Motor by a rubber sleeve. Pull the rubber sleeve off the Effect Motor axle, see Diagram 17.



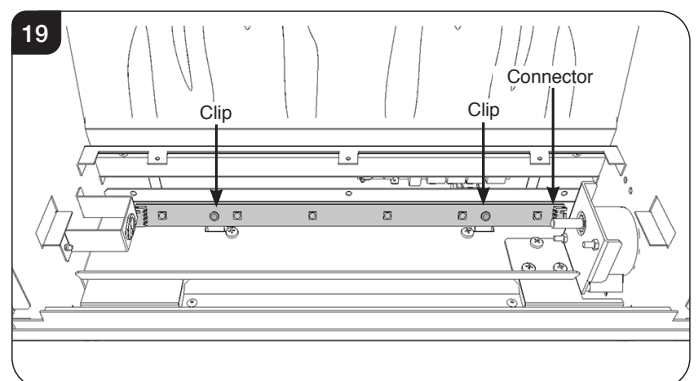
9.4 Withdraw the spindle from the left hand bracket, see Diagram 18. The spindle may need to be tilted to be removed from the location bracket.



9.5 Replace in reverse order.

10. Replacing the Fuel Bed LED Boards

- 10.1 Follow Sections 4, 5, 6, 7, 8 & 9 to access the Fuel Bed LED Boards.
- 10.2 The LED boards are located at the bottom of the appliance.
- 10.3 Release the LED board from the clips and unplug the connector to remove.



10.4 Fitting a new board is the reverse of this process.

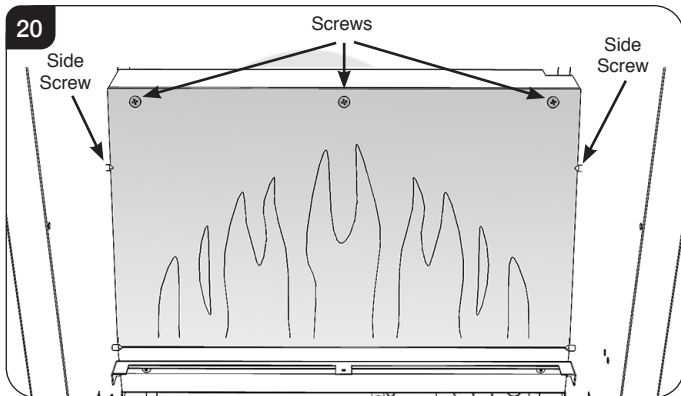
Servicing Instructions

IMPORTANT: Test the LEDs before refitting the Fuel Bed.

When replacing the CN2 connector must be positioned on the right and connected to the wire.

11. Removing the Effect Screen

- 11.1 Follow Sections 4, 5, 6, 7 & 8 to access the Effect Screen.
- 11.2 Remove the screws securing the Effect Screen, see Diagram 20.



- 11.3 Slide the Effect Screen up and over the 2 side screws to remove, see Diagram 20.
- 11.4 Replace in reverse order.

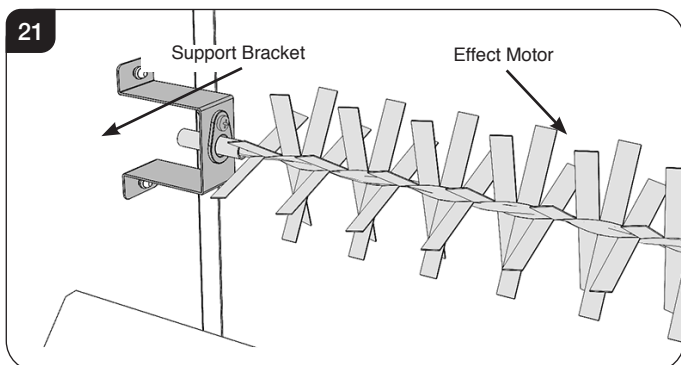
IMPORTANT: When replacing the Effect Screen the side with the glossy finish must face towards the front of the appliance with the flames in the correct orientation.

12. Replacing the Flame Effect Spindle

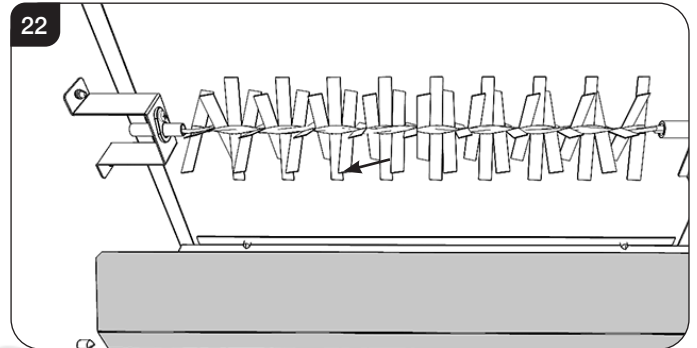


WARNING: The Effect Spindles are sharp, please use caution when servicing this appliance.

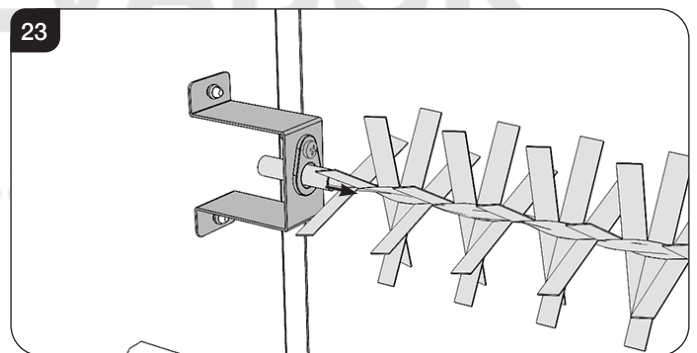
- 12.1 Follow Sections 4, 5, 6, 7, 8 & 11 to access the Flame Effect Spindle.
- 12.2 The Flame Effect Spindle is attached to the Flame Effect Motor and supported by a bracket, see Diagram 21.



- 12.3 The Effect Spindle is attached to the Effect Motor by a rubber sleeve. Pull the rubber sleeve off the Effect Motor axle, see Diagram 22.



- 12.4 Withdraw the spindle from the left hand bracket, see Diagram 23. The spindle may need to be tilted to be removed from the location bracket.



- 12.5 Replace in reverse order. Take care not to damage the spindle blades when replacing.

Service Instructions

13. Replacing the Flame Effect LED Board

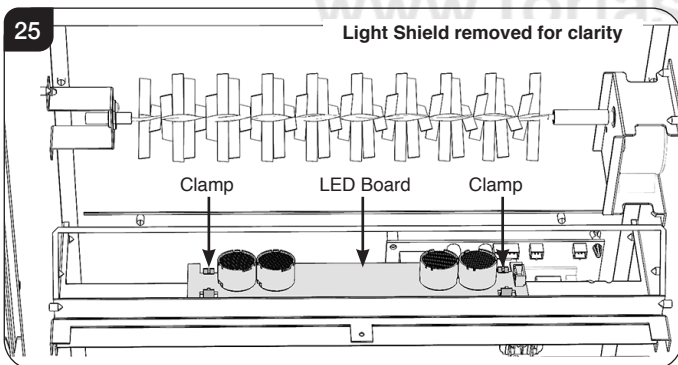
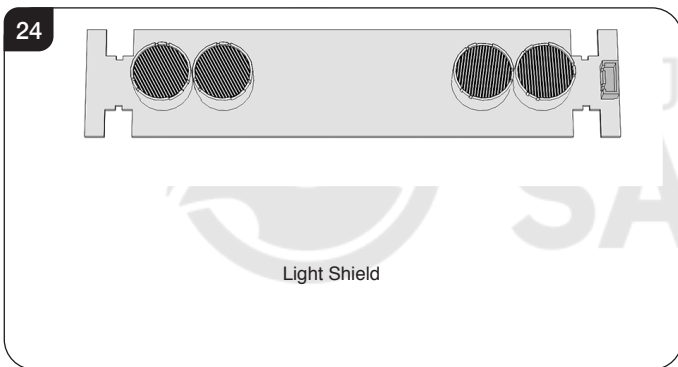


WARNING: The Effect Spindles are sharp, please use caution when servicing this appliance.

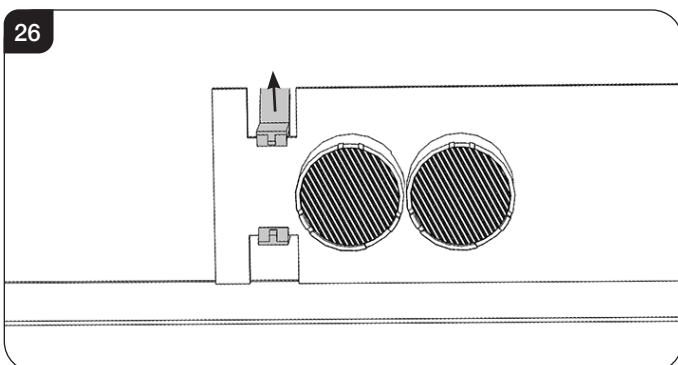
- 13.1 Follow Sections 4, 5, 6, 7, 8, 11 & 12 to access the Flame Effect LED Board.

The Flame Effect LED Board is held in place by clips.

- 13.2 Reach over the Light Shield and locate the left hand clip, see Diagrams 24 & 25.

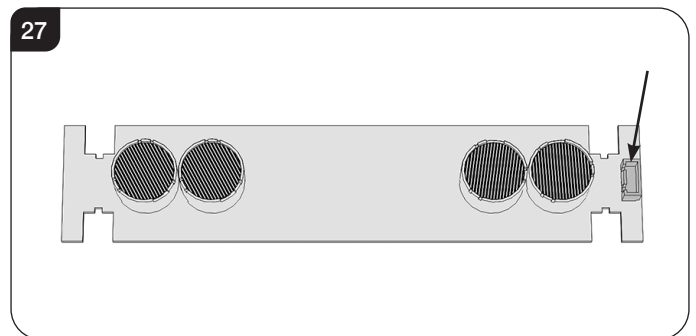


- 13.3 Push the rear clamp towards the rear of the firebox to release the board, see Diagram 26.



- 13.4 Repeat for the other side.
13.5 Gently withdraw the LED Board.

- 13.6 Remove the connector from the right hand side of the LED Board, see Diagram 27.



To replace the LED Board:

- 13.7 Connect the new LED Board.
13.8 Angle the LED Board into the front clips. Push down and rock the LED Board until it clicks into the rear clamps.

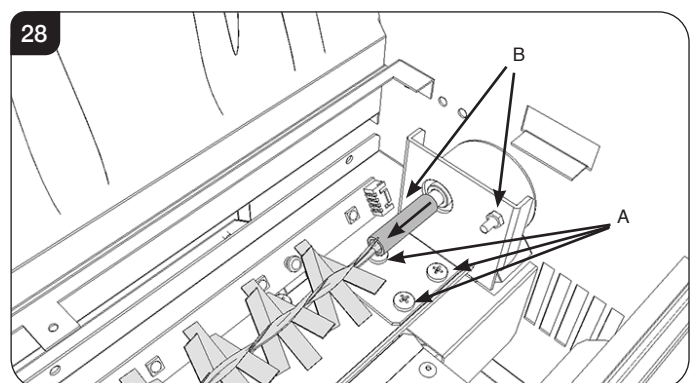
IMPORTANT: Test the LEDs before refitting the Fuel Bed.

14. Replacing the Fuel Bed Motor

- 14.1 Follow Sections 4, 5, 6, 7 & 8 to access the Fuel Bed Motor and its connections.

Note: It is advisable to remove the LED Board for ease of access, see Section 10.

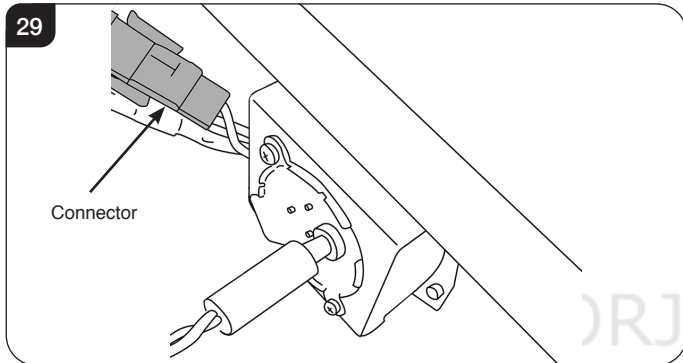
- 14.2 Remove the Effect Spindle by pulling the rubber sleeve off the Effect Motor axle, see Diagram 28.



- 14.3 Remove the 3 screws to release the motor unit bracket, see Diagram 28 A.
14.4 Remove the 2 screws to release the motor unit, see Diagram 28 B.
14.5 Slide the motor unit up and out of slots.

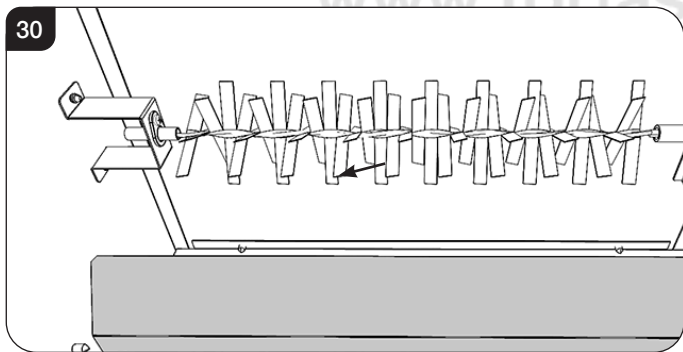
Servicing Instructions

- 14.6 Follow the wires to the corresponding connector and disconnect the motor unit by squeezing the clips on each side of the plug, see Diagram 29.
NOTE: The cable clip may need to be removed to gain access to the connector, ensure this is replaced when operation is complete.

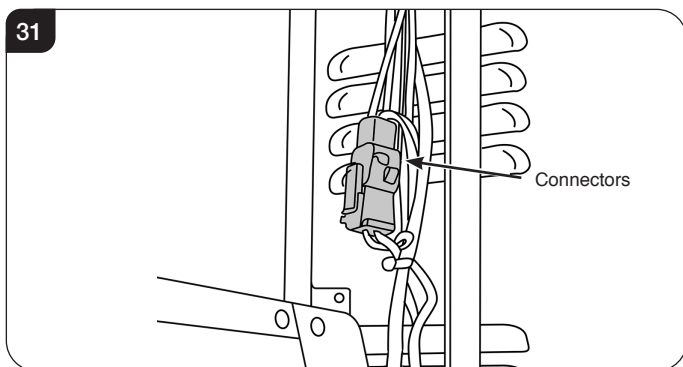


15. Replacing the Flame Effect Motor

- 15.1 Follow Sections 4, 5, 6, 7, 8 & 11 to access the Flame Effect Motor.
15.2 Remove the Effect Spindle by pulling the rubber sleeve off the Effect Motor axle, see Diagram 30.



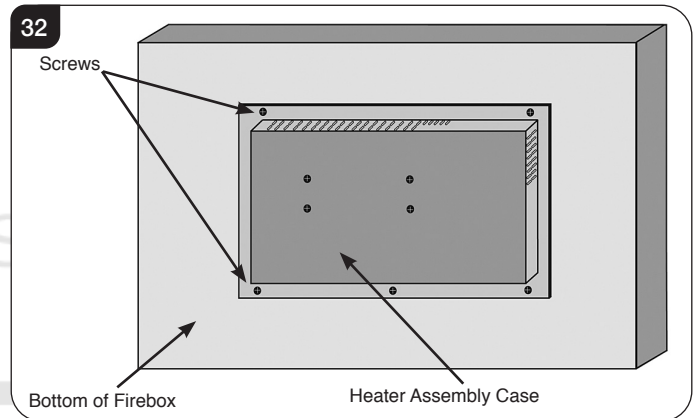
- 15.3 Remove the 2 screws to release the motor unit, see Diagram 30.
15.4 Follow the wires to the corresponding connector and disconnect the motor unit by squeezing the clips on each side of the plug, see Diagram 31.



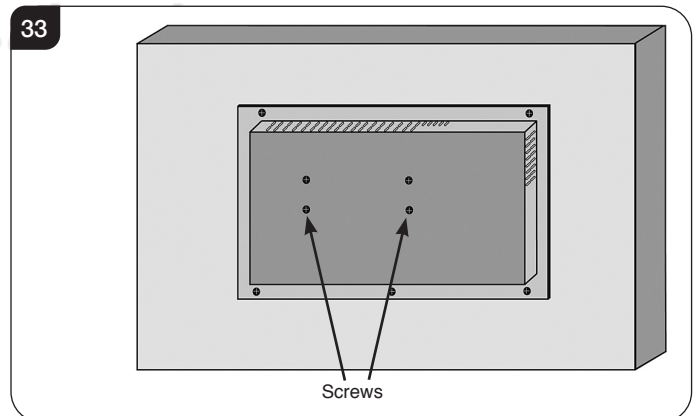
- 15.5 Replace in reverse order, ensuring the cable ties are replaced.

16. Replacing the Heater Assembly

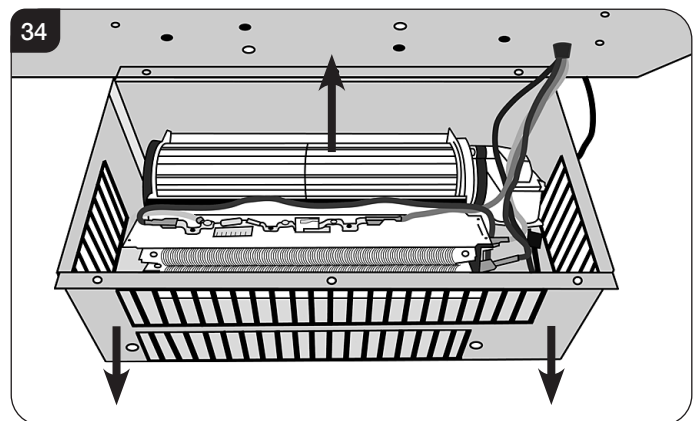
- 16.1 To access the heater assembly remove any loose top plates or panels, before moving the stove and carefully laying the stove on its back.
16.2 Remove the 5 screws securing the heater casing to the bottom of the firebox, see Diagram 32.



- 16.3 Remove the 4 screws from the front of the heater casing, see Diagram 33 to free the heater assembly.

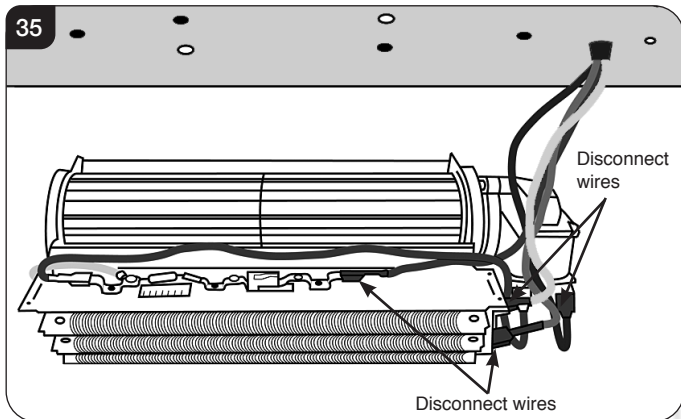


- 16.4 Tilt the heater casing forward and carefully remove the heater assembly, see Diagram 34.



Servicing Instructions

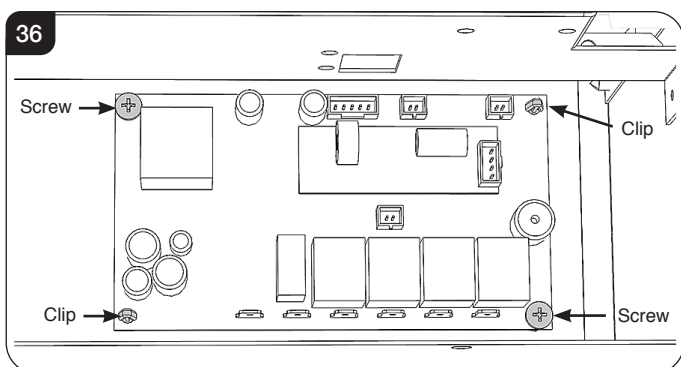
- 16.5 Disconnect the 4 coloured wires running from the firebox to the heater assembly, see Diagram 35 noting the orientation.



- 16.6 Fit new heater assembly, ensuring all wires are correctly attached and the heater is secured to its casing using 4 screws.
- 16.7 Reattach heater casing to bottom of firebox using 5 screws.
- 16.8 Relocate the stove to its original position and replace any loose top plates or panel

17. Replacing the PCB

- 17.1 Follow Sections 4, 5, 6, 7, 8, 9, 10, 11, 12, & 13 to access the PCB.
- 17.2 Remove all the wires and connectors to replace the PCB. Note the orientation of the connectors.
- 17.3 Remove the 2 screws and using a pair of long nosed pliers squeeze the 2 clips that hold the PCB to the appliance in order to release, see Diagram 36.



- 17.4 Replace in reverse order ensuring the wires and connectors are put back in exactly the same configuration.

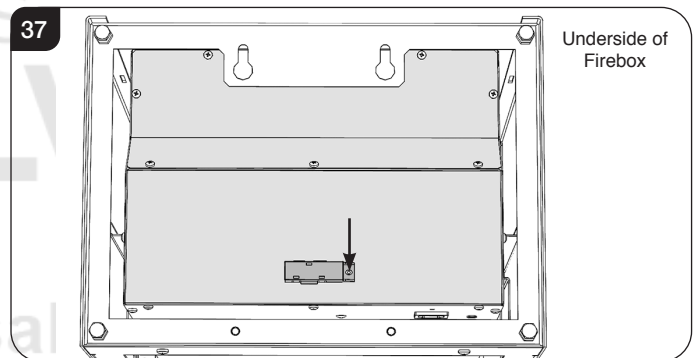


18. Replacing the RF Receiver

- 18.1 Refer to Section 4 to remove the Cast Front & Exterior Glass.
- 18.2 With the exterior glass removed carefully gather up the fuel effect and place to one side.

To replace the fuel effect see Installation Instructions Section 4 for layout.

- 18.3 Carefully tilt the appliance backwards to access the RF Receiver.
- 18.4 Undo the screw securing the RF Receiver to the underside of the firebox, see Diagram 37.



- 18.5 Slide the RF Receiver right and remove out of its location.
- 18.6 Disconnect to remove.
- 18.7 Replace in reverse order.


19. Pairing the Remote Control to the Appliance

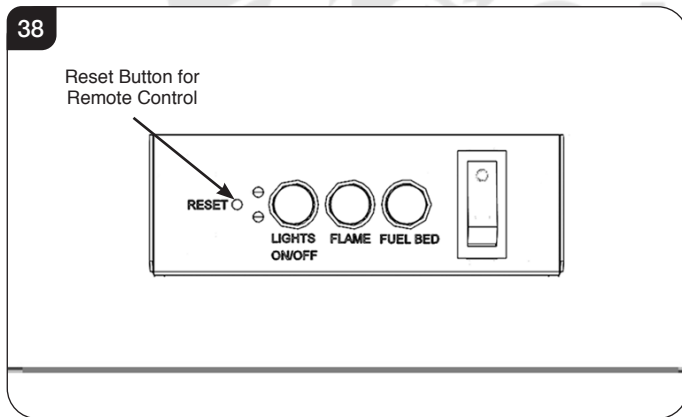
Signal Code

The below operations should be carried out before coding when changing to a new remote or the unit cannot be controlled by the remote:

The reset button is located on the control panel located on the right-hand side of the viewing window, see Diagram 38.

- 19.1 Press the reset button for 3 seconds (a pen point may be needed) until 3 short beeps sound from the unit, release the button.

Within 10 seconds, press the  button on remote. The coding is finished when 1 long beep sounds from the unit.

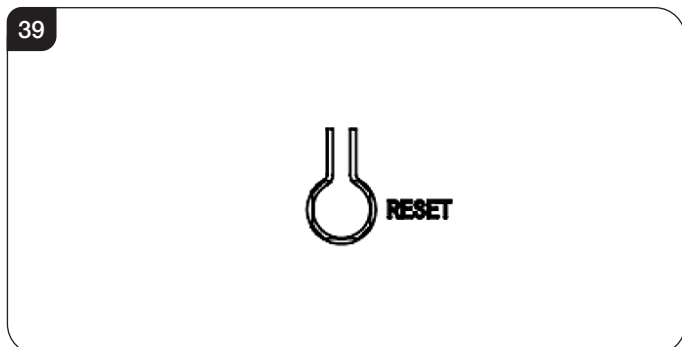


Resetting of the remote control is necessary if the appliance operates incorrectly due to external interference signal and the remote control is not in use.

20. Resetting the Remote

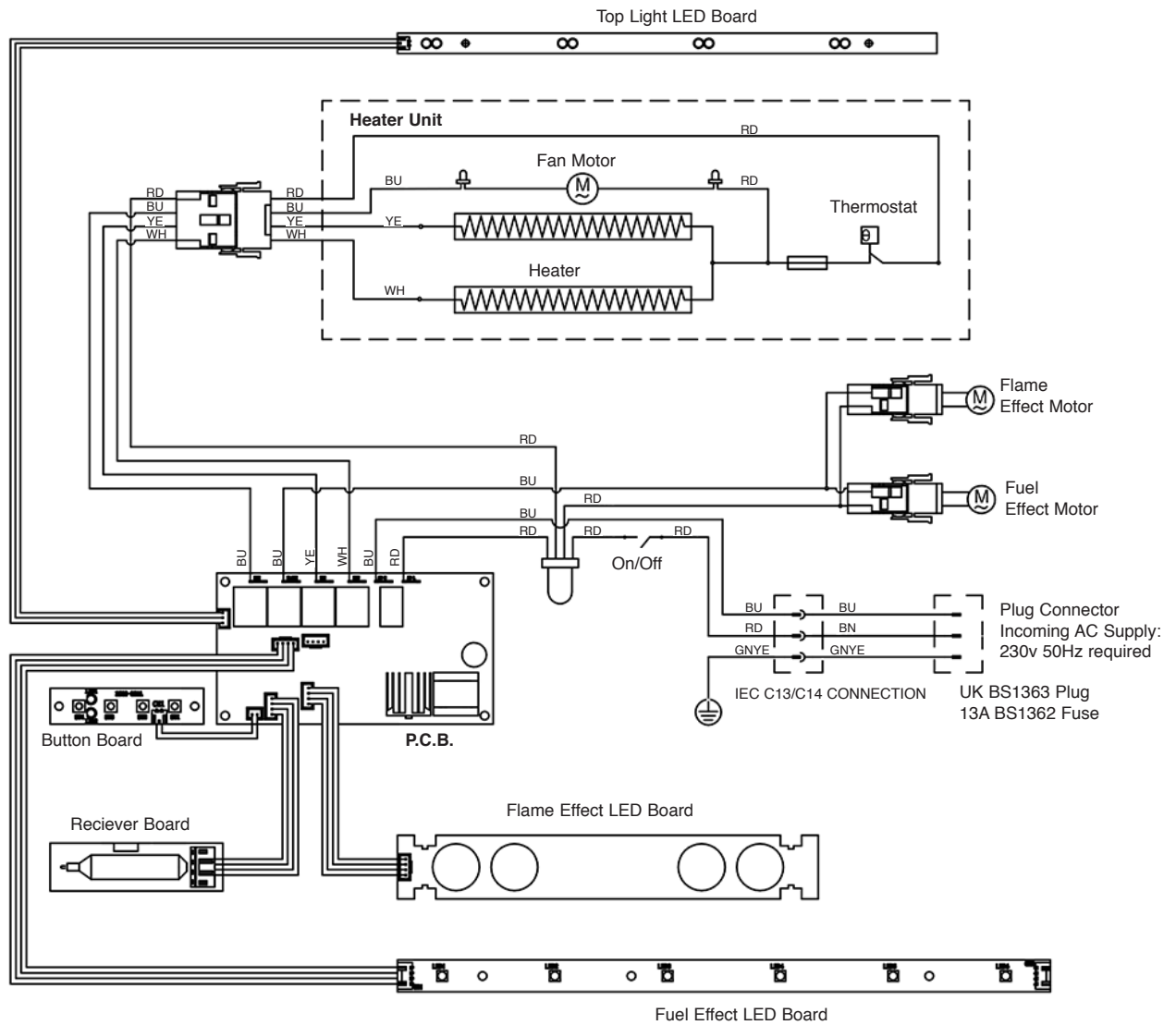
Resetting the Remote may necessary if the appliance operates incorrectly under the signal from the Remote, or if the Remote does not operate correctly.

- 20.1 Open the back cover of the Remote.
- 20.2 Press the Reset button for 3 seconds and reset the coding, see Diagram 39.



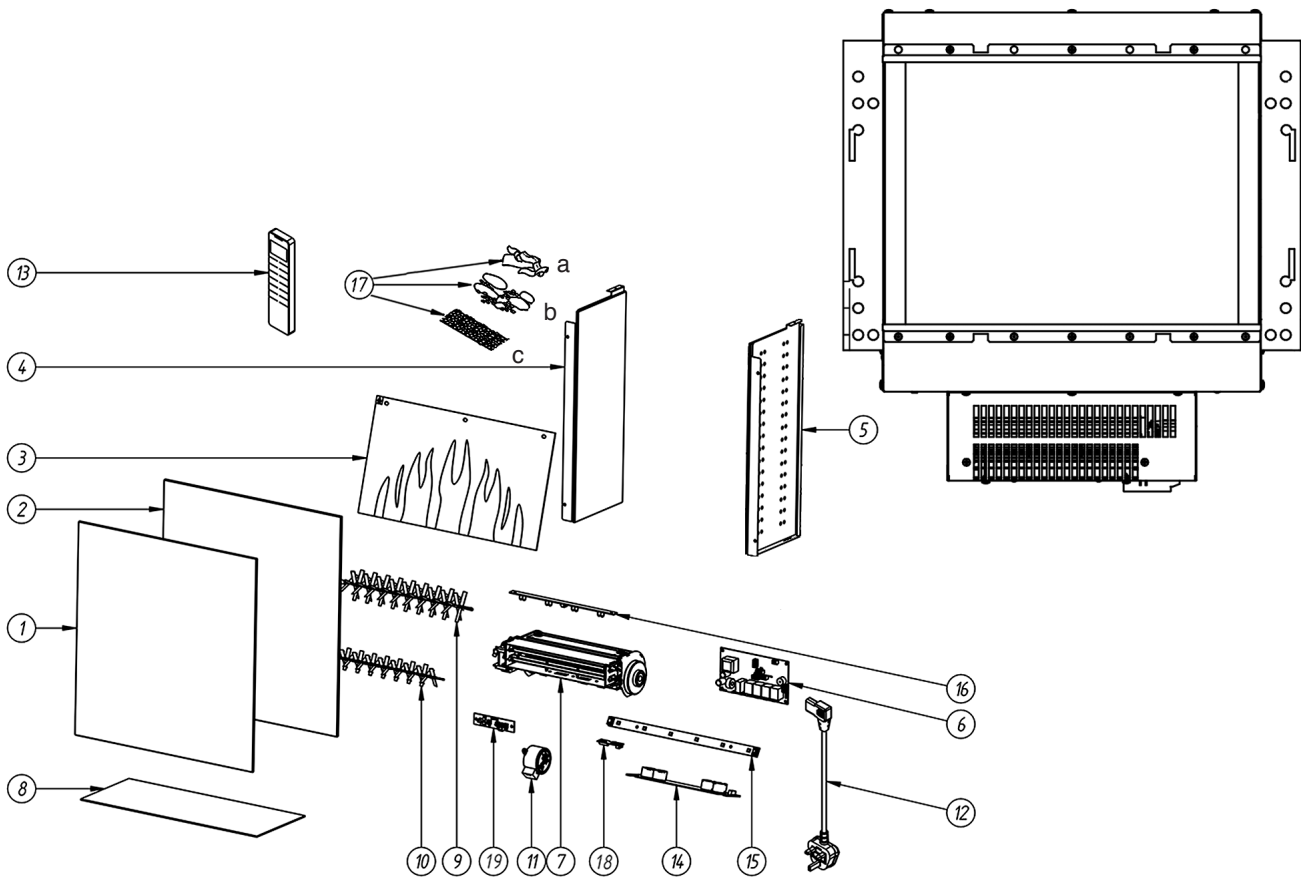
Wiring Diagram

All Models



Colour Codes	
RD	RED
BU	BLUE
YE	YELLOW
WH	WHITE
BK	BLACK
BN	BROWN
GNYE	GREEN & YELLOW

Spare Parts List



NO.	CL3	CL5/MIDLINE/HIGHLINE	CL8	QUANTITY
1	CE1425	CE1426	CE1427	1
2	CE2084	CE2085	CE2086	1
3	PL0232	PL0233	PL0234	1
4	GZ15917	GZ15919	GZ15921	1
5	GZ15918	GZ15920	GZ15922	1
6	EL0746	EL0746	EL0746	1
7	EL0497	EL0497	EL0497	1
8	PL0235	PL0236	PL0237	1
9	EL0839	EL0841	EL0843	1
10	EL0840	EL0844	EL0844	1
11	EL0713	EL0713	EL0713	2
12	EL0714	EL0714	EL0714	1
13	EL0678	EL0678	EL0678	1
14	EL0750	EL0750	EL0862	1
15	EL0842	EL0846	EL0751	1
16	EL0752	EL0752	EL0863	1
17a	CE2038	CE2038	CE2038	1
17b	CE2118	CE2039	CE2120	1
17c	CE2117	CE2040	CE2119	1
18	EL0735	EL0735	EL0735	1
19	EL0895	EL0895	EL0895	1



Due to continual technical improvements please check online or with your Yeoman retailer for the most up to date parts lists.

Only use Genuine Yeoman spares when servicing your appliance.
All of our essential spare parts and consumable items are available to purchase from our webshop at www.yeomanspares.com.

Information Requirement - Electric Heaters

Information Requirement for Electric Local Space Heaters

Model	CL3	CL5	CL5 Midline	CL5 Highline	CL8	
Heat Output	Nominal Heat Output - P_{nom}	1.5kW	1.5kW	1.5kW	1.5kW	1.5kW
	Minimum Heat Output - P_{min}	0.75kW	0.75kW	0.75kW	0.75kW	0.75kW
	Maximum Continuous Heat Output - $P_{max, c}$	1.5kW	1.5kW	1.5kW	1.5kW	1.5kW

Auxiliary Electricity Consumption	At Nominal Heat Output - e_{lmax}	12.5W	12.5W	12.5W	12.5W	12.5W
	At Minimum Heat Output - e_{lmin}	12.0W	12.0W	12.0W	12.0W	12.0W
	In Standby Mode - e_{lsb}	0.49W	0.49W	0.49W	0.49W	0.49W

Type of heat input, for electric storage local space heaters only

Manual heat charge control, with integrated thermostat	No	No	No	No	No
Manual heat charge control with room and/or outdoor temperature feedback	No	No	No	No	No
Electronic heat charge control with room and/or outdoor temperature feedback	No	No	No	No	No
Fan assisted heat output	No	No	No	No	No

Type of heat output/room temperature control

Single stage heat output and no room temperature control	No	No	No	No	No
Two or more manual stages, no room temperature control	No	No	No	No	No
With mechanic thermostat room temperature control	No	No	No	No	No
With electronic room temperature control	No	No	No	No	No
Electronic room temperature control plus day timer	No	No	No	No	No
Electronic room temperature control plus week timer	Yes	Yes	Yes	Yes	Yes

Other control options (multiple selections possible)

Room temperature control, with presence detection	No	No	No	No	No
Room temperature control, with open window detection	Yes	Yes	Yes	Yes	Yes
With distance control option	No	No	No	No	No
With adaptive start control	Yes	Yes	Yes	Yes	Yes
With working time limitation	No	No	No	No	No
With black bulb sensor	No	No	No	No	No

Contact:	Gazco Ltd, Osprey Road, Sowton Industrial Estate, Exeter, EX2 7JG
-----------------	---



www.forjas-salvador.com



www.forjas-salvador.com

FOR ENQUIRIES IN THE U.K (EXCLUDING NI):

Gazco Ltd, Osprey Road, Sowton Industrial Estate, Exeter, Devon, England EX2 7JG

Tel: (01392) 261900 E-mail: info@gazco.com

FOR ENQUIRIES IN EUROPE (INCLUDING NI):

Stovax Heating Group (NI) Ltd (Comp reg NI675194), 40 Linenhall Street, Belfast, BT2

8BA DX 400 NR Belfast Tel: +44 (0)1392 261990 E-mail: northernireland@gazco.com

