

## GAZCO HUNTINGDON 30 CON ARCOS



[Ver más información online](#)

# Huntingdon Electric Range

Freestanding LED Fire



## Instructions for Use & Installation

For use in

Great Britain & Republic of Ireland  
Éire  
République Française  
Deutschland

Nederland  
Italia  
Norge  
España

MODEL	HUNTINGDON 20		HUNTINGDON 30		HUNTINGDON 40	
	CLEAR DOOR	TRACERY DOOR	CLEAR DOOR	TRACERY DOOR	CLEAR DOOR	TRACERY DOOR
BLACK	615-011	615-258	615-094	615-285	615-123	615-302
IVORY	615-037	615-371	615-142	615-427	615-157	615-613
IVORY MATT	615-050	615-624	615-183	615-643	615-222	615-662

**GB**

Contents

Operating Instructions ..... 4  
 Dimensions ..... 65  
 Control System Technical Data ..... 66  
 Installation ..... 68  
 Information Requirement - Electric Heaters ..... 73

**FR**

Contenu

Mode d'emploi ..... 13  
 Dimensions ..... 65  
 Données techniques du système de commande ..... 66  
 Installation ..... 68  
 Informations à fournir pour un appareil de chauffage électrique localisé ..... 73

**DE**

Inhalt

Bedienungsanleitung ..... 22  
 Abmessungen ..... 65  
 Steuerung Technische Daten ..... 66  
 Installation ..... 68  
 Technische Informationen - Elektrische Heizgeräte ..... 73

**NL**

Inhoud

Bedieningsinstructies ..... 31  
 Dimensies ..... 65  
 Controlestelsel technische data ..... 66  
 Installatie ..... 68  
 Informatie-eisen voor elektrische toestellen voor lokale ruimteverwarming ..... 75

**IT**

Contenuto

Istruzioni Di Funzionamento ..... 40  
 Dimensioni ..... 65  
 Dati tecnici del sistema di controllo ..... 66  
 Installazione ..... 68  
 Informazioni obbligatorie per gli apparecchi per il riscaldamento d'ambiente locale elettrici ..... 75

**NO**

Innhold

Betjeningsinstrukser ..... 49  
 Dimensjoner ..... 65  
 Kontrollsystem teknisk data ..... 66  
 Installasjon ..... 68

**ES**

Contenido

Instrucciones De Uso ..... 57  
 Dimensiones ..... 65  
 Datos técnicos del sistema de control ..... 66  
 Instrucciones De Instalación ..... 68  
 Requisitos de información que deben cumplir los aparatos de calefacción local eléctricos ..... 75

**IMPORTANT**

**PARTS OF THE OUTER CASING OF THIS APPLIANCE ARE CONSIDERED BY THE MANUFACTURER TO BE A WORKING SURFACE WHICH BECOMES HOT WHEN THE HEATER IS SWITCHED ON. IT IS THEREFORE RECOMMENDED THAT A FIREGUARD COMPLYING WITH BS 8423 (LATEST EDITION) IS USED IN THE PRESENCE OF YOUNG CHILDREN, THE ELDERLY OR INFIRM.**

**THE HEATER OUTLET GRILLE BECOMES VERY HOT WHILST IN OPERATION.  
DO NOT COVER THE OUTLET GRILLE OR ANY PART OF THE APPLIANCE.**

For use with 230V 50Hz electricity supply only.

Please read these instructions carefully before installation and keep them in a safe place.

They will be needed when maintenance or servicing is required.

THIS APPLIANCE MUST BE EARTHED

**THIS PRODUCT IS ONLY SUITABLE FOR WELL INSULATED SPACES AND OCCASIONAL USE.**

**IMPORTANT INFORMATION AND HEALTH AND SAFETY**

**Read all of the instructions carefully before using the appliance.**

**Remove all packaging and dispose of at an appropriate recycling facility.**

Do not locate this appliance immediately below a fixed socket outlet.

Parts of the outer casing of this appliance are considered by the manufacturer to be a working surface which becomes hot when the heater is switched on. You must use a suitable fire guard to protect children, the elderly and the infirm.

Do not use this appliance in the immediate surroundings of a bath, shower, swimming pool or any other area where the appliance could come into contact with water or humidity, e.g. a bathroom.

**WARNING! DO NOT COVER**

Do not allow the appliance to be covered or let the air inlet/outlet become obstructed as the appliance may overheat. Please note the warning symbol on the appliance (see above).

**For indoor use only.** This appliance is not suitable for use outside the house.

This appliance must stand on a clean, level, firm surface. Do not stand the fire on a carpet. Ensure that furniture, curtains etc. are positioned no closer than 1m and the fire stands on a surface that can withstand temperatures of 90°C for prolonged periods. Do not allow rugs to be placed within 500mm of the front of the appliance.

Where the electricity supply cable has to pass through a fire place, stone surround etc. ensure suitable rubber bushes are fitted at possible wear points.

If installed in an open fireplace, blank off the chimney to reduce the risk of a back draught which can cause the safety cut-out to operate.

Keep the power cord away from hot surfaces and hot conditions. Do not route the power lead in front of the appliance.

When the fire has been installed the position of the plug must be accessible.

If the electricity supply cable is damaged do not use the appliance until it has been replaced. For safety reasons the replacement has to be carried out by a Gazco service agent or a similarly competent electrician.

**CAUTION:** In order to avoid a hazard due to inadvertent resetting of the thermal cut-out, this appliance must not be supplied through an external switching device, such as a timer, or connected to a circuit that is regularly switched on and off by the utility.

Do not operate the appliance if it is damaged.

Repairs of electrical appliances must only be performed by an electrical engineer. Should the appliance fail to operate, or in case of any damage, please contact the retailer from whom the appliance was purchased.

This appliance can be used by children aged from 8 years and above and persons with reduced physical, sensory or mental capabilities or lack of experience and knowledge if they have been given supervision or instruction concerning use of the appliance in a safe way and understand the hazards involved. Children shall not play with the appliance. Cleaning and user maintenance shall not be made by children without supervision.

Children of less than 3 years should be kept away unless continuously supervised.

Children aged from 3 years and less than 8 years shall only switch on/off the appliance provided that it has been placed or installed in its intended normal operating position and they have been given supervision or instruction concerning use of the appliance in a safe way and understand the hazards involved. Children aged from 3 years and less than 8 years shall not plug in, regulate and clean the appliance or perform maintenance.

**Caution: Some parts of this product can become very hot and cause burns. Particular attention has to be given where children and vulnerable people are present.**

**However Gazco recommend:**

**This appliance is not intended to be used by persons under the age of 12, persons with reduced physical, sensory or mental capabilities or persons with lack of experience and knowledge in the safe operation of the appliance.**

The appliance may be operated by persons above the age of 12 provided they have been instructed in the safe use of the appliance and that they understand the hazards involved. Persons above the age of 12 may also operate the appliance under the supervision of a responsible adult.

Parts of this appliance become hot whilst in operation and under no circumstances should persons under the age of 12 be left alone with the product when it is in operation unless a suitable fireguard is used to protect them against the possibility of coming into direct contact with the appliance.

Children shall not play with the appliance.

Cleaning and user maintenance shall not be made by children without supervision.

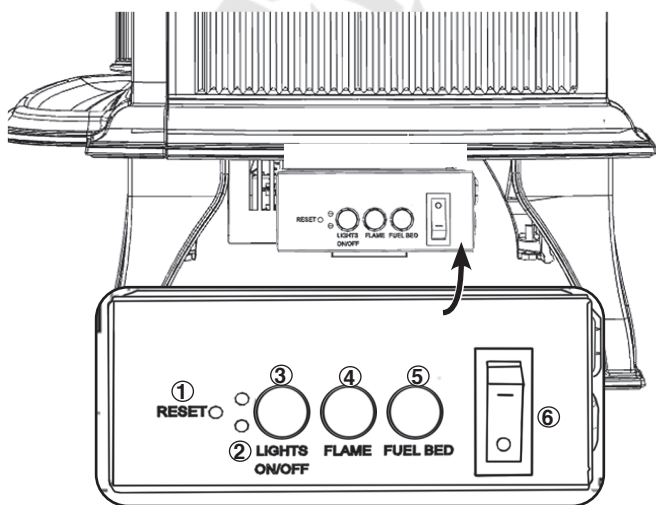
## OPERATING INSTRUCTIONS



**WARNING!** Do not operate the appliance if it is damaged or has malfunctioned. If you suspect the appliance is damaged or has malfunctioned call a qualified service engineer to inspect the appliance, and replace any part of the electrical system if necessary, before reuse.

Do not disconnect the power at the mains supply **whilst the appliance is running**. Use the functions on the remote to turn the fire off and ensure the mains switch has been moved to the off position before disconnecting.

### MANUAL CONTROL PANEL



1. Remote Reset Button
2. Heater Running Indicators
3. All Lights On/Off
4. Flame Setting Button
5. Fuel Bed Setting Button
6. Mains Power On/Off

### OPERATING THE APPLIANCE

Press 6 to **Turn the Appliance On/Off**.



**NOTE:** To use both remote and manual functions the manual on/off switch must be in 'ON' position. To prevent the product overheating, there is a 10s delay when turning on and off the heater fan.

The manual button controls basic functions. Use the remote hand set to carry out all functions.

Press 3 to **Turn Flames and Fuel bed ON/Off** at the same time.

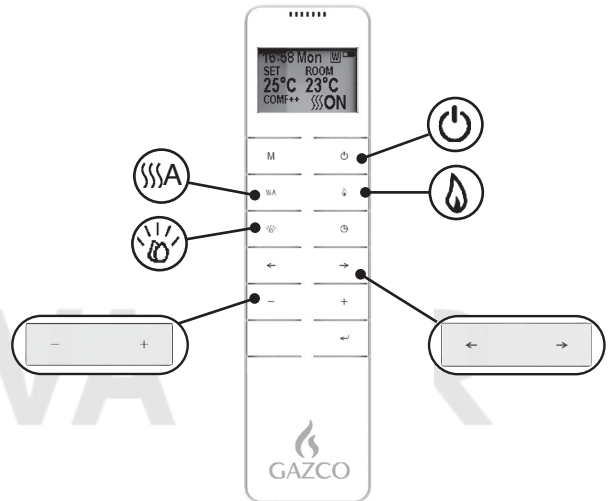
Press 4 to select the colour of flame or return to the OFF position. There are 3 flame colour options.

Press 5 to select the colour of fuel bed or return to the OFF position. There are 14 fuel bed colour options.

**Note:** The appliance will lose the memory for the light functions when the switch is set to the Off Position or the remote runs out of power.

### REMOTE CONTROL

The remote control should be left on a flat surface in the room where the appliance is installed and away from any direct flow of hot air.



- Power On/Off

- Heater

- Flames

- Fuel Bed

- Colour option

- Levels

### OPERATING THE APPLIANCE - QUICK START



**Turn the Appliance On/Off**

The appliance will start on the last remembered setting.



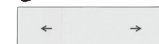
**Turn the Heater On/Off.**



- Increase or decrease the heat output.



**Turn the Flame Effect On/Off.**



- Change the colour option.

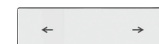
There are 3 flame colour options:



- Increase or decrease the brightness level.



**Turn the Fuel Bed Effect On/Off.**



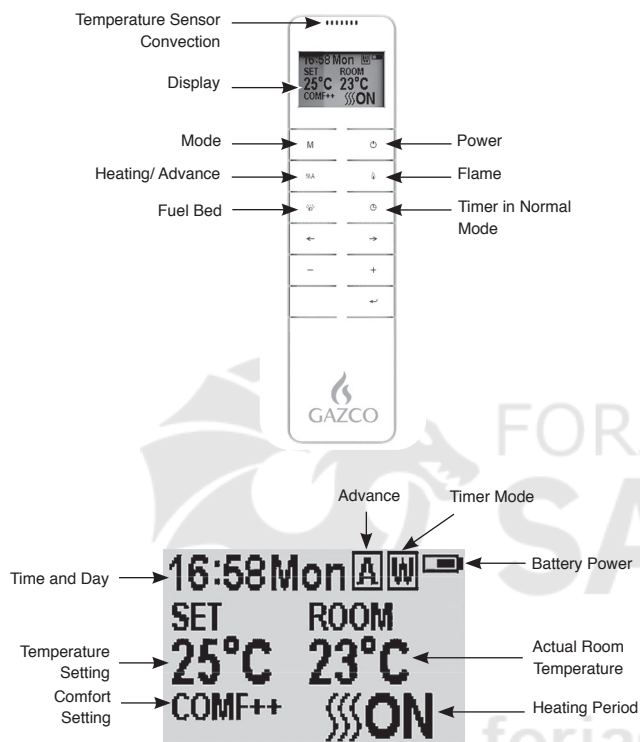
- Change the colour option.

There are 14 fuel bed colour options:





- Increase or decrease the brightness level.


## OPERATING THE APPLIANCE - ADVANCED OPERATION



### TURN ON/OFF

Press  button to turn on the flame effect.

Press  button to turn off all the functions under the normal heating control mode.

Press  button to turn off the flame effect under daily and week timer heating mode.

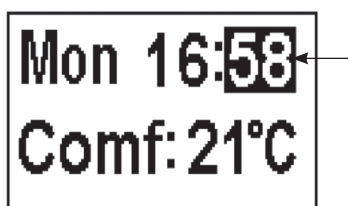
### WEEK DAYS/ TIME/ COMFORT TEMPERATURE AND UNIT SETTING

Ensure the clock is set to the correct time.

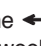
Press **M** for 3 seconds.

Press the '**<**' or '**>**' button to choose setting.

The selected character will be highlighted.



Press the '+' or '-' button to adjust the number.  
Time: 24-hour system.  
Select Comfort temperature from 15-25°C.  
Temperature unit: °C/°F.

Press the  button for 3 seconds or wait 10 seconds to save and exit the week, time and heating temperature setting.


### DAILY TIMER HEATING

The following heating periods have been preset, but can be altered if desired:

06:00 until 08:00  
17:00 until 22:00

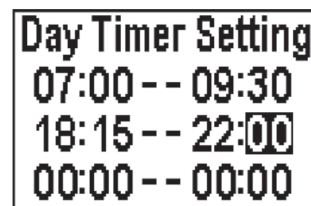
Press **M** until **D** shows at the upper right corner of the screen.

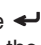



Hold the  button for 6 seconds.  
3 timed heating periods can be set per day.

Press '**<**' or '**>**' to choose hour or minute.

Press '+' or '-' to set the number.  
The minute increment / decrement by 15min per press.



Hold the  button for 3 seconds or wait for 10 seconds to save and exit the heating time period setting.

Press  to check the daily timer mode.  
To turn heating off, return to Normal Control Mode.

**When in Daily Timer Mode switching the appliance off with the remote will stop the light output. The heat output will continue according to the timer settings.**

### ADJUSTING THE SET TEMPERATURE

Press the '+' or '-' button to increase or decrease the temperature on the basis of COMF temperature.

**COMF** means the actual temperature is the same as setting.

**ECO** means the actual temperature is 2°C lower than the setting temperature.

**ECO-** means 4°C lower.

**COMF+** means 2°C higher.

**COMF++** means 4°C higher.

### ADAPTIVE START CONTROL

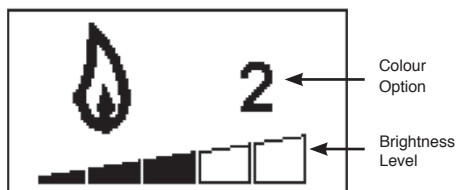
The heater will automatically determine the appropriate time to heat to ensure that it will reach the set-pointed temperature at the set time (up to 45 minutes prior to the set time).

## FLAME COLOUR ADJUSTMENT

Press button.

There are 3 flame colour options.

There are 6 levels of brightness, including off.



Press the '←' or '→' button to cycle through the flame colour options.

Press the '+' button to increase the flame brightness.

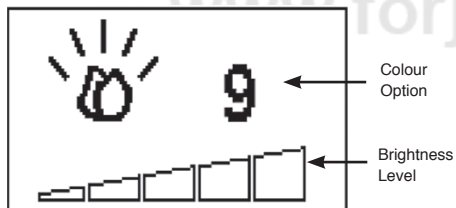
Press the '-' button to decrease the flame brightness until off.

## FUEL BED COLOUR ADJUSTMENT

Press to enter the fuel bed light adjustment screen.

There are 14 fuel bed colour options.

There are 6 levels of brightness, including off.



Press the '←' or '→' button to cycle through the fuel bed colour options.

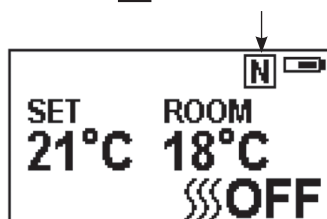
Press the '+' button to increase the fuel bed brightness.

Press the '-' button to decrease the fuel bed brightness until off.

## NORMAL CONTROL MODE

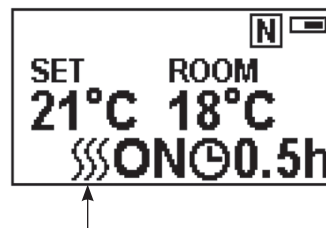
Normal Control Mode is the default setting.

Press **M** button until the **N** logo is shown



Press the '+' or '-' button to adjust the setting temperature from 17°C to 25°C.

Press **SSS A** button to turn the heat on/off.



Note: It is normal for the fan heater to stop running for periods of time. This happens if the room temperature is higher than the temperature set on the control.

The heater indicator will be turned off after 10s if the flame is switched ON. The heater indicator will stay ON if only the heating function is used.

**When in Normal Control Mode switching the appliance off with the remote will stop both the light and heat output.**

## COUNT DOWN TIMER

This setting is only in normal heating control mode. It allows the appliance to be returned to Standby after a set period of time. The heater must be switched on to use this function.

Press to cycle through the setting from Off and 0.5 hours to 9 hours. Timer logo and remaining time will show on the screen.

The heater of appliance can be automatically run by using daily timer and weekly timer.

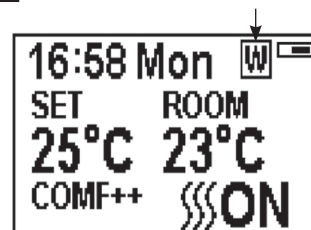
## WEEK TIMER HEATING

The following heating periods have been preset, these can be altered if desired:

From Monday to Friday  
06:00 until 08:30  
17:00 until 22:00

From Saturday to Sunday  
06:30 until 09:30  
11:00 until 13:00  
17:00 until 22:00

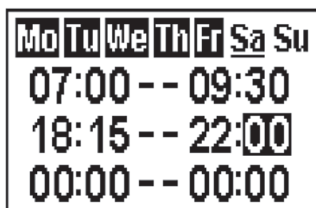
Press **M** until **W** shows.



Hold the button for 6 seconds.

Press '←' or '→' to move the cursor (a flashing underline).

Press the  $\leftarrow$  button in the corresponding week position to select (the character is highlighted) or cancel (the character is displayed normally) the current setting, the same time period can be selected together.



Press the ' $\rightarrow$ ' button to move the cursor to the time period setting area.

Press ' $\leftarrow$ ' or ' $\rightarrow$ ' button to choose hour or minute.

Press '+' or '-' to set the number.

A maximum of 3 timed heating periods can be set per day. Minute increment / decrement by 15min per press.

Press  $\leftarrow$  to set the heating time for the selected day and return to the week line.

Hold the  $\leftarrow$  button for 3 seconds or wait for 10 seconds to save and exit the heating time period setting.

Press  $\leftarrow$  ' $\leftarrow$ ' or ' $\rightarrow$ ' to check the timer setting for the week timer heating mode.

To turn heating off, return to Normal Control Mode.

**When in Weekly Timer Mode switching the appliance off with the remote will stop the light output. The heat output will continue according to the timer settings.**

### ADJUSTING THE SET TEMPERATURE

Press the '+' or '-' button to increase or decrease the temperature on the basis of COMF temperature.

**COMF** means the actual temperature is the same as setting.

**ECO** means the actual temperature is 2°C lower than the setting temperature.

**ECO-** means 4°C lower.

**COMF+** means 2°C higher.

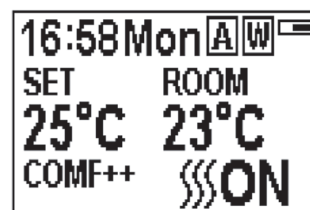
**COMF++** means 4°C higher.

### ADAPTIVE START CONTROL

The heater will automatically determine the appropriate time to heat to ensure that it will reach the set-pointed temperature at the set time (up to 45 minutes prior to the set time).

### ADVANCE MODE

The heating state can be advanced to the next period under both the daily and week timer heating mode.

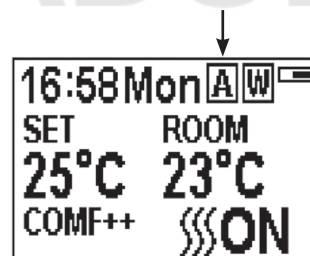


If the heater is on in the current period, pressing the button will turn the heater off.

If the heater is off in the current period, pressing the button will turn the heater on.

Heating output depends on the room temperature and setting temperature.

Press  $\left\{ \left\{ \left\{ A \right. \right\} \right\}$  to enter the Advance mode under the daily and week timer heating mode.



Press  $\left\{ \left\{ \left\{ A \right. \right\} \right\}$  again or timer period ends will exit the Advance mode.

### WINDOW OPEN DETECTING

When the transmitter detects a rapid drop in room temperature, it will be judged as an open window: the warning icon will be displayed and the heating will be turned off automatically.



After indoor temperature rise or manual intervention (by operating remote control), it will return to normal working state.

## OPERATING THE APPLIANCE - TROUBLESHOOTING

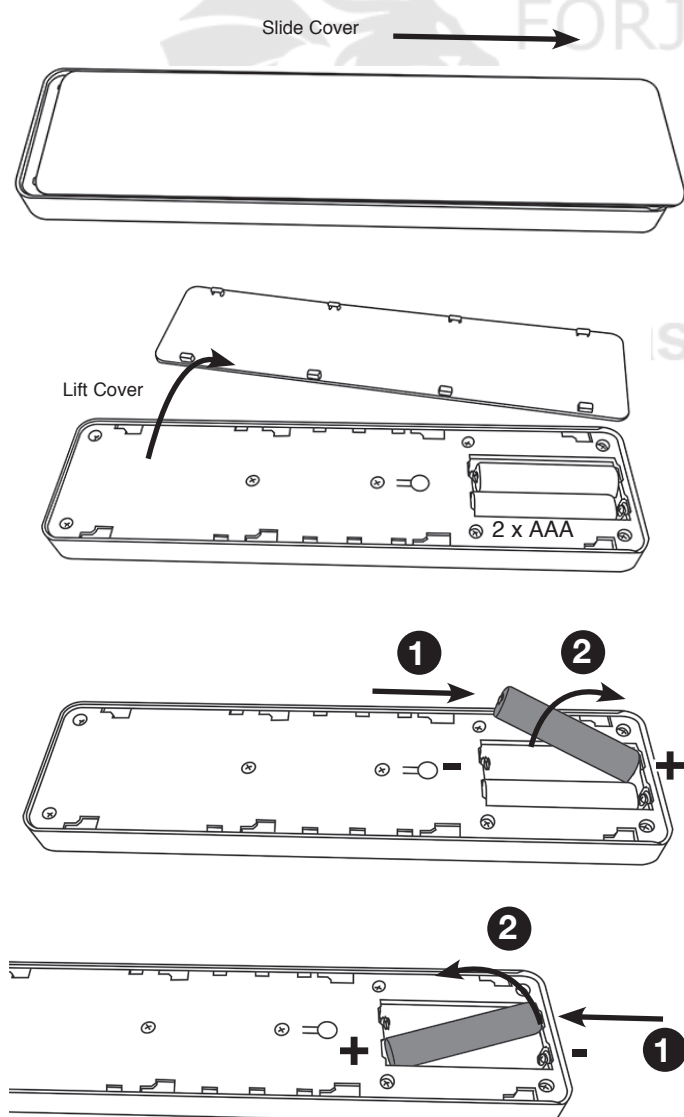
### BATTERY

The battery power level is indicated at the top right of the remote control screen.

	Battery Full	No action required
	Battery Half Power	Ensure new batteries are available.
	Battery Empty	Replace batteries immediately

### BATTERY REPLACEMENT

Exhausted batteries are to be removed from the appliance and safely disposed of.



Ensure that the handset batteries are new and inserted correctly.

Dispose of old batteries at an appropriate recycling facility.

Battery replacement is recommended after 1 year.  
The Remote requires two 1.5V alkaline AAA batteries.

Ensure the correct polarity.  
Do not short circuit the terminals.

Do not attempt to recharge non-rechargeable batteries.

Remove rechargeable batteries before charging.

Do not mix old and new batteries.

Remove batteries if the appliance is not used for long periods.

**Changing the batteries will not affect the Timer Mode settings.  
Ensure the clock is set to the correct time.**



**NOTE:** To use both remote and manual functions the manual on/off switch must be in 'ON' position. In order to prevent the product becoming too hot, there is 10s delay when turning on the heater and a 10s delay when turning off the heater fan.

**The manual button controls basic functions, not a full range of controls. Use the remote hand set to carry out all functions.**

### HEATER RUNNING INDICATORS

When the fan heater is used in conjunction with the flame or fuel bed effects the heater running indicators will light up for 10 seconds.

The LEDs will illuminate for 10 seconds if the flame or fuel bed effect is On.

If the fan heater is used independently, the heater running indicators will stay on.

### RESET BUTTON FOR REMOTE CONTROL

If the handset loses signal or needs to be replaced then, see Servicing Section for details.

### SIGNAL CODE

The handheld transmitter is configured in the factory with a unique signal code.

**IMPORTANT:** If the handset loses signal or needs to be replaced, see Servicing Section for details.

## MAINTENANCE



**IMPORTANT: THE OUTER PANNELLING OF THE HUNTINGDON IS MADE FROM CAST IRON. USE CAUTION WHEN INSTALLING, REMOVING AND STORING AS THE COMPONENTS ARE HEAVY AND SHOULD BE HANDLED CAREFULLY.**

**ALWAYS UNPLUG FROM MAINS SUPPLY BEFORE CLEANING OR UNDERTAKING ANY MAINTENANCE.**

### GENERAL CLEANING

Only clean the outer casing when it is cold. Do not use abrasive cleaners.

### CLEANING FRONTS

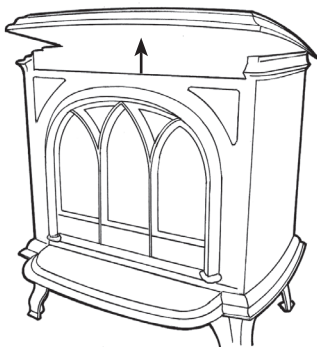
Wipe the glass viewing panel with a damp cloth and buff with a lint free duster.

**Caution: Do not use abrasive cleaners on the glass panel. Do not spray liquids directly onto any surface of the unit.**

### CLEANING THE FUEL EFFECT

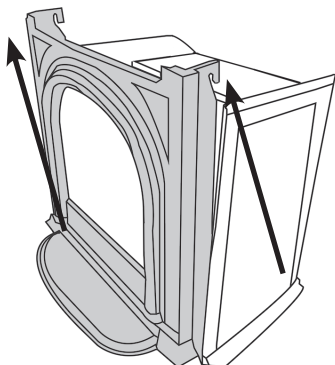
To access the fuel effect it will be necessary to remove the glass viewing panel.

Ensure the appliance is unplugged.



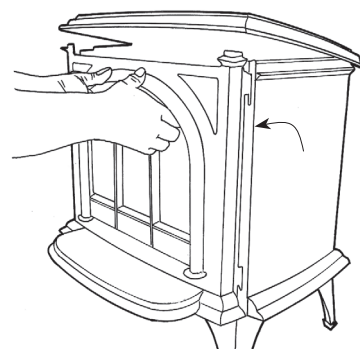
### HUNTINGDON 20 & 40

Supporting the door top and bottom pull forwards whilst lifting the front upwards at a 45° angle until it is clear of the slots and pull away from the appliance, see Diagram.

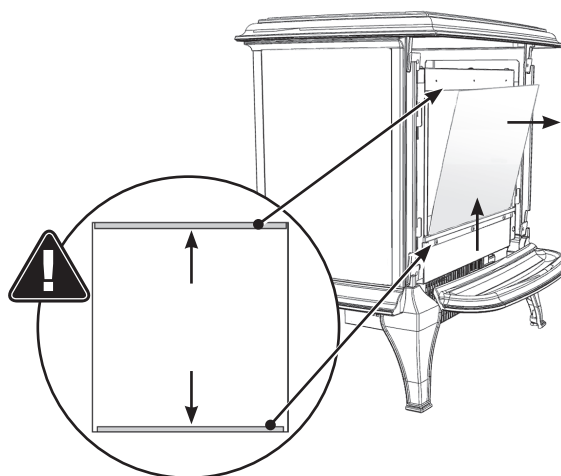
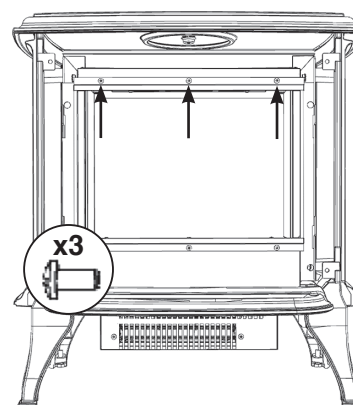


### HUNTINGDON 30

Lift the front upwards until it is clear of the slots and pull away from the appliance, see Diagram.



### ALL MODELS



The fuel effect can now be accessed.

Remove and wash the fuel effect to remove any dust particles. Alternatively clean with a lint free duster.

**Ensure that the effect is dry before replacing.**

**Replace the fuel effect see Installation Instructions for layout.**

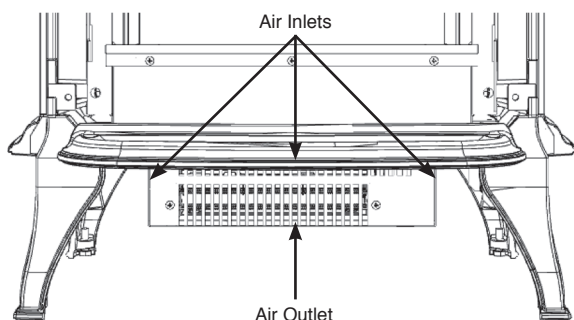
Replace in reverse order.

## CLEANING AIR INLETS

Ensure the appliance is unplugged.

Clean the air inlet and outlet grilles regularly with a soft cloth or the nozzle of a vacuum cleaner.

Note: There are air inlets positioned between the inner and outer boxes, ensure that these are cleaned regularly.



**Dust build-up can inhibit efficient performance of the fan and lead to the safety cut-out operating.**

Keep the area around the appliance clean and free of fluff, dust or pet hair.

In particular, build-up of dust etc. can occur around the heater area. Take particular care to keep this area free from such particles on a regular basis to prevent build-up.

## INSTALLATION

### GENERAL

#### TOOLS REQUIRED

1 X Screwdriver

#### UNPACKING THE APPLIANCE

**WARNING! DO NOT use this appliance if any part has been exposed to water.**

Immediately call a qualified service technician to inspect and to replace any part of the electrical system if necessary.

Open the packaging carefully and remove the polystyrene. Remove and discard the plastic bag. Keep plastic wrapping away from children. Be responsible when handling the packing materials.

Check all parts and accessories are removed before disposing of any packaging.

If necessary keep the original packaging for future transport and/or storage.

Test the appliance before installation.



**This appliance is heavy and does not require anchoring to the hearth or floor, but in certain circumstances the appliance can become unstable e.g. when leaning on the appliance. If this is likely, secure the appliance to the hearth or floor with suitably strong fixings.**

## LOCATING THE APPLIANCE

The appliance may be installed virtually anywhere in your home. However, when choosing a location ensure that the general instructions are followed.

For best results, install out of direct sunlight.

If the power cord is damaged contact your Gazco retailer for a replacement. Only use genuine Gazco parts on this appliance.

The appliance should be located close to a suitable mains socket to enable connection.

The electrical socket must be easily accessible to allow disconnection when the appliance is fitted.

This appliance must stand on a clean, level, firm surface. Do not stand the appliance on a carpet. Ensure that furniture, curtains etc. are positioned no closer than 1m and the appliance stands on a surface that can withstand temperatures of 90°C for prolonged periods. Do not allow rugs to be placed within 500mm of the front of the appliance.

Ensure that curtains and furniture are not positioned close to the chosen position, as this would create a potential fire hazard or block the heater outlet ducts.

**WARNING! KEEP ANY COMBUSTIBLE MATERIALS AT LEAST 1M FROM THE FRONT AND SIDES OF THE APPLIANCE.**

**ALL INGLENOOK FIREPLACE OPENINGS:**

For all models the dimensions required for an inglenook installation can be calculated by adding 225mm (9") to the height of the appliance and 150mm (6") to each side. An additional 50mm (2") must be added to the depth to provide adequate space behind the appliance.

**SERVICING AND SUPPORT****Servicing and Support**

To keep your appliance looking and performing at its best, it must be serviced annually. This service must be undertaken by a suitably qualified individual and your retailer can organise this for you. Alternatively, Gazco offer a manufacturers premium service with our friendly team of qualified engineers which can be booked at [www.gazco.com/support](http://www.gazco.com/support)

**SERVICING REQUIREMENTS**

**DURING SERVICING OF THIS APPLIANCE IT MAY BE NECESSARY TO CUT CABLE TIES IN ORDER TO ACCESS AND REMOVE SOME OF THE PARTS. THESE MUST BE REPLACED WHEN REASSEMBLING THE APPLIANCE.**

**THIS APPLIANCE MUST ONLY BE SERVICED BY A SUITABLY QUALIFIED PERSON.**

**BEFORE UNDERTAKING ANY WORK ON THE APPLIANCE: SWITCH OFF THE APPLIANCE AND ISOLATE THE POWER SUPPLY ENSURING THERE IS NO POWER TO THE APPLIANCE.**

Wait for at least 10 minutes until the appliance has cooled down.

**Remote Handset Battery Replacement**

Replace with 2 AAA batteries. Make sure the batteries are installed correctly in the remote control.



**NOTE: The remote control has a Battery Status indicator (top right corner), after an extended period of displaying empty the LED screen will cease to function despite the handset still being able to send commands. Replace the batteries to restore display.**

**Maintenance of Motors**

The motor used on the flame effect is pre-lubricated for extended bearing life and requires no further lubrication. However, periodic cleaning/vacuuming of the heater unit is recommended.

**Resetting the Thermal Cutout Switch**

The appliance is fitted with an Electronic Safety Control (E.S.). This is a safety device which switches off the fire if, the appliance overheats for any reason e.g. when covered.

If the heater stops operating whilst the flame effect continues normally, this indicates that the E.S. Control is in operation. The E.S. Control can only be re-set after the appliance has cooled down.

To re-set the E.S:

Switch off the appliance (Manual On/Off switch) and leave for approximately 120 minutes.

Remove any obstruction to the fan heater outlet or other internal parts.

Switch on appliance and the E.S. Control will re-set. Ensure that the appliance is functioning correctly. If the E.S. Control operates again, the appliance should be checked by a competent Electrician.

## IMPORTANT

**CERTAINES PARTIES EXTERNES DE L'APPAREIL SONT CONSIDÉRÉES, PAR LE FABRICANT, COMME ÉTANT DES SURFACES DE TRAVAIL QUI DEVIENNENT CHAUDES LORSQUE LE CHAUFFAGE EST EN MARCHÉ. IL EST DONC FORTEMENT RECOMMANDÉ D'UTILISER UNE GARDE CONFORME À LA NORME BS 8423 (DERNIÈRE ÉDITION) EN PRÉSENCE DE JEUNES ENFANTS, DE PERSONNES ÂGÉES OU HANDICAPÉES.**

**LA GRILLE D'ÉVACUATION DU SYSTÈME DE CHAUFFAGE DEVIENT TRÈS CHAUDE LORS DU FONCTIONNEMENT. NE PAS COUVRIR LA GRILLE D'ÉVACUATION NI TOUTE AUTRE PARTIE DE L'APPAREIL.**

Pour utilisation uniquement avec une alimentation électrique de 230V, 50Hz.

Veuillez lire ces instructions avec attention avant de procéder à l'installation, et les conserver en lieu sûr car vous en aurez besoin en cas de maintenance et de service.

CET APPAREIL DOIT ÊTRE RELIÉ À LA TERRE

**CE PRODUIT NE PEUT ÊTRE UTILISÉ QUE DANS DES LOCAUX BIEN ISOLÉS OU DE MANIÈRE OCCASIONNELLE.**

## INFORMATIONS IMPORTANTES ET HYGIÈNE ET SÉCURITÉ

**Lisez attentivement toutes les instructions avant d'utiliser l'appareil.**

**Les emballages doivent être jetés dans un centre de recyclage approprié.**

Ne pas placer l'appareil immédiatement au-dessous d'une sortie fixe de prise.

Certaines parties externes de l'appareil sont considérées, par le fabricant, comme étant des surfaces de travail qui deviennent chaudes lorsque le chauffage est en marche. Vous devez utiliser une garde adéquate pour protéger les enfants, les personnes âgées et les infirmes.

Ne pas utiliser cet appareil à proximité immédiate d'une baignoire, d'une douche, d'une piscine ou de tout autre lieu où l'appareil risque d'être en contact avec l'eau.



### ATTENTION: NE PAS RECOUVRIR!

ATTENTION: Ne pas recouvrir l'appareil ou boucher l'arrivée / la sortie d'air car cela risque de provoquer la surchauffe de l'appareil. Veuillez noter le symbole d'avertissement sur l'appareil (voir ci-dessus).

**Uniquement pour utilisation à l'intérieur.** Cet appareil n'est pas adapté à une utilisation à l'extérieur de la maison.

Cet appareil doit reposer sur une surface plate et ferme, et non pas sur une moquette ou un tapis. Veiller à ce que l'ameublement, les rideaux, etc. ne soient pas à moins d'un mètre de l'appareil et l'appareil doit reposer sur une surface pouvant supporter des températures de 90° C pendant des périodes prolongées. Ne jamais poser un tapis à moins de 500 mm de la face du poêle.

Lorsque le câble d'alimentation électrique doit passer à travers une cheminée, un entourage en pierre, etc., le munir d'une bague en caoutchouc aux points de frottement possible.

En cas d'installation dans une cheminée ouverte, boucher le conduit de fumée de manière à réduire le risque de refoulement susceptible de provoquer le déclenchement du dispositif d'arrêt d'urgence.

Éloigner le câble d'alimentation électrique des surfaces chaudes et des zones à haute température. Ne pas faire passer le câble d'alimentation électrique devant l'appareil.

Une fois l'appareil installé, l'emplacement de la prise doit être accessible.

Si le câble d'alimentation électrique est endommagé, ne pas utiliser l'appareil jusqu'à ce qu'il ait été remplacé. Pour des questions de sécurité, le remplacement doit être effectué par la société Gazco, un agent de service Gazco ou bien par un électricien compétent.

**ATTENTION:** Afin d'éviter tout danger suite à une réinitialisation accidentelle de la coupure thermique, cet appareil ne doit pas être alimenté par un dispositif de commutation externe, comme un minuteur ou connecté à un circuit qui est régulièrement mis sous et hors tension par l'utilité.

Ne pas utiliser l'appareil s'il est endommagé.

Les réparations des appareils électriques ne doivent être effectuées que par un électricien. Si l'appareil ne fonctionne pas ou en cas de dommages, veuillez contacter le revendeur qui vous a livré l'appareil.

Cet appareil peut être utilisé par des enfants âgés de 8 ans et plus et par des personnes ayant des capacités physiques, sensorielles ou mentales réduites ou manquant d'expérience et de connaissances, si elles sont sous surveillance ou suivent les instructions relatives à l'utilisation de l'appareil de manière sûre et comprennent les risques inhérents. De ne pas laisser les enfants jouer avec l'appareil. De ne pas laisser les enfants effectuer le nettoyage et l'entretien sans surveillance.

Les enfants de moins de 3 ans doivent toujours être tenus éloignés sauf s'ils sont constamment surveillés.

Les enfants entre 3 ans et 8 ans ne devront mettre sous/hors tension l'appareil que si ce dernier a été placé ou installé dans sa position d'utilisation normale prévue et sous surveillance ou en suivant les instructions relatives à l'utilisation de l'appareil de manière sûre et s'ils comprennent les risques inhérents. Les enfants entre 3 ans et 8 ans ne devront pas brancher, régler et nettoyer l'appareil ni l'entretenir.

**Attention: certaines pièces de ce produit peuvent devenir très chaudes et provoquer des brûlures. Une attention particulière doit être accordée aux enfants et aux personnes vulnérables.**

**Toutefois, Gazco recommande :**

**L'usage de cet appareil est déconseillé aux personnes de moins de 12 ans, aux personnes aux capacités intellectuelles, sensorielles ou physiques limitées ou aux personnes qui manquent d'expérience et de connaissance pour manipuler cet appareil en toute sécurité.**

L'appareil peut être manipulé par des personnes de plus de 12 ans à condition qu'elles aient bien assimilé les consignes de sécurité de l'appareil et qu'elles ont compris les risques encourus. Les personnes âgées de plus de 12 ans peuvent aussi manipuler l'appareil sous la surveillance d'un adulte responsable.

Les pièces de cet appareil deviennent chaudes quand il est en marché et il ne faut en aucun cas laisser des personnes de moins de 12 ans sans surveillance avec le produit en marche à moins qu'un coupe-feu ne soit utilisé pour les empêcher d'entrer en contact direct avec l'appareil.

De ne pas laisser les enfants jouer avec l'appareil.

De ne pas laisser les enfants effectuer le nettoyage et l'entretien sans surveillance.

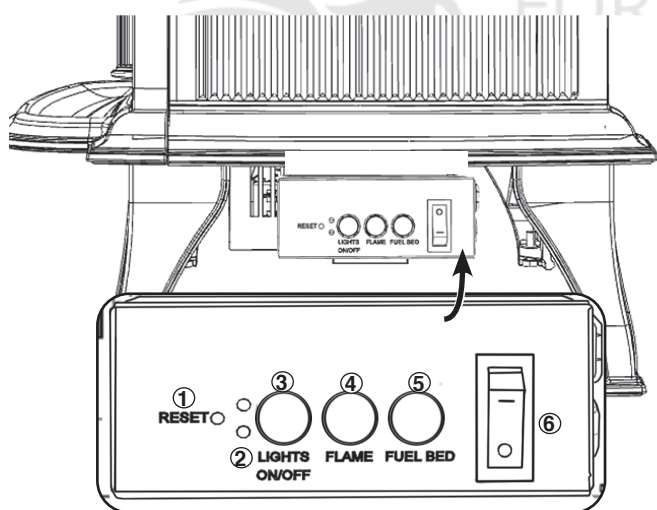
## MODE D'EMPLOI



**ATTENTION!** Ne pas allumer l'appareil s'il est endommagé ou en cas de dysfonctionnement. Si vous pensez que l'appareil est endommagé ou en cas de dysfonctionnement, veuillez contacter un technicien de service qualifié pour inspecter l'appareil, et remplacer toutes pièces du circuit électrique si nécessaire avant de le remettre en marche.

De ne pas débrancher l'appareil du secteur lorsque l'appareil fonctionne. Utilisez les fonctions de la télécommande pour arrêter le feu et veillez à ce que l'interrupteur d'alimentation soit placé sur la position arrêt avant de débrancher.

### PANNEAU DE COMMANDE MANUELLE



1. Bouton Réinitialisation de la télécommande
2. Indicateurs de fonctionnement de l'appareil de chauffage
3. Bouton Marche/Arrêt toutes les lumières
4. Bouton d'effet flamme
5. Lit de combustible bouton de réglage
6. Stand-by On/Off Interrupteur

### UTILISATION DE L'APPAREIL

Appuyez sur 6 pour **allumer/éteindre l'appareil**.



**REMARQUE :** Pour utiliser les fonctions de la télécommande et manuelles, l'interrupteur marche/arrêt manuel doit être sur la position 'ON'. Pour éviter une surchauffe du produit, il y a un délai de 10 s lors de la mise en marche de l'appareil de chauffage et un délai de 10 s lors de l'arrêt du ventilateur de l'appareil de chauffage.

Le bouton manuel commande les fonctions de base, pas toutes les commandes. Utilisez la télécommande pour exécuter toutes les commandes.

#### MISE SOUS/HORS TENSION

Appuyez sur 3 pour **allumer/éteindre les flammes et le lit de combustible en même temps**.

Appuyez sur 4 pour sélectionner la couleur de la flamme ou revenir à la position **ARRÊT**.

Il existe 3 options de couleur de flamme.

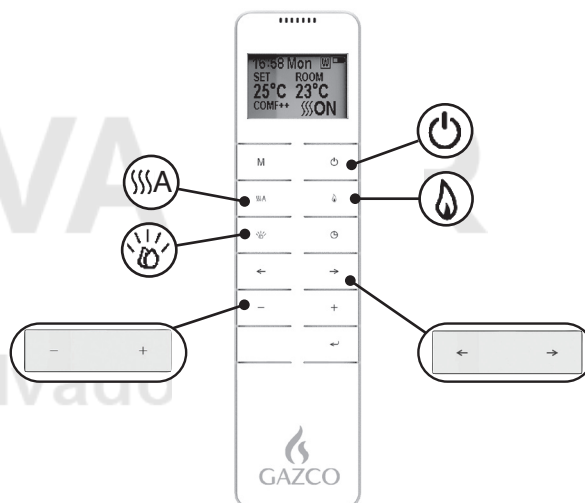
Appuyez sur 5 pour sélectionner la couleur du lit de combustible ou revenir à la position **ARRÊT**.

Il existe 10 options de couleur de lit de combustible.

**Remarque :** Les fonctions d'éclairage de l'appareil seront effacées lorsque l'interrupteur sera placé sur la position Arrêt ou si la télécommande est déchargée.

### COMMANDES À DISTANCE

La télécommande doit être posée sur une surface plane dans la pièce où l'appareil est installé et loin du courant d'air chaud direct.



- Alimentation

- Chauffage/ Avance

- Flamme

- Lit de combustible

- Options de couleur

- Niveaux

### UTILISATION DE L'APPAREIL - DÉMARRAGE RAPIDE

**Allumer/éteindre l'appareil**  
L'appareil démarrera sur le dernier réglage enregistré.

**Allumer/éteindre le chauffage.**  
 - Augmente ou diminue la chaleur émise.

**Allumer/éteindre l'effet flamme.**  
 - Changer l'option de couleur.  
Il existe 3 options de couleur de flamme.

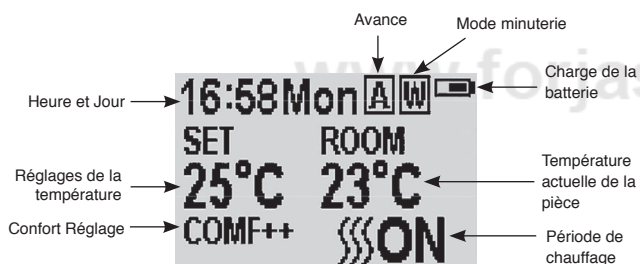
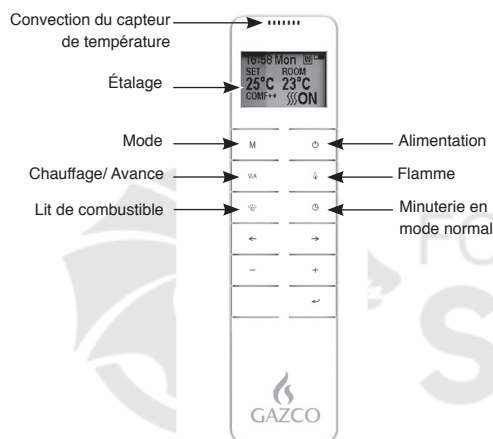
- Augmente ou diminue le niveau de luminosité.

### Allumer/éteindre l'effet du lit de combustible.

- Changer l'option de couleur.  
Il existe 14 options de couleur de lit de combustible.

- Augmente ou diminue le niveau de luminosité.

## UTILISATION DE L'APPAREIL - FONCTIONNEMENT AVANCÉ



### MISE SOUS/HORS TENSION

Appuyez sur le bouton pour activer l'effet flamme.

Appuyez sur le bouton pour désactiver toutes les fonctions en mode de commande de chauffage normal y compris l'effet flamme et l'appareil de chauffage du ventilateur.

Appuyez sur le bouton pour désactiver l'effet flamme en mode de chauffage minuté quotidien et hebdomadaire.

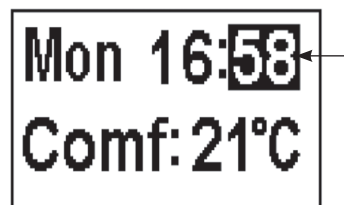
### RÉGLAGE DE L'UNITÉ ET DE LA TEMPÉRATURE DE CONFORT/JOURS DE LA SEMAINE/HEURE

Veillez à bien régler l'horloge.

Maintenez le **M** bouton pressé pendant 3 secondes pour entrer dans l'écran de réglage.

Appuyez sur le bouton '' ou '' pour choisir le paramètre à changer.

Le caractère sélectionné sera mis en surbrillance.



Appuyez sur le bouton '+' ou '-' pour régler le nombre.

Heure : Système 24 heures.

Sélectionnez une température de confort entre 15-25°C.

Unité de température : °C/°F.

Appuyez sur le bouton pendant 3 secondes ou attendez 10 secondes pour enregistrer et quitter le réglage de la semaine, heure et température.

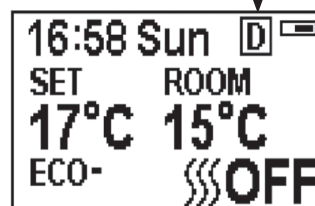
### CHAUFFAGE À MINUTERIE QUOTIDIENNE

Les périodes de chauffage suivantes ont été prédéfinies, celles-ci peuvent être modifiées selon les besoins :

06:00 jusqu'à 08:00

17:00 jusqu'à 22:00

Appuyez sur **M** jusqu'à ce que **D** s'affiche en haut à droite de l'écran pour passer en mode de chauffage à minuterie quotidienne.



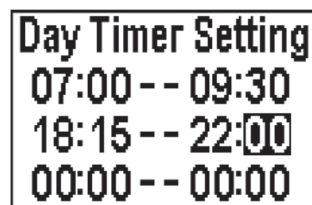
Maintenez le bouton pressé pendant 6 secondes pour entrer dans le paramètre du chauffage quotidien.

3 périodes de chauffage minutées maximum peuvent par configurées par jour.

Appuyez sur '' ou '' pour choisir heure ou minute.

Appuyez sur '+' ou '-' pour régler le nombre.

Les minutes augmentent / diminuent de 15 par pression.



Maintenez le bouton pressé pendant 3 secondes ou attendez 10 secondes pour enregistrer et quitter le réglage de la période de chauffage.

Contrôlez le réglage de la minuterie. Appuyez sur pour contrôler le mode minuterie quotidienne.

Si le chauffage doit être arrêté, il faudra revenir en arrière au Mode de commande normale pour l'arrêter.

Lorsque vous êtes en Mode minuterie quotidienne, l'arrêt de l'appareil avec la télécommande coupera la puissance calorifique. La puissance calorifique se poursuivra selon les réglages de la minuterie.

## RÉGLAGE DE LA TEMPÉRATURE DÉFINIE

Appuyez sur le bouton '+' ou '-' pour augmenter ou réduire la température sur la base de la température COMF.

**COMF** signifie que la température actuelle est la même que le réglage.

**ECO** signifie que la température actuelle est 2°C inférieure à la température du réglage.

**ECO-** signifie 4°C inférieure.


**COMF+** signifie 2°C supérieure.

**COMF++** signifie 4°C supérieure.

## COMMANDE DE MISE EN ROUTE ADAPTIVE

Selon la température de la pièce et la température définie, l'appareil de chauffage déterminera automatiquement l'heure appropriée à laquelle chauffer pour s'assurer qu'elle atteindra la température définie dans la durée définie (jusqu'à 45 minutes avant l'heure définie).

## AJUSTEMENT DE LA COULEUR DE LA FLAMME

Appuyez sur le bouton  pour entrer dans l'écran d'ajustement de la flamme.

Il y a 3 options de couleur de flamme, indiquées par le nombre.

Il y a 6 niveaux de luminosité, y compris arrêt. Ceci est indiqué par la barre, avec la barre vierge indiquant arrêt.




Appuyez sur le bouton '←' ou '→' pour parcourir les options de couleur de flamme.

Appuyez sur le bouton '+' pour augmenter la luminosité de la flamme.

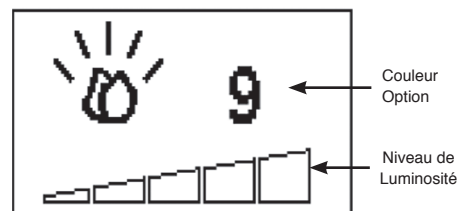
Appuyez sur le bouton '-' pour réduire la luminosité de la flamme jusqu'à l'éteindre.

## AJUSTEMENT DE LA COULEUR DU LIT DE COMBUSTIBLE

Appuyez sur le bouton  pour entrer dans l'écran d'ajustement de la lumière du lit de combustible.

Il y a 14 options de couleur de lit de combustible, indiquées par le nombre.

Il y a 6 niveaux de luminosité, y compris arrêt. Ceci est indiqué par la barre, avec la barre vierge indiquant arrêt.



Appuyez sur le bouton '←' ou '→' pour parcourir les options de couleur de lit de combustible.

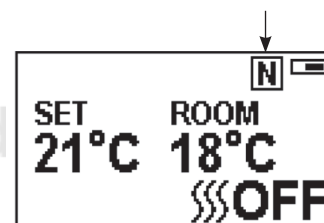
Appuyez sur le bouton '+' pour augmenter la luminosité du lit de combustible.

Appuyez sur le bouton '-' pour réduire la luminosité du lit de combustible jusqu'à l'éteindre.

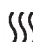


## MODE DE COMMANDE NORMALE

Le Mode de commande normale est le réglage par défaut.

Si vous appuyez sur le bouton **M** jusqu'à ce que le logo **N** s'affiche en haut à droite de l'écran.



Appuyez sur le bouton '+' ou '-' pour régler la température entre 17°C et 25°C.

Appuyez sur le bouton  pour mettre sous/hors tension l'appareil de chauffage,  MARCHE ou  ARRÊT s'affichera en bas à droite de l'écran.




Remarque : Il est normal que l'appareil de chauffage à ventilateur s'arrête de fonctionner pendant certaines durées. Ceci se produit lorsque la température de la pièce est supérieure à la température définie sur la commande.

L'indicateur de chauffage s'éteindra au bout de 10 s si la flamme est allumée. L'indicateur de chauffage restera allumé si seule la fonction chauffage est utilisée.

**Lorsque vous êtes en Mode de commande normale, l'arrêt de l'appareil avec la télécommande coupera la puissance calorifique et la lumière.**

## COMPTE À REBOURS

Ce réglage est uniquement en mode de commande de chauffage normale. Il permet à l'appareil de revenir en mode de veille après un certain temps. L'appareil de chauffage doit être mis en marche pour utiliser cette fonction.

Appuyez sur  pour parcourir les réglages d'Arrêt et 0,5 heures à 9 heures. Le logo de la minuterie et le temps restant s'afficheront à l'écran.

Le chauffage de l'appareil peut être lancé automatiquement en utilisant la minuterie quotidienne et la minuterie hebdomadaire sur la télécommande.

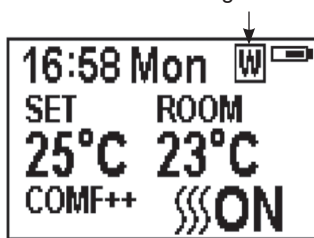
## CHAUFFAGE À MINUTERIE HEBDOMADAIRE


Les périodes de chauffage suivantes ont été prédéfinies, celles-ci peuvent être modifiées selon les besoins:

Du lundi au vendredi  
06:00 jusqu'à 08:30  
17:00 jusqu'à 22:00


Du samedi au dimanche  
06:30 jusqu'à 09:30  
11:00 jusqu'à 13:00  
17:00 jusqu'à 22:00

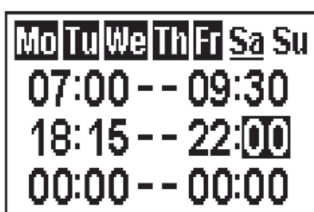
Appuyez sur **M** jusqu'à ce que  s'affiche en haut à droite de l'écran pour passer en mode de chauffage semaine.

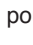



Maintenez le bouton  pressé pendant 6 secondes pour entrer dans le réglage du mode de chauffage à minuterie hebdomadaire.

Appuyez sur '' ou '' pour déplacer le curseur (un caractère de soulignement clignotant).

Appuyez sur le bouton  à la position semaine correspondante pour sélectionner (le caractère est en surbrillance) ou annuler (le caractère est affiché normalement) le réglage actuel, la même durée peut être sélectionnée.




Appuyez sur le bouton '' pour déplacer le curseur dans la même zone de réglage de durée.


Appuyez sur le bouton '' ou '' pour choisir heure ou minute.


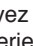
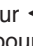
Appuyez sur '+' ou '-' pour régler le nombre.

3 périodes de chauffage minutées maximum peuvent par configurées par jour.

Les minutes augmentent / diminuent de 15 par pression.

Appuyez sur  pour définir l'heure de chauffage du jour sélectionné et retourner à la ligne semaine.

Maintenez le bouton  pressé pendant 3 secondes ou attendez 10 secondes pour enregistrer et quitter le réglage de la période de chauffage.

Appuyez sur  '' ou '' pour contrôler le réglage de la minuterie pour le mode de chauffage à minuterie hebdomadaire. Si le chauffage doit être arrêté, il faudra revenir en arrière au Mode de commande normale pour l'arrêter.

**Lorsque vous êtes en Mode minuterie hebdomadaire, l'arrêt de l'appareil avec la télécommande coupera la puissance calorifique. La puissance calorifique se poursuivra selon les réglages de la minuterie.**

## RÉGLAGE DE LA TEMPÉRATURE DÉFINIE

Appuyez sur le bouton '+' ou '-' pour augmenter ou réduire la température sur la base de la température COMF.

**COMF** signifie que la température actuelle est la même que le réglage.

**ECO** signifie que la température actuelle est 2°C inférieure à la température du réglage.

**ECO-** signifie 4°C inférieure.

**COMF+** signifie 2°C supérieure.

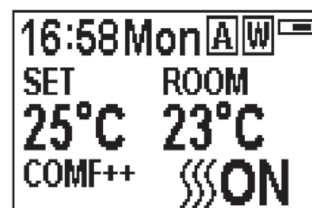
**COMF++** signifie 4°C supérieure.

## COMMANDE DE MISE EN ROUTE ADAPTIVE

Selon la température de la pièce et la température définie, l'appareil de chauffage déterminera automatiquement l'heure appropriée à laquelle chauffer pour s'assurer qu'elle atteindra la température définie dans la durée définie (jusqu'à 45 minutes avant l'heure définie).

## MODE AVANCE

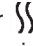
L'état de chauffage peut être avancé à la période suivante en mode chauffage à minuterie hebdomadaire et quotidienne.

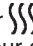


Si le chauffage est activé dans la période en cours, une pression sur le bouton désactivera le chauffage.

Si le chauffage est désactivé dans la période en cours, une pression sur le bouton activera le chauffage.

L'activation/désactivation du chauffage en cours dépendra également de la température de la pièce et du réglage.

Appuyez sur  **A** pour passer en mode Avance sous le mode de chauffage à minuterie hebdomadaire et quotidienne, **A** s'affichera en haut à droite de l'écran.

Appuyez sur  **A** à nouveau ou attendez la fin de la durée de la minuterie pour quitter le mode Avance.

## DÉTECTION DE FENÊTRE OUVERTE

Lorsque l'émetteur détecte une chute rapide de la température de la pièce, elle sera considérée comme une fenêtre ouverte : l'icône d'avertissement s'affichera et le chauffage sera automatiquement désactivé.



Une fois que la température ambiante aura remontée ou après une intervention manuelle (en utilisant la télécommande), il retournera à l'état de fonctionnement normal.

## UTILISATION DE L'APPAREIL - DÉPANNAGE

### BATTERIE

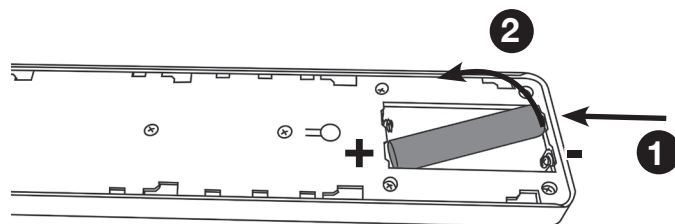
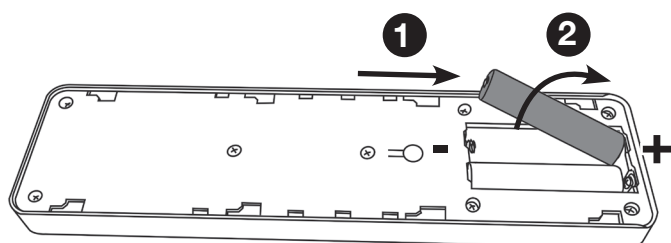
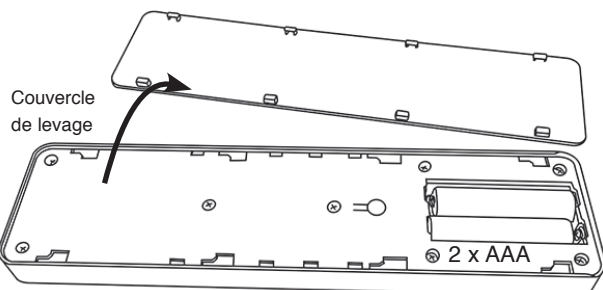
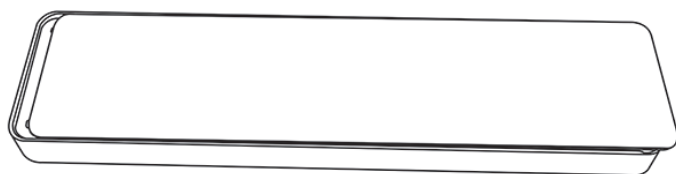
Le niveau de puissance de la batterie est indiqué en haut à droite de l'écran de la télécommande.

	Batterie chargée	Aucune action requise
	Batterie à moitié chargée	Veillez à avoir des piles neuves à disposition.
	Batterie déchargée	Changez immédiatement les piles

### REPLACEMENT DE LA BATTERIE

Les piles épuisées doivent être retirées de l'appareil et éliminées en toute sécurité.

Couvercle de la diapositive →



Veiller à ce que les piles électriques de la télécommande soient neuves et insérées correctement.

Lors du remplacement des piles, veiller à disposer des vieilles piles conformément à la bonne pratique.

Un remplacement de la batterie est recommandé au bout de 1 an. La Télécommande a besoin de deux piles alcalines AAA 1,5V.

Assurez-vous que la polarité est correcte.

Ne court-circuitez pas les bornes.

N'essayez pas de recharger des piles non rechargeables.

Retirez les piles rechargeables avant de les charger.

Ne mélangez pas des piles anciennes et neuves.

Retirez les piles si l'appareil n'est pas utilisé pendant de longues périodes.

**Le changement des piles n'affectera pas les réglages du Mode minuterie, toutefois, l'horloge devra peut-être être réglée.**



**REMARQUE :** Pour utiliser les fonctions de la télécommande et manuelles, l'interrupteur marche/arrêt manuel doit être sur la position 'ON'. Pour éviter une surchauffe du produit, il y a un délai de 10 s lors de la mise en marche de l'appareil de chauffage et un délai de 10 s lors de l'arrêt du ventilateur de l'appareil de chauffage.

Le bouton manuel commande les fonctions de base, pas toutes les commandes. Utilisez la télécommande pour exécuter toutes les commandes.

### INDICATEURS DE FONCTIONNEMENT DE L'APPAREIL DE CHAUFFAGE

Lorsque l'appareil de chauffage du ventilateur est utilisé avec les effets flamme ou lit de combustible, les indicateurs de fonctionnement de l'appareil de chauffage s'allumeront pendant 10 secondes.

Les LED s'allumeront pendant 10 secondes si l'effet flamme ou lit de combustible est Activé.

Si l'appareil de chauffage du ventilateur est utilisé indépendamment, les indicateurs de fonctionnement de l'appareil de chauffage resteront allumés.

### BOUTON RÉINITIALISATION DE LA TÉLÉCOMMANDE

Si le casque perd le signal ou doit être remplacé, veuillez consulter la Section réparation pour en savoir plus.

## CODE DE SIGNAL

La télécommande fonctionne par signal radio.  
L'émetteur portatif est configuré en usine avec un code de signal unique.

**IMPORTANT : Si le casque perd le signal ou doit être remplacé, veuillez consulter la Section réparation pour en savoir plus.**

## MAINTENANCE



**IMPORTANT : LE PANNEAU EXTERNE DU GAZCO HUNTINGDON EST FABRIQUÉ EN FONTE. PRENEZ LE PLUS GRAND SOIN LORS DE SON INSTALLATION, DE SON RETRAIT ET DE SON STOCKAGE, CAR LES COMPOSANTS SONT LOURDS ET DOIVENT ÊTRE MANIPULÉS SOIGNEUSEMENT.**

**TOUJOURS COUPER L'ALIMENTATION ÉLECTRIQUE PRINCIPALE AVANT D'ENTREPRENDRE LE NETTOYAGE OU L'EXÉCUTION DE LA MAINTENANCE.**

### GENERAL NETTOYAGE

Ne procéder au nettoyage du cadre externe que lorsqu'il est froid.  
Ne pas utiliser de nettoyeurs abrasifs.

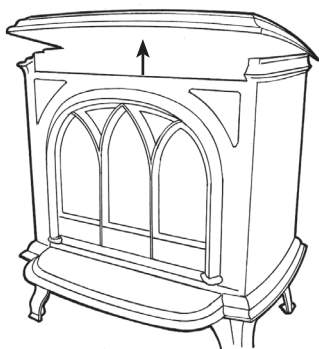
### NETTOYER LES FRONTS

Essuyer le panneau vitré d'observation avec un chiffon humide et le polir avec un chiffon non pelucheux.

**Attention : ne pas utiliser de nettoyeurs abrasifs sur le panneau en verre. Ne pas projeter de liquide directement sur les surfaces de l'appareil.**

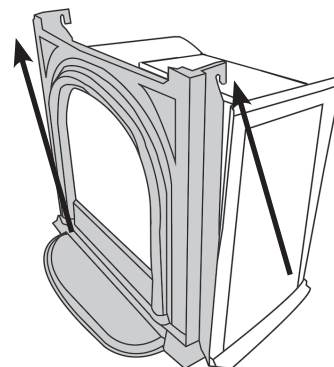
### NETTOYAGE DE L'EFFET DE CARBURANT

Pour accéder à l'effet combustible, il est nécessaire de déposer la vitre de visualisation.  
Couper l'alimentation électrique principale.



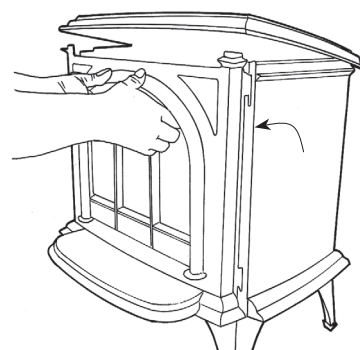
### HUNTINGDON 20 & 40

Soutenir la porte en haut et en bas et tirer vers l'avant tout en soulevant l'avant vers le haut à un angle de 45 °, jusqu'à ce qu'elle soit dégagée des rainures, puis la retirer de l'appareil, voir Schéma.

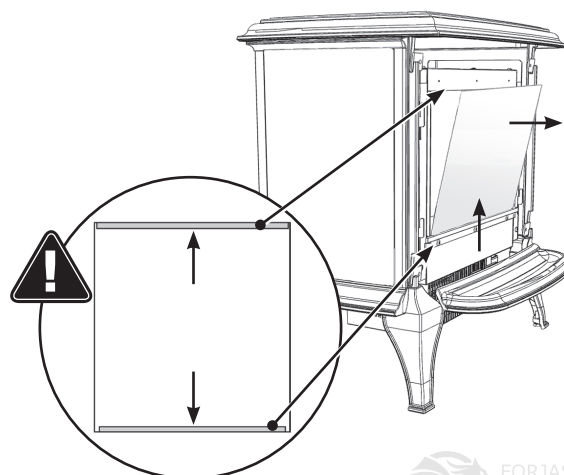
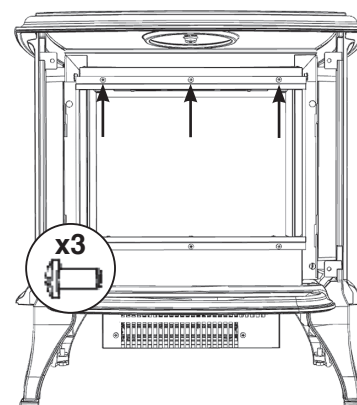


### HUNTINGDON 30

Soulever le devant jusqu'à ce qu'il se dégage des encoches et le tirer ensuite vers vous afin de le dégager du poêle, voir Schéma.



### TOUS LES MODÈLES



L'effet combustible est maintenant accessible.

Déposer et laver l'effet combustible pour éliminer toute particule de poussière. Autrement, le nettoyer avec un chiffon sans peluches. **Veiller à ce que l'effet soit sec avant de le remettre en place.**

**Lors du remplacement des effets combustibles, voir Installation, pour obtenir les instructions d'agencement.**

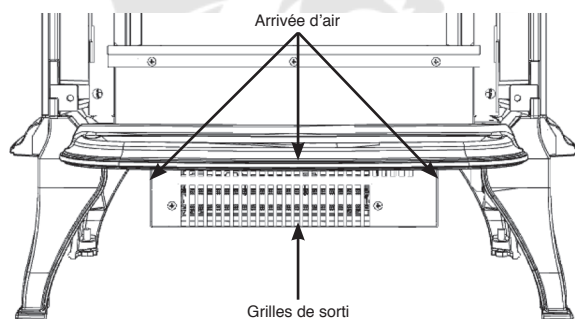
Remonter dans l'ordre inverse.

## NETTOYAGE DES ARRIVÉES D'AIR

Couper l'alimentation électrique principale.

Nettoyer l'arrivée d'air et les grilles de sortie régulièrement à l'aide d'un chiffon doux ou du bec d'un aspirateur.

Remarque : Il y a des entrées d'air entre les compartiments intérieur et extérieur, veillez à ce qu'elles soient nettoyées régulièrement.



**L'accumulation de poussière réduit l'efficacité du ventilateur et peut provoquer le déclenchement du dispositif d'arrêt d'urgence.**

Maintenir les alentours du poêle propres et libres de peluche, de poussière ou de poils d'animaux.

En particulier, l'accumulation de poussière etc. peut avoir lieu autour de la zone de chauffage sur le haut de l'appareil. Prendre particulièrement soin de maintenir cette surface libre de débris régulièrement pour éviter l'accumulation.

## INSTALLATION

### GÉNÉRALITÉS

#### OUTILS NÉCESSAIRES

1 X Tournevis

#### DÉBALLAGE DE L'APPAREIL

**ATTENTION ! NE PAS utiliser cet appareil si l'un de ses composants a été exposé à l'eau.**

Faire appel immédiatement à un technicien de service qualifié pour inspecter et remplacer tout composant du système électrique, le cas échéant.

Ouvrir l'emballage avec précaution et enlever le polystyrène. Enlever et disposer du sac en plastique. Conserver les emballages en plastique hors de la portée des enfants. Soyez responsable lors de la manutention des matériaux d'emballage.

Avant de disposer de l'emballage, vérifier qu'il ne contient aucun composant ou accessoire. Au besoin, conserver l'emballage d'origine pour un transport et/ou entreposage futur.



**Cet appareil est lourd et n'a pas besoin d'ancrage sur le foyer ou au sol. Cependant, dans certains cas, l'appareil peut devenir instable, par exemple lorsque l'on s'y adosse. Si ce cas de figure est susceptible de se produire, ancrez l'appareil sur le foyer ou au sol à l'aide de fixations solides adaptées.**

### POSITIONNER L'APPAREIL

Votre nouveau Huntingdon Électrique peut être installé pratiquement n'importe où chez vous. Toutefois lors du choix de l'emplacement respecter les instructions générales suivantes.

Pour les meilleurs résultats possibles, éviter de l'installer directement en plein soleil.

Si le câble d'alimentation électrique est endommagé, ne pas utiliser l'appareil jusqu'à ce qu'il ait été remplacé. Pour des questions de sécurité, le remplacement doit être effectué bien par un électricien compétent.

L'appareil doit être installé à proximité d'une prise de courant appropriée pour en permettre le branchement. La prise électrique doit être facile d'accès pour permettre le débranchement une fois l'appareil installé.

Cet appareil doit reposer sur une surface plate et ferme, et non pas sur une moquette ou un tapis. Veiller à ce que l'ameublement, les rideaux, etc. ne soient pas à moins d'un mètre de l'appareil et l'appareil doit reposer sur une surface pouvant supporter des températures de 90° C pendant des périodes prolongées. Ne jamais poser un tapis à moins de 500 mm de la face du poêle.

Veiller à ce que les rideaux et les meubles ne sont pas positionnés à proximité de la position choisie, car cela créerait un risque d'incendie ou de bloquer les conduits de sortie de chauffage.

**AVERTISSEMENT ! CONSERVER LES MATÉRIAUX COMBUSTIBLES À AU MOINS 1 M DE DISTANCE DU DEVANT ET DES CÔTÉS DE L'APPAREIL ÉLECTRIQUE.**

#### OUVERTURES POUR TOUS LES APPAREILS INGLENOOK:

Pour tous les modèles, les dimensions requises pour l'installation d'un appareil Inglenook peuvent être calculées en ajoutant 225 mm à la hauteur de l'appareil et 150 mm à chaque côté. 50 mm supplémentaires doivent être ajoutés à la profondeur de manière à fournir un espace adéquat derrière l'appareil.

### INSTRUCTIONS D'ENTRETIEN



**PENDANT ENTRETIEN DE L'APPAREIL, IL PEUT ÊTRE NECESSAIRE DE COUPER LES LIENS DE CÂBLE POUR ACCÈS ET À LEVER CERTAINES DES PARTIES. IL FAUT LES REMPLACER LORS DU REMONTAGE L'APPAREIL.**

**LA MAINTENANCE DE CET APPAREIL NE DOIT ÊTRE EFFECTUÉE QUE PAR UNE PERSONNE QUALIFIÉE. AVANT D'EFFECTUER DES TRAVAUX SUR L'APPAREIL: ARRÊTER L'APPAREIL ET ISOLER L'ALIMENTATION ÉLECTRIQUE EN VÉRIFIANT QUE L'APPAREIL N'EST PLUS ALIMENTÉ.**

Attendre au moins 10 minutes jusqu'à ce que l'appareil soit froid.

#### Remplacement de la pile électrique de la télécommande

La remplacer avec 2 x pile électrique de type AAA. Vérifier que la pile est installée correctement dans la télécommande.



**REMARQUE : la télécommande comporte un témoin de piles (coin supérieur droit) ; après un affichage prolongé de l'état vide, l'écran LED cessera de fonctionner même si la télécommande peut encore envoyer des commandes. Remplacer les piles pour rétablir l'affichage.**

#### Maintenance des moteurs

Les moteurs du ventilateur et de l'effet flamme sont prégraissés pour prolonger la durée de vie des roulements et ne nécessitent aucun graissage supplémentaire. Toutefois, il est recommandé de nettoyer à l'aide d'un aspirateur périodiquement l'unité ventilateur/ chauffage.

#### Réenclenchement du disjoncteur thermique

L'appareil est équipé d'un dispositif de sécurité électronique. C'est un dispositif de sécurité qui éteint l'appareil en cas de surchauffe de celui-ci, par ex. lorsqu'il est recouvert.

Si le chauffage s'arrête alors que l'effet flamme continu normalement, cela indique que le dispositif de sécurité est en cours de fonctionnement.

Le dispositif de sécurité ne peut être réenclenché que lorsque l'appareil est froid.

#### Réenclenchement du dispositif de sécurité :

Éteindre l'appareil (interrupteur manuel On/Off) et le laisser refroidir pendant 120 minutes.

Dégager toute obstruction de la sortie du ventilateur de chauffage ou de toutes autres parties internes.

Allumer l'appareil et le dispositif de sécurité se réenclenchera. Vérifier que l'appareil fonctionne correctement. Si le dispositif de contrôle se déclenche de nouveau, l'appareil doit être vérifié par un électricien compétent.

**WICHTIG**

**TEILE DES AUSSENGEHÄUSES DIESES GERÄTS WERDEN VOM HERSTELLER ALS WIRKFLÄCHE BETRACHTET, DIE HEISS WIRD, WENN DAS HEIZGERÄT EINGESCHALTET WIRD. ES WIRD DAHER EMPFOHLEN, IN DER ANWESENHEIT VON KLEINEN KINDERN, ÄLTEREN ODER GEBRECHLICHEN MENSCHEN EIN KAMINGITTER ZU VERWENDEN, DAS BS 8423 (AKTUELLE VERSION) ENTSPRICHT.**

**DAS AUSLASSGITTER DES HEIZGERÄTS WIRD IM BETRIEB SEHR HEISS. DECKEN SIE DAS AUSLASSGITTER ODER ANDERE TEILE DES GERÄTS NICHT AB.**

Nur für die Verwendung mit 230 V 50 Hz Stromanschluss.

Bitte lesen Sie diese Anleitung vor der Installation sorgfältig durch und bewahren Sie sie an einem sicheren Ort auf.

Die enthaltenen Anweisungen werden benötigt, wenn eine Wartung oder Instandhaltung erforderlich ist.

DIESES GERÄT MUSS GEERDET WERDEN

DIESES PRODUKT IST NUR FÜR GUT ISOLIERTE RÄUME UND GELEGENTLICHEN GEBRAUCH GEEIGNET.

**WICHTIGE INFORMATIONEN ZU GESUNDHEIT UND SICHERHEIT**

**Lesen Sie alle Anweisungen sorgfältig durch, bevor Sie das Gerät verwenden.**

**Entfernen Sie alle Verpackungen und entsorgen Sie diese in einer geeigneten Recyclinganlage.**

Stellen Sie dieses Gerät nicht unmittelbar unter einer festen Steckdose auf.

Teile des Außengehäuses dieses Geräts werden vom Hersteller als Wirkfläche betrachtet, die heiß wird, wenn das Heizgerät eingeschaltet wird. Zum Schutz von Kindern, älteren und gebrechlichen Personen müssen Sie ein geeignetes Kamingitter verwenden.

Verwenden Sie dieses Gerät nicht in der unmittelbaren Umgebung einer Badewanne, einer Dusche, eines Schwimmbeckens oder in einem anderen Bereich, in dem das Gerät mit Wasser oder Feuchtigkeit in Berührung kommen könnte, z. B. in einem Badezimmer.

**ACHTUNG! NICHT ABDECKEN**

Achten Sie darauf, dass das Gerät nicht abgedeckt und der Lufteinlass/-auslass nicht blockiert wird, da das Gerät sonst überhitzen kann. Beachten Sie das Warnsymbol auf dem Gerät (siehe oben).

**Nur zur Verwendung in geschlossenen Räumen.** Dieses Gerät ist nicht für den Gebrauch im Freien geeignet.

Dieses Gerät muss auf einer sauberen, ebenen und festen Oberfläche stehen. Stellen Sie den Kamin nicht auf einen Teppich. Stellen Sie sicher, dass Möbel, Vorhänge usw. nicht näher als 1 m positioniert sind und der Kamin auf einer Oberfläche steht, die Temperaturen von 90 °C über längere Zeit standhält. Achten Sie darauf, dass sich keine Teppiche in einem Abstand von weniger als 500 mm zur Vorderseite des Geräts befinden.

Falls das Netzkabel durch Mauerwerk, eine Steinumrandung o. Ä. geführt werden muss, stellen Sie sicher, dass geeignete Gummibuchsen an den möglichen Scheuerstellen angebracht werden.

Bei der Installation in einem offenen Kamin muss der Schornstein abgedeckt werden, um das Risiko eines Windzugs zu verringern, der zum Auslösen der Sicherheitsabschaltung führen kann.

Halten Sie das Stromkabel fern von heißen Flächen und hohen Temperaturen. Führen Sie das Stromkabel nicht vor dem Gerät entlang.

Der Stecker muss nach der Montage des Gerätes noch zugänglich sein.

Verwenden Sie das Gerät bei Beschädigung des Netzkabels nicht, bis das Kabel ersetzt worden ist.

Aus Sicherheitsgründen muss der Austausch von einem Gazco- Servicemitarbeiter oder einer Elektrofachkraft durchgeführt werden.

**VORSICHT:** Um eine Gefährdung durch versehentliches Rücksetzen des Thermoschutzes zu vermeiden, darf dieses Gerät nicht über ein externes Schaltgerät, wie z. B. eine Zeitschaltuhr oder über einen anderen automatischen Ein- und Ausschalter betrieben werden.

Nehmen Sie das Gerät nicht in Betrieb, wenn es beschädigt ist. Reparaturen an elektrischen Geräten dürfen nur von einer Elektrofachkraft durchgeführt werden. Sollte das Gerät nicht funktionieren oder beschädigt sein, wenden Sie sich bitte an den Händler, bei dem Sie das Gerät erworben haben.

Dieses Gerät darf von Kindern über 8 Jahren sowie von Personen mit verringerten physischen, sensorischen oder mentalen Fähigkeiten oder Mangel an Erfahrung und Wissen benutzt werden, wenn sie beaufsichtigt oder bezüglich des sicheren Gebrauchs des Geräts unterwiesen wurden und ein Verständnis der möglichen Gefahren besitzen. Kinder dürfen nicht mit dem Gerät spielen. Die Reinigung und Benutzerwartung darf nicht von Kindern ohne Aufsicht durchgeführt werden.

Kinder unter 3 Jahren sollten ferngehalten werden, sofern sie nicht ständig beaufsichtigt werden.

Kinder im Alter von 3 bis unter 8 Jahren dürfen das Gerät nur dann ein- und ausschalten, wenn es in der vorgesehenen normalen Betriebsposition aufgestellt oder installiert ist und sie beaufsichtigt oder bezüglich des sicheren Gebrauchs des Geräts unterwiesen wurden und ein Verständnis der möglichen Gefahren besitzen. Kinder zwischen 3 und 8 Jahren dürfen das Gerät nicht einstecken, regulieren und reinigen oder Wartungsarbeiten durchführen.

**Vorsicht: Teile dieses Produkts können sehr heiß werden und Verbrennungen verursachen. Besondere Vorsicht ist geboten, wenn Kinder und gefährdete Personen anwesend sind. Gazco empfiehlt jedoch Folgendes:**

**Dieses Gerät ist nicht geeignet zur Verwendung durch Personen unter 12 Jahren, Personen mit eingeschränkten physischen, sensorischen bzw. geistigen Fähigkeiten oder Personen, die nicht über die erforderliche Erfahrung und Kenntnis zum sicheren Betrieb des Gerätes verfügen.**

Das Gerät darf durch Personen über 12 Jahren betrieben werden, sofern sie zum sicheren Gebrauch des Gerätes angeleitet wurden und ein Verständnis der möglichen Gefahren besitzen. Ebenso dürfen Personen über 12 Jahren das Gerät unter der Aufsicht einer erwachsenen Person betreiben.

Da Teile dieses Gerätes im Betrieb heiß werden, sollten Personen unter 12 Jahren unter keinen Umständen während des Betriebs mit dem Gerät alleine gelassen werden, sofern kein geeignetes Schutzgitter zur Vermeidung eines direkten Berührens des Gerätes verwendet wird.

Kinder dürfen nicht mit dem Gerät spielen.

Die Reinigung und Benutzerwartung darf nicht von Kindern ohne Aufsicht durchgeführt werden.

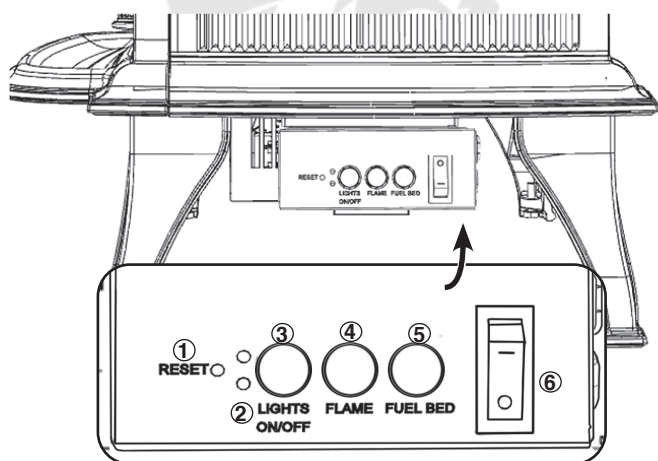
## BEDIENUNGSANLEITUNG



**ACHTUNG!** Nehmen Sie das Gerät nicht in Betrieb, wenn es beschädigt ist oder eine Funktionsstörung aufweist. Wenn Sie vermuten, dass das Gerät beschädigt ist oder eine Fehlfunktion aufweist, wenden Sie sich an einen qualifizierten Servicetechniker, der das Gerät überprüft und gegebenenfalls Teile der elektrischen Anlage austauscht, bevor Sie es wieder verwenden.

Trennen Sie das Gerät nicht vom Netz, während es in Betrieb ist. Verwenden Sie die Funktionen auf der Fernbedienung, um den Kamin auszuschalten, und vergewissern Sie sich, dass der Netzschalter in die Aus-Stellung gebracht wurde, bevor Sie die Netzverbindung trennen.

### MANUELLES BEDIENFELD



1. Fernbedienung Reset-Taste
2. Heizungsbetriebsanzeigen
3. Gesamte Beleuchtung ein/aus
4. Taste für Flammeneinstellung
5. Brennstoffbett-Einstelltaste
6. Netzschalter Ein/Aus

### BEDIENUNG DES GERÄTS

Drücken Sie 6, um das Gerät ein-/auszuschalten.



**HINWEIS:** Um sowohl die Fernbedienung als auch die manuellen Funktionen nutzen zu können, muss der manuelle Ein/Aus-Schalter in der Position „EIN“ stehen.

Um eine Überhitzung des Produkts zu vermeiden, tritt beim Ein- und Ausschalten des Heizungslüfters eine Verzögerung von 10 Sekunden auf.

Über das manuelle Bedienfeld werden grundlegende Funktionen gesteuert.

Verwenden Sie die Fernbedienung, um sämtliche Funktionen ausführen zu können.

Drücken Sie 3, um **Flammen und Brennstoffbett gleichzeitig ein- und auszuschalten**.

Drücken Sie 4, um die Flammenfarbe zu wählen oder zur Position AUS zurückzukehren.

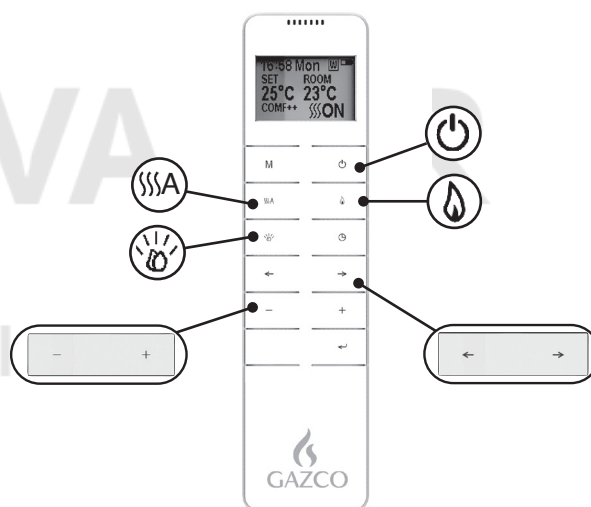
Es stehen 3 Flammenfarben zur Verfügung.

Drücken Sie 5, um die Farbe des Brennstoffbetts auszuwählen oder zur Position AUS zurückzukehren.  
Es gibt 10 Farboptionen für das Brennstoffbett.

**Hinweis:** Das Gerät verliert die gespeicherten Einstellungen für die Lichtfunktionen, wenn der Schalter auf die Aus-Position gestellt wird oder die Batterien der Fernbedienung leer sind.

### FERNBEDIENUNG

Die Fernbedienung sollte auf einer ebenen Fläche im gleichen Raum liegen, in dem das Gerät installiert ist, und außerhalb eines direkten Warmluftstroms.



- Ein/Aus

- Heizung

- Flammen

- Brennstoffbett

- Farboption

- Stufen

### BEDIENUNG DES GERÄTS - SCHNELLANLEITUNG

**Gerät ein-/ausschalten**  
Das Gerät startet mit der zuletzt gespeicherten Einstellung.

**Heizung ein-/ausschalten.**

- Heizleistung erhöhen oder verringern.

**Flammeneffekt ein-/ausschalten.**

- Farboption ändern.  
Es stehen 3 Flammenfarben zur Verfügung:

- Helligkeitsstufe erhöhen oder verringern.

**Brennstoffbetteffekt ein-/ausschalten.**

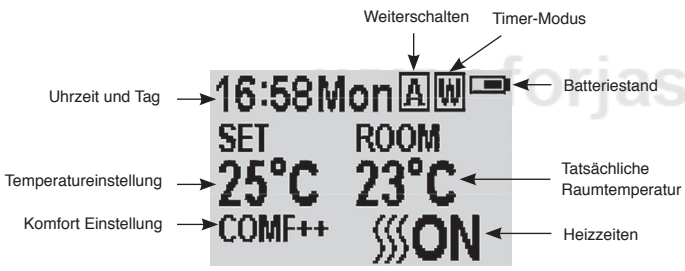
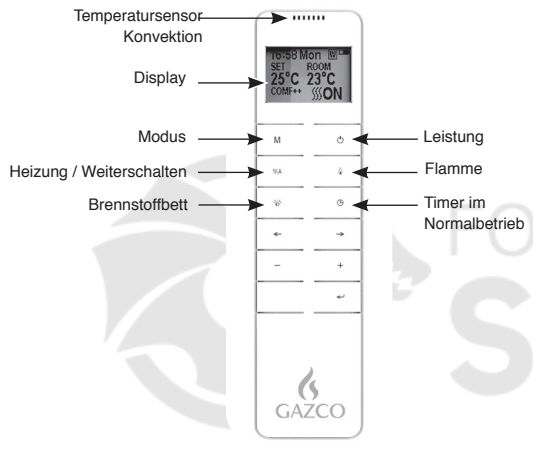


- Farboption ändern.  
Es gibt 14 Farboptionen für das Brennstoffbett:



- Helligkeitsstufe erhöhen oder verringern.

**BEDIENUNG DES GERÄTS  
- ERWEITERTE BEDIENUNG**



**EIN-/AUSSCHALTEN**

Drücken Sie die Taste, um den Flammeneffekt einzuschalten.

Drücken Sie die Taste, um alle Funktionen im normalen Heizungsregelungsmodus auszuschalten.

Drücken Sie die Taste, um den Flammeneffekt in der Tages- und Wochenzeitschaltuhr auszuschalten.

**WOCHENTAGE/UHRZEIT/KOMFORTTEMPERATUR UND GERÄTEEINSTELLUNG**

**Stellen Sie sicher, dass die Uhr auf die richtige Zeit eingestellt ist.**

Drücken Sie **M** 3 Sekunden lang.

Drücken Sie auf '←' oder '→' um die Einstellung zu wählen.

Das ausgewählte Zeichen wird hervorgehoben.



Drücken Sie die '+-' oder '-+'-Taste, um den Wert anzupassen.

Zeit: 24-Stunden-System.  
Wählen Sie eine Komforttemperatur von 15-25 °C.  
Temperatureinheit: °C/°F.

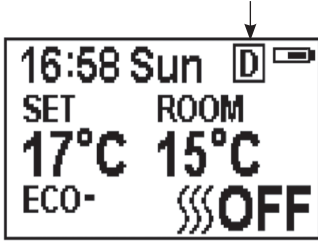
Drücken Sie die Taste für 3 Sekunden oder warten Sie 10 Sekunden, um die Einstellung von Woche, Uhrzeit und Heiztemperatur zu speichern und diese Funktion zu verlassen.

**TIMER FÜR TÄGLICHES HEIZEN**

Die folgenden Heizzeiten sind voreingestellt, können jedoch bei Bedarf geändert werden:

- 06:00 bis 08:00
- 17:00 bis 22:00

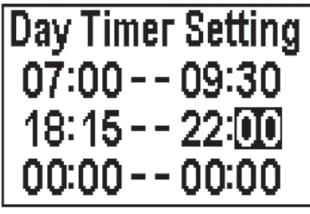
Drücken Sie **M** bis **D** in der oberen rechten Ecke des Displays angezeigt wird.



Halten Sie die Taste 6 Sekunden lang gedrückt. Pro Tag können 3 zeitgesteuerte Heizzeiten eingestellt werden.

Drücken Sie '←' oder '→' um Stunde oder Minute zu wählen.

Drücken Sie '+' oder '-', um den Wert einzustellen. Die Minutenanzeige wird pro Tastendruck um jeweils 15 Min. erhöht/verringert.



Halten Sie die Taste 3 Sekunden lang gedrückt oder warten Sie 10 Sekunden, um die Einstellung der Heizzeit zu speichern und diese Funktion zu verlassen

Drücken Sie , um die täglichen Timer-Einstellungen zu überprüfen.

Um die Heizung auszuschalten, kehren Sie in den Normalmodus zurück.

**Wenn Sie das Gerät im Tagestimer-Modus mit der Fernbedienung ausschalten, wird die Beleuchtung deaktiviert. Die Heizleistung wird entsprechend der Timer-Einstellungen fortgesetzt.**

**EINSTELLEN DER SOLLTEMPERATUR**

Drücken Sie die Taste '+' oder '-', um die Temperatur auf Basis der COMF-Temperatur zu erhöhen oder zu verringern.

**COMF** bedeutet, dass die Ist-Temperatur mit der Solltemperatur übereinstimmt.

**ECO** bedeutet, dass die tatsächliche Temperatur 2 °C niedriger ist als die eingestellte Temperatur.

**ECO-** bedeutet 4 °C niedriger.

**COMF+** bedeutet 2 °C höher.

**COMF++** bedeutet 4 °C höher.

### ADAPTIVE REGELUNG DES HEIZBEGINNS

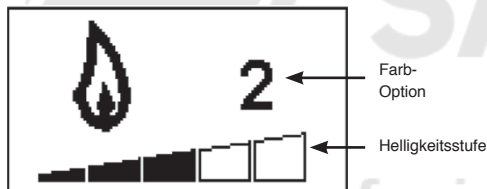
Das Heizgerät ermittelt automatisch die geeignete Zeit zum Aufheizen, um sicherzustellen, dass die Solltemperatur zur eingestellten Zeit erreicht wird (bis zu 45 Minuten vor der eingestellten Zeit).

### EINSTELLEN DER FLAMMENFARBE

Drücken Sie die Taste.

Es stehen 3 Flammenfarben zur Verfügung.

Es gibt 6 Helligkeitsstufen, einschließlich Aus.



Drücken Sie die '←' oder '→' Taste, um durch die Optionen für die Flammenfarbe zu navigieren.

Drücken Sie die '+' Taste, um die Flammenhelligkeit zu erhöhen.

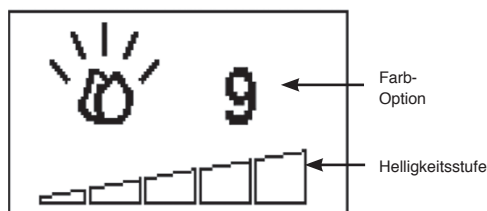
Drücken Sie die '-' Taste, um die Flammenhelligkeit bis zum Ausschalten zu verringern.

### FARBEINSTELLUNG DES BRENNSTOFFBETTS

Drücken Sie um den Bildschirm zur Einstellung der Brennstoffbettbeleuchtung aufzurufen.

Es gibt 14 Farboptionen für das Brennstoffbett.

Es gibt 6 Helligkeitsstufen, einschließlich Aus.



Drücken Sie die '←' oder '→' Taste, um durch die Farboptionen des Brennstoffbetts zu navigieren.

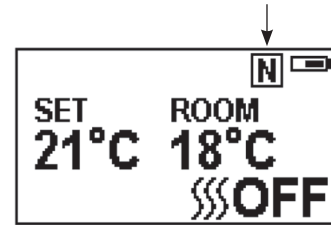
Drücken Sie die '+' Taste, um die Helligkeit des Brennstoffbetts zu erhöhen.

Drücken Sie die '-' Taste, um die Helligkeit des Brennstoffbetts bis zum Ausschalten zu verringern.

### NORMALMODUS

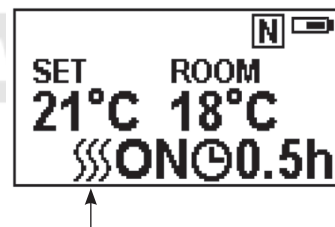
Der Normalmodus ist die Standardeinstellung.

Drücken Sie die **M** Taste, bis das **N** Logo angezeigt wird



Drücken Sie die Taste '+' oder '-', um die Solltemperatur von 17 °C bis 25 °C einzustellen.

Drücken Sie die **[[[A** Taste, um die Heizung ein-/auszuschalten.



Hinweis: Es ist normal, dass der Heizlüfter eine Zeit lang nicht läuft. Dies geschieht, weil die Raumtemperatur über der auf der Fernbedienung eingestellten Temperatur liegt.

Die Heizungsanzeige wird nach 10 Sek. ausgeblendet, wenn die Flamme eingeschaltet wird. Die Heizungsanzeige bleibt aktiviert, wenn nur die Heizfunktion verwendet wird.

**Wenn Sie das Gerät im Normalmodus mit der Fernbedienung ausschalten, werden sowohl die Leucht- als auch die Heizfunktion gestoppt.**

### COUNTDOWN-TIMER

Diese Einstellung ist nur im Normalmodus möglich. Damit kann das Gerät nach einer festgelegten Zeit wieder in den Standby-Modus zurückversetzt werden. Um diese Funktion zu nutzen, muss die Heizung eingeschaltet sein.

Drücken Sie um zwischen den Einstellungen AUS, sowie 0,5 Stunden bis 9 Stunden zu wechseln. Das Timer-Logo und die verbleibende Zeit werden auf dem Bildschirm angezeigt.

Die Heizung kann automatisch mit dem täglichen Timer und dem wöchentlichen Timer auf der Fernbedienung betrieben werden.

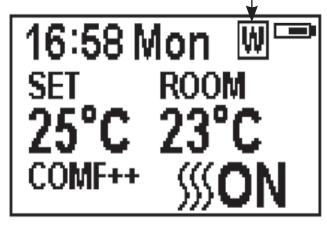
### WOCHENZEITSCHALTUHR HEIZUNG

Die folgenden Heizzeiten wurden voreingestellt, können jedoch bei Bedarf geändert werden:

Von Montag bis Freitag  
06:00 bis 08:30  
17:00 bis 22:00

Von Samstag bis Sonntag  
06:30 bis 09:30  
11:00 bis 13:00  
17:00 bis 22:00

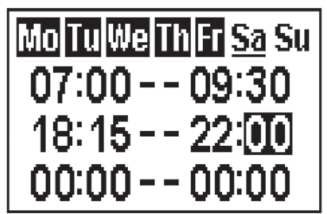
Drücken Sie auf **M** bis **W** angezeigt wird.



Halten Sie die **←** Taste 6 Sekunden lang gedrückt.

Drücken Sie **←** oder **→** um den Cursor (blinkender Unterstrich) zu bewegen.

Drücken Sie die **←** Taste in der entsprechenden Wochenposition, um die aktuelle Einstellung auszuwählen (das Zeichen wird hervorgehoben) oder abzubrechen (das Zeichen wird normal angezeigt), der gleiche Zeitraum kann gemeinsam ausgewählt werden.



Drücken Sie die **→** Taste, um den Cursor zum Einstellbereich für den Zeitraum zu bewegen.

Drücken Sie die **←** oder **→** Taste, um Stunde oder Minute zu wählen.

Drücken Sie **+** oder **-**, um den Wert einzustellen. Es können maximal 3 zeitgesteuerte Heizzeiten pro Tag eingestellt werden.

Die Minutenanzeige wird pro Tastendruck um jeweils 15 Min. erhöht/verringert.

Drücken Sie **←** um die Heizzeit für den gewählten Tag einzustellen und zur Wochenzeile zurückzukehren.

Halten Sie die **←** Taste 3 Sekunden lang gedrückt oder warten Sie 10 Sekunden, um die Einstellung der Heizzeit zu speichern und diese Funktion zu verlassen.

Drücken Sie **←** **←** oder **→** um die Einstellung der Wochenzeitschaltuhr zu überprüfen

Um die Heizung auszuschalten, kehren Sie in den Normalmodus zurück.

**Wenn Sie das Gerät im Wochentimer-Modus mit der Fernbedienung ausschalten, wird die Beleuchtung deaktiviert. Die Heizleistung wird entsprechend der Timer-Einstellungen fortgesetzt.**

**EINSTELLEN DER SOLLTEMPERATUR**

Drücken Sie die Taste **+** oder **-**, um die Temperatur auf Basis der COMF-Temperatur zu erhöhen oder zu verringern.

**COMF** bedeutet, dass die Ist-Temperatur mit der Solltemperatur übereinstimmt.

**ECO** bedeutet, dass die tatsächliche Temperatur 2 °C niedriger ist als die eingestellte Temperatur.

**ECO-** bedeutet 4 °C niedriger.

**COMF+** bedeutet 2 °C höher.

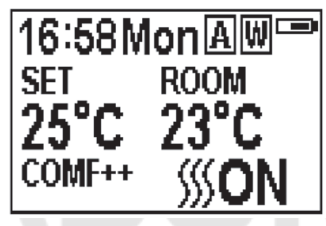
**COMF++** bedeutet 4 °C höher.

**ADAPTIVE REGELUNG DES HEIZBEGINNS**

Das Heizgerät ermittelt automatisch die geeignete Zeit zum Aufheizen, um sicherzustellen, dass die Solltemperatur zur eingestellten Zeit erreicht wird (bis zu 45 Minuten vor der eingestellten Zeit).

**WEITERSCHALTMODUS**

Sowohl im Tages- als auch im Wochenmodus kann der Heizzustand auf das nächste Zeitfenster weiterschaltet werden.

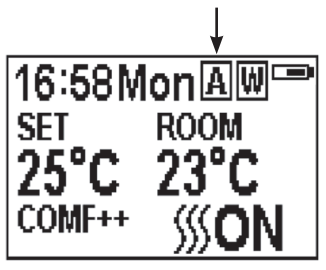


Wenn die Heizung im aktuellen Zeitraum eingeschaltet ist, wird die Heizung durch Drücken der Taste ausgeschaltet.

Wenn die Heizung im aktuellen Zeitraum ausgeschaltet ist, wird die Heizung durch Drücken der Taste eingeschaltet.

Die Heizleistung ist abhängig von der Raumtemperatur und der Solltemperatur.

Drücken Sie **W A** um in den Weiterschaltmodus der Tages- oder Wochenzeitschaltuhr zu gelangen.



Durch erneutes Drücken auf **W A** oder nach Ablauf der Timerzeit wird der Weiterschaltmodus beendet.

**FENSTER-AUF-FUNKTION**

Wenn der Temperaturfühler ein schnelles Absinken der Raumtemperatur feststellt, wird dies als offenes Fenster gewertet: Das Warnsymbol erscheint und die Heizung wird automatisch ausgeschaltet.



Nachdem die Innentemperatur angestiegen ist oder die Warnung manuell übergangen wurde (durch Bestätigen der Fernbedienung), kehrt das Gerät in den normalen Betriebszustand zurück.

## BEDIENUNG DES GERÄTS - FEHLERBEHEBUNG

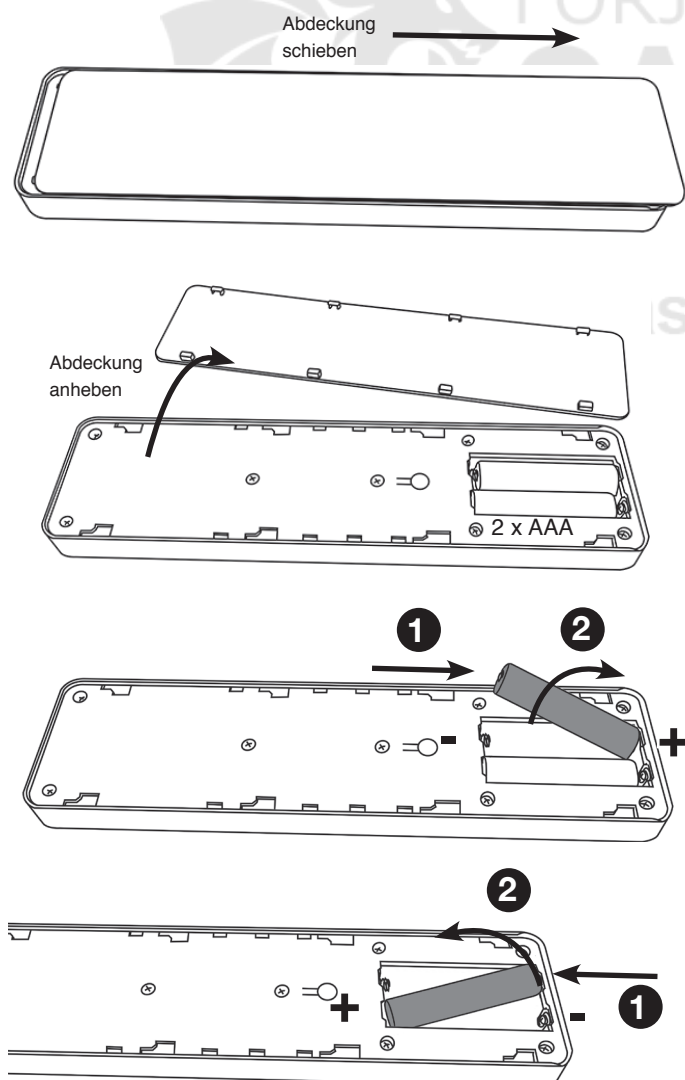
### BATTERIE

Der Batteriestand wird oben rechts auf der Fernbedienung angezeigt.

	Batterie voll	Keine Maßnahme erforderlich
	Batterie halb aufgebraucht	Stellen Sie sicher, dass Sie neue Batterien auf Vorrat haben.
	Batterie leer	Batterien sofort austauschen

### AUSTAUSCH DER BATTERIE

Leere Batterien sind aus dem Gerät zu entfernen und sicher zu entsorgen.



Vergewissern Sie sich, dass die Batterien neu sind und richtig eingelegt wurden.

Entsorgen Sie alte Batterien bei einer geeigneten Recyclingstelle. Es wird ein Batteriewechsel nach 1 Jahr empfohlen. Die Fernbedienung benötigt zwei 1,5-V-Alkalibatterien vom Typ AAA.

Achten Sie auf die richtige Polarität. Klemmen nicht kurzschließen. Versuchen Sie nicht, nicht wiederaufladbare Batterien aufzuladen.

Entfernen Sie wiederaufladbare Batterien vor dem Laden.

Mischen Sie keine alten und neuen Batterien.

Entnehmen Sie die Batterien, wenn das Gerät längere Zeit nicht benutzt wird.

**Das Wechseln der Batterien wirkt sich nicht auf die Einstellungen des Timer-Modus aus. Stellen Sie sicher, dass die Uhr auf die richtige Zeit eingestellt ist.**



**HINWEIS:** Um sowohl die Fernbedienung als auch die manuellen Funktionen nutzen zu können, muss der manuelle Ein/Aus-Schalter in der Position „EIN“ stehen. Um zu verhindern, dass das Gerät zu heiß wird, gibt es eine Verzögerung von 10 Sek. beim Einschalten des Heizelements und eine Verzögerung von 10 Sek. beim Ausschalten des Heizungsgebläses.

Die manuellen Tasten steuern grundlegende Funktionen, jedoch nicht den vollen Umfang der Steuerung. Verwenden Sie die Fernbedienung, um sämtliche Funktionen ausführen zu können.

### HEIZUNGSBETRIEBSANZEIGEN

Wenn der Heizlüfter in Verbindung mit den Flammen- oder Brennstoffbetteffekten verwendet wird, leuchten die Heizungsbetriebsanzeigen für 10 Sekunden auf.

Die LEDs leuchten 10 Sekunden lang auf, wenn der Flammen- oder Brennstoffbetteffekt eingeschaltet ist.

Wird der Heizlüfter selbstständig betrieben, bleiben die Betriebsanzeigen an.

### RESET-TASTE FÜR FERNBEDIENUNG

Wenn die Fernbedienung das Signal verliert oder ausgetauscht werden muss, finden Sie weitere Informationen im Abschnitt "Wartung".

### SIGNALCODE

Die Fernbedienung ist werksseitig mit einem individuellen Signalcode konfiguriert.

**WICHTIG!** Wenn die Fernbedienung das Signal verliert oder ausgetauscht werden muss, finden Sie weitere Informationen im Abschnitt „Wartung“.

# WARTUNG

**! WICHTIG: DIE AUSSENVERKLEIDUNG DES HUNTINGDON BESTEHT AUS GUSSEISEN. VORSICHT BEIM EIN- UND AUSBAU SOWIE BEI DER LAGERUNG, DA DIE KOMPONENTEN SCHWER SIND UND VORSICHTIG GEHANDHABT WERDEN SOLLTEN.**

**ZIEHEN SIE IMMER DEN NETZSTECKER, BEVOR SIE DAS GERÄT REINIGEN ODER EINE WARTUNG DURCHFÜHREN.**

## ALLGEMEINE REINIGUNG

Reinigen Sie das Außengehäuse nur, wenn es kalt ist. Verwenden Sie keine Scheuermittel.

## REINIGUNG DER FRONTSCHIEBE

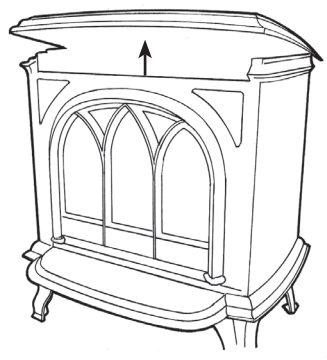
Wischen Sie die Glassichtscheibe mit einem feuchten Tuch ab und polieren Sie sie mit einem fusselfreien Staubtuch.

**Vorsicht: Verwenden Sie keine Scheuermittel für die Glasscheibe. Sprühen Sie keine Flüssigkeiten direkt auf eine Oberfläche des Geräts.**

## REINIGUNG DES BRENNSTOFFEFFEKTS

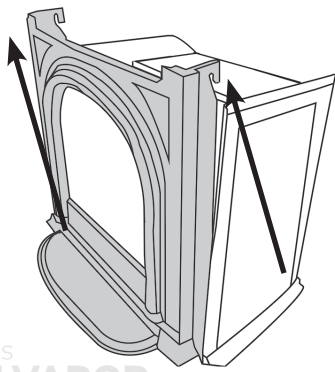
Um an den Brennstoffeffekt heranzukommen, muss die Glasscheibe entfernt werden.

Stellen Sie sicher, dass das Gerät vom Stromnetz getrennt ist.



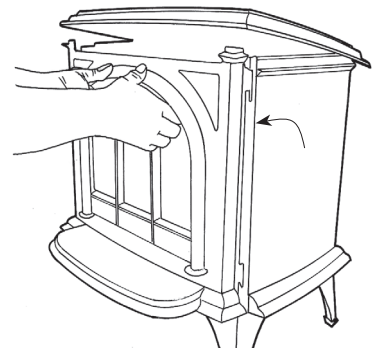
## HUNTINGDON 20 & 40

Stützen Sie die Tür oben und unten ab, ziehen Sie sie nach vorne und heben Sie die Vorderseite im 45°-Winkel nach oben, bis sie aus den Schlitzen herauskommt, und ziehen Sie sie vom Gerät weg (siehe Abbildung).

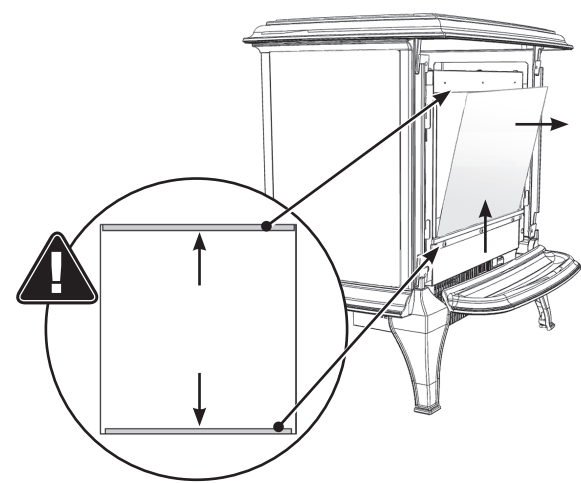
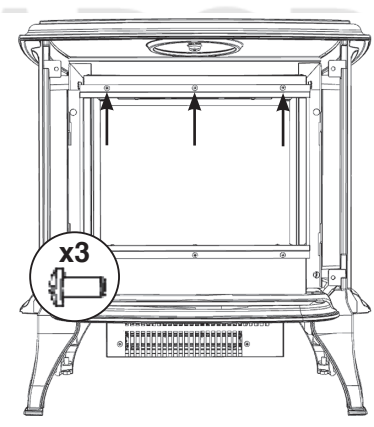


## HUNTINGDON 30

Heben Sie die Vorderseite nach oben, bis sie aus den Schlitzen herauskommt, und ziehen Sie sie vom Gerät weg (siehe Abbildung).



## ALLE MODELLE



Der Brennstoffeffekt ist nun zugänglich.

Entfernen und waschen Sie den Brennstoffeffekt, um Staubpartikel zu beseitigen. Alternativ mit einem fusselfreien Staubtuch reinigen. **Stellen Sie sicher, dass der Effekt trocken ist, bevor Sie ihn wieder einsetzen.**

**Setzen Sie den Brennstoffeffekt wieder ein, siehe Installationsanleitung Abschnitt 5 für die Auslegung.**

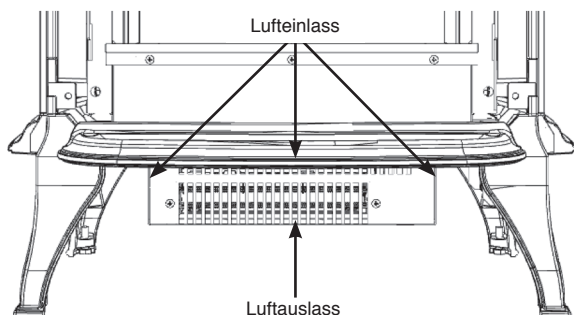
In umgekehrter Reihenfolge wieder einsetzen.

## REINIGUNG DER LUFTEINLÄSSE

Stellen Sie sicher, dass das Gerät vom Stromnetz getrennt ist.

Reinigen Sie die Luftein- und -austrittsgitter regelmäßig mit einem weichen Tuch oder der Düse eines Staubsaugers.

Hinweis: Zwischen der Innen- und Außenkammer befinden sich Lufteinlässe. Stellen Sie sicher, dass diese regelmäßig gereinigt werden.



**Staubansammlungen können die effiziente Leistung des Lüfters beeinträchtigen und zum Ansprechen der Sicherheitsabschaltung führen.**

Halten Sie den Bereich um das Gerät sauber und frei von Flusen, Staub oder Tierhaaren.

Insbesondere kann es um den Heizbereich herum zu Staubbildung usw. kommen. Achten Sie besonders darauf, diesen Bereich regelmäßig zu reinigen, um Ablagerungen zu vermeiden.

## EINBAU

## ALLGEMEINES

### ERFORDERLICHE WERKZEUGE

1 X Schraubendreher

### AUSPACKEN DES GERÄT

**ACHTUNG!** Verwenden Sie das Gerät **NICHT**, wenn ein Teil davon mit Wasser in Berührung gekommen ist.

Beauftragen Sie umgehend einen qualifizierten Servicetechniker mit der Inspektion des Gerätes und ggf. dem Austausch von Teilen der elektrischen Anlage.

Öffnen Sie die Verpackung vorsichtig und entfernen Sie das Styropor.

Entfernen und entsorgen Sie den Plastikbeutel.

Halten Sie Plastikverpackungen von Kindern fern.

Gehen Sie verantwortungsvoll mit dem Verpackungsmaterial um.

Prüfen Sie, ob alle Teile und das Zubehör entnommen wurden, bevor Sie die Verpackung entsorgen.

Bewahren Sie ggf. die Originalverpackung für den zukünftigen Transport und/oder die Lagerung auf.

Testen Sie das Gerät vor der Installation.



**Dieses Gerät ist schwer und muss nicht am Kamin oder am Boden verankert werden, kann aber unter bestimmten Umständen instabil werden, z. B. wenn man sich auf das Gerät stützt. Falls dies wahrscheinlich ist, sichern Sie das Gerät mit ausreichend starken Befestigungen am Kamin oder Boden.**

## AUFSTELLUNGORT FÜR DAS GERÄT

Das Gerät kann praktisch überall in Ihrem Zuhause installiert werden. Achten Sie jedoch bei der Standortwahl darauf, dass die allgemeinen Anweisungen beachtet werden.

Für eine optimale Funktion sollte das Gerät außerhalb direkter Sonneneinstrahlung montiert werden.

Wenn das Netzkabel beschädigt ist, wenden Sie sich für Ersatz an Ihren Gazco-Händler. Verwenden Sie für dieses Gerät nur Originalteile von Gazco.

Zum einfacheren Anschließen sollte das Gerät in der Nähe einer geeigneten Netzsteckdose aufgestellt werden.

Die Netzsteckdose muss einfach zugänglich sein, um eine Trennung vom Stromnetz bei der Montage des Gerätes zu ermöglichen.

Dieses Gerät muss auf einer sauberen, ebenen und festen Oberfläche stehen.

Stellen Sie das Gerät nicht auf einen Teppich. Stellen Sie sicher, dass Möbel, Vorhänge usw. nicht näher als 1 m positioniert sind und das Gerät auf einer Oberfläche steht, die Temperaturen von 90 °C über längere Zeit standhält. Achten Sie darauf, dass sich keine Teppiche in einem Abstand von weniger als 500 mm zur Vorderseite des Geräts befinden.

Stellen Sie sicher, dass sich keine Vorhänge oder Möbel in der Nähe des gewählten Aufstellortes befinden, da dies eine potenzielle Brandgefahr darstellen oder zum Blockieren der Auslasskanäle des Heizgerätes führen könnte.

**ACHTUNG! HALTEN SIE ALLE BRENNBAREN MATERIALIEN MINDESTENS 1 M VON DER VORDERSEITE DES GERÄTS FERN.**

#### ABMESSUNGEN FÜR KAMINECKEN:

Für alle Modelle können die erforderlichen Abmessungen für den Einbau in eine Kaminecke berechnet werden, indem 225 mm zur Höhe des Geräts und 150 mm zu jeder Seite hinzugefügt werden. Weitere 50 mm müssen zur Tiefe hinzugefügt werden, um ausreichend Platz hinter dem Gerät zu schaffen.

### WARTUNGSANFORDERUNGEN



**BEI DER WARTUNG DIESES GERÄTES KANN ES ERFORDERLICH SEIN, KABELVERBINDUNGEN ZU TRENNEN, UM ZUGANG ZU BESTIMMTEN TEILEN ZU ERHALTEN UND DIESE ZU ENTFERNEN. DIESE MÜSSEN WIEDER ANGEBRACHT WERDEN, WENN DAS GERÄT ZUSAMMENGEBAUT WIRD.**

**DIESES GERÄT DARF NUR VON EINER ENTSPRECHEND QUALIFIZIERTEN PERSON GEWARTET WERDEN. BEVOR SIE ARBEITEN AN DEM GERÄT VORNEHMEN: SCHALTEN SIE DAS GERÄT AUS UND TRENNEN SIE ES VOM NETZ, UM SICHERZUSTELLEN, DASS DAS GERÄT SPANNUNGSFREI IST.**

Warten Sie mindestens 10 Minuten, bis das Gerät abgekühlt ist.

#### Batteriewechsel der Fernbedienung

Setzen Sie 2 neue AAA-Batterien ein. Vergewissern Sie sich, dass die Batterien richtig in der Fernbedienung eingelegt sind.



**HINWEIS: Die Fernbedienung verfügt über eine Batteriestatusanzeige (obere rechte Ecke). Nach längerem Betrieb mit leerer Batterie funktioniert der LED-Bildschirm nicht mehr, obwohl die Fernbedienung weiterhin Befehle senden kann. Ersetzen Sie die Batterien, um das Display wiederherzustellen.**

#### Instandhaltung der Motoren

Der für den Flammeneffekt verwendete Motor ist bereits geschmiert, um die Lebensdauer der Lager zu verlängern, und erfordert keine weitere Schmierung. Allerdings wird empfohlen, die Heizeinheit in regelmäßigen Abständen zu reinigen/abzusaugen.

#### Zurücksetzen des Thermoschutzschalters

Das Gerät ist mit einer elektronischen Sicherheitssteuerung (E.S.) ausgestattet. Dies ist eine Sicherheitseinrichtung, die den Kamin abschaltet, wenn sich das Gerät aus irgendeinem Grund überhitzt, z. B. wenn es abgedeckt wurde.

Stoppt das Heizgerät den Betrieb, während der Flammeneffekt normal weiter betrieben wird, ist dies ein Hinweis darauf, dass die E.S. aktiv ist.

Die E.S. kann erst zurückgesetzt werden, nachdem sich das Gerät abgekühlt hat.

Zurücksetzen der E.S.:

Schalten Sie das Gerät aus (manueller Ein/Aus-Schalter) und lassen Sie es ca. 120 Minuten lang abkühlen.

Entfernen Sie sämtliche Fremdkörper vom Auslass des Heizlüfters bzw. anderen Innenteilen.

Schalten Sie das Gerät ein; die E.S. wird nun zurückgesetzt.

Stellen Sie sicher, dass das Gerät ordnungsgemäß funktioniert.

Falls die E.S. erneut aktiviert wird, sollten Sie dies durch eine

Elektrofachkraft überprüfen lassen.

## BELANGRIJK

**DELEN VAN DE BUITENBEHUIZING VAN DIT APPARAAT WORDEN DOOR DE FABRIKANT BESCHOUWD ALS EEN WERKOPPERVLAK DAT HEET WORDT WANNEER DE VERWARMER IS INGESHAKELD. HET WORDT DAAROM AANBEVOLEN DAT ER EEN HAARDSCHERM, DAT VOLDOET AAN DE BS 8423 (LAATSTE EDITIE), WORDT GEBRUIKT IN DE AANWEZIGHEID VAN JONGE KINDEREN, OUDEREN OF MINDER VALIDEN.**

**DE GRILL VAN DE VERWARMINGSUITGANG WORDT ERG HEET TIJDENS DE WERKING. DEK DE UITGANGSGRILL OF EEN ONDERDEEL VAN HET APPARAAT NIET AF.**

Voor het gebruik met een 230V 50Hz voeding.

Lees deze instructies vóór de installatie zorgvuldig door en berg het op een veilige plek op.

U zult deze nodig hebben wanneer er onderhoud op de haard uitgevoerd moet worden.

**DIT APPARAAT MOET WORDEN GEAARD**

**DIT PRODUCT IS UITSLUITEND GESCHIKT VOOR GOED GEÏSOLEERDE PLAATSEN OF VOOR INCIDENTEEL GEBRUIK.**

### BELANGRIJKE INFORMATIE & VEILIGHEIDSVORSCHRIFTEN

**Lees de hele handleiding zorgvuldig door, voordat het apparaat gebruikt wordt.**

**Verwijder al het verpakkingsmateriaal. De verpakking moet op de juiste manier tot afval verwerkt worden.**

Plaats deze haard niet rechtstreeks onder een stopcontact.

Delen van de buitenbehuizing van dit apparaat worden door de fabrikant beschouwd als een werkoppervlak dat heet wordt wanneer de verwarmers is ingeschakeld. U dient een geschikt vuurscherm te gebruiken om kinderen, ouden van dagen en de lichamenlijk zwakken.

Gebruik deze haard niet in de onmiddellijke nabijheid van een bad, douche of zwembad, of andere gebieden waar de haard met water in contact kan komen.



#### **WAARSCHUWING! NIET BEDEKKEN**

**WAARSCHUWING** Sta niet toe dat de haard afgedekt wordt of de luchtinlaat/afvoer verstopt kan raken omdat het apparaat dan kan oververhitten. Let op het waarschuwingssymbool op het apparaat (zie hierboven).

**Alleen voor gebruik binnenshuis. Dit apparaat is niet geschikt voor gebruik buitenshuis.**

Dit apparaat moet op een vlakke, stevige ondergrond geplaatst worden. De haard niet op een tapijt neerzetten. Zorg ervoor dat meubels, gordijnen, enz. niet dichterbij dan 1 meter bij het apparaat vandaan geplaatst worden en de haard staat op een ondergrond die gedurende langere tijd temperaturen van 90°C kan weerstaan. Geen kleedjes binnen 500mm van de voorkant van de haard plaatsen.

Wanneer de elektriciteitskabel door een haardstede, stenen omhulsel, enz. geleid moet worden, zorg er dan voor dat er geschikte rubberen bescherming aangebracht wordt op de punten waar slijtage kan optreden.

Indien de haard in een open haardstede geïnstalleerd wordt, sluit de schoorsteen dan af om het risico van tocht achter de haard te verminderen. Dit kan ertoe leiden dat de beveiliging de haard uitschakelt.

Houd het elektriciteits snoer uit de buurt van hete oppervlakten en voorwerpen. Laat hetelektriciteits snoer niet langs de voorkant van het apparaat lopen.

Wanneer de haard geïnstalleerd is moet de stekker toegankelijk zijn.

Indien de elektriciteitskabel beschadigd is, gebruik het apparaat dan niet totdat het vervangen is. Om veiligheidsredenen moet Gazco, een Gazco servicebedrijf of een elektricien met een gelijksoortige ervaring de haard vervangen.

**WAARSCHUWING:** Om een gevaar veroorzaakt door het onachtzaam resetten van de thermische beveiliging te voorkomen, mag dit toestel niet worden gevoerd door een extern schakelapparaat, zoals een timer, en niet worden aangesloten op een circuit dat geregeld wordt aan- en uitgeschakeld door de utiliteit.

Het apparaat niet gebruiken als het beschadigd is.

Reparatie van elektrische apparatuur mag alleen door een elektricien uitgevoerd worden. Mocht het apparaat niet functioneren, of in geval van schade, kunt u contact opnemen met de winkel waar het apparaat gekocht is.

Dit toestel kan worden gebruikt door kinderen van 8 jaar en ouder en door personen met verminderd lichamenlijk, zintuiglijk of mentaal vermogen of met gebrek aan ervaring en kennis indien onder toezicht of met instructies betreffende het veilig gebruiken van het toestel en met kennis van mogelijke gevaren. Kinderen mogen niet spelen met het toestel. Schoonmaken en gebruiksonderhoud mag niet worden uitgevoerd door kinderen zonder toezicht.

Buiten bereik van kinderen onder de 3 jaar houden tenzij onder constant toezicht.

Kinderen tussen de 3 en 8 jaar mogen alleen het toestel aan-/uitschakelen ervan uitgaande dat deze is geplaatst of geïnstalleerd in zijn bedoelde normale werkpositie en onder toezicht of met instructies betreffende het veilig gebruiken van het toestel en met kennis van mogelijke gevaren. Kinderen tussen de 3 en 8 jaar mogen het toestel niet aansluiten, reguleren en schoonmaken of onderhoud uitvoeren.

**Let op: Sommige onderdelen van dit product kunnen erg heet worden en brandwonden veroorzaken. Er moet bijzondere aandacht worden besteed aan de aanwezigheid van kinderen en kwetsbare mensen.**

**Echter adviseert Gazco:**

**Dit apparaat is niet geschikt voor gebruik door personen jonger dan 12 jaar, personen met beperkte lichamenlijke, sensorische of geestelijke vermogens of personen met gebrek aan ervaring en kennis over de veilige bediening van het apparaat.**

Het apparaat kan worden bediend door personen vanaf 12 jaar onder voorwaarde dat zij zijn geïnstrueerd in het veilige gebruik van het apparaat en hebben begrepen wat de mogelijke gevaren zijn. Personen vanaf 12 jaar mogen het apparaat bedienen onder toezicht van een verantwoordelijke volwassene.

Delen van dit apparaat worden heet tijdens de werking en personen jonger dan 12 jaar mogen nooit alleen worden gelaten met het apparaat wanneer dit aan staat tenzij een geschikt brandscherm wordt gebruikt om hen te beschermen tegen mogelijk rechtstreeks contact met het apparaat.

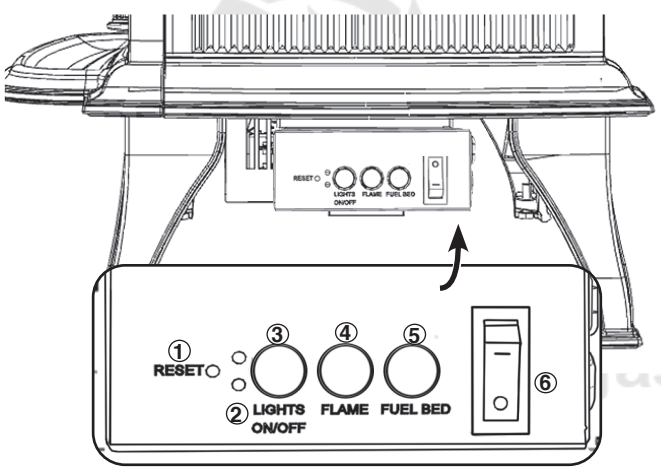
Kinderen mogen niet spelen met het toestel. Schoonmaken en gebruiksonderhoud mag niet worden uitgevoerd door kinderen zonder toezicht.

### BEDIENINGSINSTRUCTIES

**WAARSCHUWING!** Het apparaat niet gebruiken als het beschadigd of defect is. Als u vermoedt dat het apparaat beschadigd of defect is neem dan contact op met een bevoegde elektricien om het apparaat te laten inspecteren en, indien nodig, om delen van het elektrische systeem te laten vervangen voordat het opnieuw gebruikt wordt.

Koppel de stroom bij de netvoeding niet los terwijl het toestel draait. Gebruik de functies op de afstandsbediening om het vuur uit te schakelen en controleer of de hoofdschakelaar op de uit-positie staat vóór het loskoppelen.

### HANDMATIG BEDIENINGSPANEEL



1. Knop voor afstandsbediening resetten
2. Verhittingsindicatoren
3. Alle lichten AAN-/UIT-knop
4. Vlameffectknop
5. Brandstoflaag
6. Standby On/Off Schakelaar

### BEDIENINGSINSTRUCTIES

Druk op 6 om het apparaat aan/uit te zetten.

**i** **OPMERKING:** Om zowel afstandsbediening als handmatige functies te gebruiken, moet de handmatige AAN/UIT-schakelaar in de AAN-positie staan. Om te voorkomen dat het product te heet wordt, is er 10s vertraging wanneer de verwitter wordt ingeschakeld en 10s vertraging wanneer de luchtverhitter wordt uitgeschakeld.

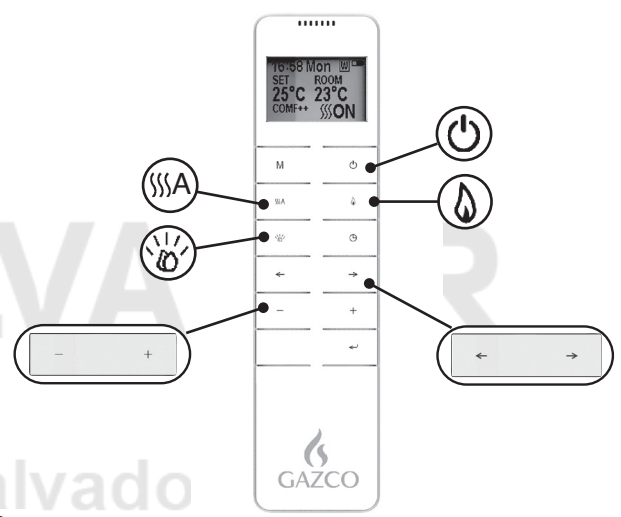
De handmatige basisfuncties met knopbediening, niet alle bedieningsmogelijkheden. Gebruik de bedieningstelefoon om alle functies te kunnen uitvoeren.

Druk op 3 om de vlammen en het brandstofbed tegelijk aan/uit te zetten.  
 Druk op 4 om de kleur vlam te kiezen of om terug te keren naar de UIT-stand.  
 Er zijn 3 vlamkleuropties.  
 Druk op 5 om de kleur vlam te kiezen of om terug te keren naar de UIT-stand.  
 Er zijn 10 brandstofbedkleuropties.

**Opmerking:** Het toestel zal het geheugen voor lichtfuncties verliezen wanneer de schakelaar op de UIT-positie staat of de afstandsbediening leeg is.

### AFSTANDSBEDIENINGEN

De afstandsbediening moet worden bewaard op een vlak oppervlak in de kamer waar het toestel is geïnstalleerd en weg van enige directe hete luchtstroom.

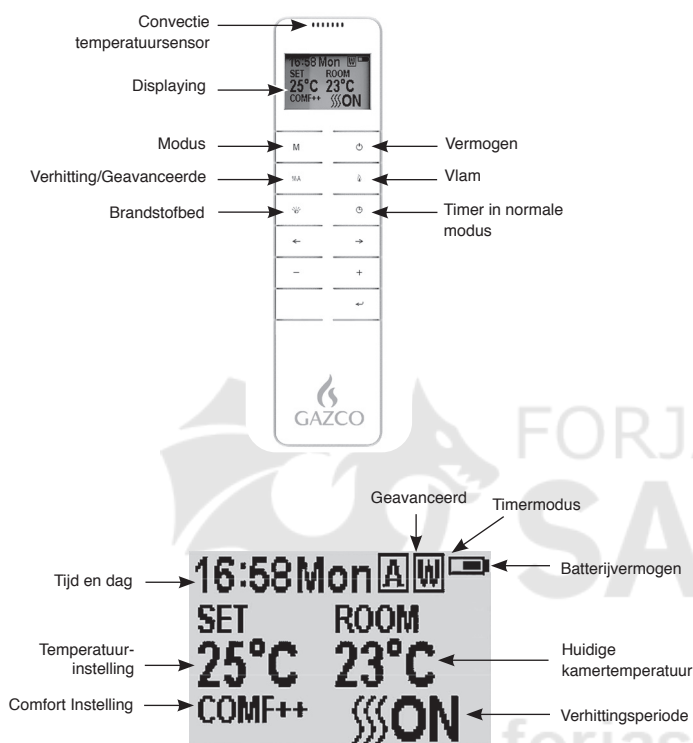


- Vermogen
- Verhitting/Geavanceerde
- Vlam
- Brandstofbed
- Kleuropties
- Niveaus

### HET APPARAAT GEBRUIKEN - SNELSTART

- Druk op Apparaat aan/uit**  
Het apparaat start in de laatst gekozen stand.
- Druk op Verwarmingselement aan/uit.**  
 - Verhoog of verlaag de warmteafgifte.
- Druk op Vlameffect aan/uit.**  
 - Wijzig de kleuroptie.  
Er zijn 3 vlamkleuropties:  
 - Verhoog of verlaag de warmteafgifte.
- Druk op Brandstofbedeffect aan/uit.**  
 - Wijzig de kleuroptie.  
Er zijn 14 opties:  
 - Verhoog of verlaag de helderheid.

## HET APPARAAT GEBRUIKEN - SNELSTART



### DRUK OP AAN/UIT

Druk op de knop om het vlammeffect in te schakelen.

Druk op de knop om alle functies uit te schakelen onder de normale verwarmingsbestuurmodus, inclusief vlammeffect en luchtverhitter.

Druk op de knop om het vlammeffect onder de dagelijkse of wekelijkse timingverhittermodus uit te schakelen.

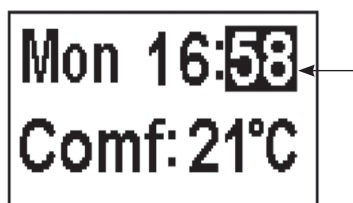
### WEEK DAGEN / TIJD / COMFORTTEMPERATUUR EN EENHEIDINSTELLING

**Controleer of de klok op de juiste tijd staat.**

Houd de **M** knop voor 3 seconden ingedrukt om naar het instellingenscherf te gaan.

Druk op de '←' of de '→' -knop om de te wijzigen instelling te kiezen.

Het geselecteerde kenmerk wordt gemarkeerd.



Druk op de '+' of '-' knop om de waarde aan te passen.  
Tijd: 24-uurssysteem.  
Selecteer comforttemperatuur tussen 15-25°C.  
Temperatuureenheid: °C/°F.

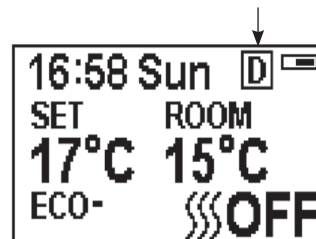
Druk op de -knop voor 3 seconden of wacht 10 seconden om op te slaan en de week-, tijd- en verhittingstemperatuurinstelling te verlaten.

### DAGELIJKSE VERHITTINGSTIMER

De volgende verhittingsperiodes zijn ingesteld; deze kunnen indien gewenst worden aangepast:

06:00 tot 08:00  
17:00 tot 22:00

Houd **M** ingedrukt tot **D** er rechtsbovenaan op het scherm toegang tot de dagelijkse verhittingstimermodus verschijnt.

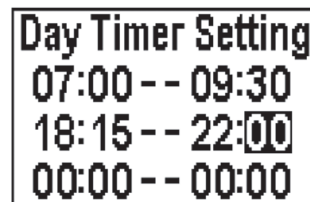


Houd de -knop voor 6 seconden ingedrukt voor toegang tot de dagelijkse verhittingsinstelling.

Een maximum van 3 verhittingsperiodes per dag kan worden ingesteld.

Druk op '←' of '→' om uur of minuut te kiezen.

Druk op '+' of '-' om de waarde in te stellen.  
De minuuttoename/-afname per 15 min per keer drukken.



Houd de -knop voor 3 seconden ingedrukt of wacht 10 seconden om op te slaan en de verhittingstijdperiodeinstelling te verlaten.

Controleer de timerinstelling. Druk op om de dagelijkse timermodus te controleren.

Als de verhitting moet worden uitgeschakeld, is het noodzakelijk om terug te gaan naar de normale bestuursmodus.

**Als het toestel in de dagelijkse timermodus wordt uitgeschakeld met de afstandsbediening, zal de lichtuitvoer worden gestopt. De hitteuitvoer zal doorgaan afhankelijk van de timerinstellingen.**

### DE INGESTELDE TEMPERATUUR AANPASSEN

Druk op de '+'- of '-'-knop om de temperatuur op basis van de COMF-temperatuur te laten toe- of afnemen.

**COMF** geeft aan dat de huidige temperatuur gelijk is aan de ingestelde.

**ECO** geeft aan dat de huidige temperatuur 2°C lager is dan de ingestelde temperatuur.

**ECO-** betekent 4°C lager.


**COMF+** betekent 2°C hoger.

**COMF++** betekent 4°C hoger.

### AANPASBARE STARTBESTURING

Overeenkomstig met de kamertemperatuur en de gewenste temperatuur, bepaalt de verhitter automatisch de geschikte opwarmtijd om te garanderen dat het de gewenste temperatuur bereikt binnen de ingestelde tijd (tot 45 minuten voor de ingestelde tijd).

### AANPASSEN VLAMKLEUR

Druk op de -knop voor toegang tot het vlamaanpassingsscherm.

Er zijn 3 vlamkleuropties, aangegeven door de getoonde waarde.

Er zijn 6 helderheidsniveaus, inclusief 'uit'. Dit wordt aangegeven door de balk met de witte balk die 'uit' aangeeft.




Druk op de '←' of de '→'-knop om door de vlamkleuropties te gaan.

Druk op de '+'-knop om de vlamhelderheid te verhogen.

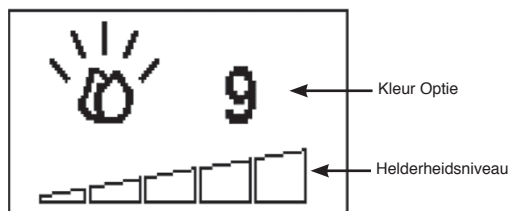
Druk op de '-'-knop om de vlamhelderheid te verlagen tot deze uit is.

### AANPASSEN VUURBEDKLEUR

Druk op  voor toegang tot het scherm voor aanpassen vuurbedkleur.

Er zijn 14 vuurbedkleuropties, aangegeven door de getoonde waarde.

Er zijn 6 helderheidsniveaus, inclusief 'uit'. Dit wordt aangegeven door de balk met de witte balk die 'uit' aangeeft.



Druk op de '←' of de '→'-knop om door de vuurbedkleuropties te gaan.

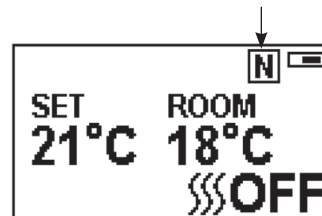
Druk op de '+'-knop om de vuurbedhelderheid te verhogen.

Druk op de '-'-knop om de vuurbedhelderheid te verlagen tot deze uit is.




### NORMALE BESTURINGSMODUS

De normale besturingsmodus is de standaardinstelling.

Houd als alternatief de **M** knop ingedrukt tot het **N** logo rechts bovenaan het scherm verschijnt.



Druk op de '+' of '-'-knop om de temperatuursinstelling van 17 °C tot 25°C aan te passen.

Druk op de  **A** knop om de warmte aan/uit te schakelen; in de rechter onderhoek van het scherm zal  **AAN** of  **UIT** worden getoond.




Opmerking: Het is gebruikelijk dat de luchtverhitter stopt met draaien gedurende tijdsperiodes. Dit gebeurt als de kamertemperatuur hoger is dan de ingestelde temperatuur op de bediening.

De verhittingsindicator wordt uitgeschakeld na 10s als de vlam **AAN** staat. De verhittingsindicator blijft **AAN** als enkel de verhittingsfunctie wordt gebruikt.

**Als in de normale bedieningsmodus het toestel met de afstandsbediening wordt uitgeschakeld, zullen zowel de licht- als warmteproductie stoppen.**

### AFTELLINGSTIMER

Deze instelling bestaat alleen in de normale bedieningsmodus bij verhitting. Dit maakt het mogelijk om het toestel in stand-by te zetten na een ingestelde tijdsperiode. De verhitter moet ingeschakeld zijn om deze functie te kunnen gebruiken.

Druk op  om door de instelling te gaan van **UIT** en 0.5 uur tot 9 uur. Timerlogo en resterende tijd worden op het scherm getoond.

De verhitting van het toestel kan automatisch werken door de dagelijkse timer en de wekelijkse timer op de afstandsbediening te gebruiken.

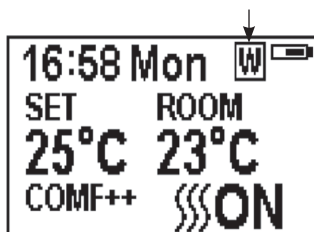
### VERHITTING WEKELIJKSE TIMER

De volgende verhittingsperiodes zijn ingesteld; deze kunnen worden gewijzigd indien gewenst:

Van maandag tot vrijdag  
06:00 tot 08:30  
17:00 tot 22:00

Van zaterdag tot zondag  
06:30 tot 09:30  
11:00 tot 13:00  
17:00 tot 22:00

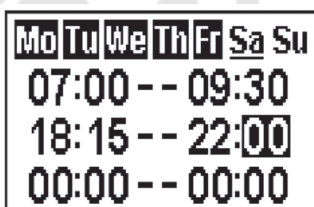
Druk op **M** tot **W** wordt getoond rechtsbovenin in het scherm voor toegang tot de wekelijkse verhittingsmodus.



Houd de **←**-knop voor 6 seconden ingedrukt voor toegang tot de instelling voor wekelijkse timer voor verhittingsmodus.

Druk op '**←**' of '**→**' om de cursor (een knipperende onderstreep) te bewegen.

Druk op de **←**-knop in de corresponderende weekpositie om de huidige instelling te selecteren (het kenmerk wordt gemarkeerd) of te annuleren (het kenmerk wordt normaal weergegeven); dezelfde tijdsperiode kan tegelijk worden geselecteerd.



Druk op de '**→**'-knop om de cursor naar het instellingsgebied van de tijdsperiode te bewegen.

Druk op de '**←**' of de '**→**'-knop om uur of minuut te bepalen.

Druk op '**+**' of '**-**' om de waarde te bepalen.

Een maximum van 3 verhittingsperiodes per dag kan worden ingesteld.

Verhoging/verlaging van minuut per 15 min per druk op de knop.

Druk op **←** om de verhittingstijd voor de geselecteerde dag in te stellen en terug te keren naar de weeklijn.

Houd de **←**-knop voor 3 seconden ingedrukt of wacht 10 seconden om op te slaan en de verhittingstijdperiodeinstelling te verlaten.

Druk op **←** '**←**' of op '**→**' om de timerinstelling voor de verhittingsmodus van de weektimer te controleren.

Als de verhitting moet worden uitgeschakeld, is het noodzakelijk om terug te gaan naar de normale bestuursmodus.

**Als in de wekelijkse timermodus het toestel door de afstandsbediening wordt uitgeschakeld, zal de lichtuitvoer stoppen. De hitteuitvoer zal doorgaan afhankelijk van de timerinstellingen.**

## DE INGESTELDE TEMPERATUUR AANPASSEN

Druk op de '**+**'- of '**-**'-knop om de temperatuur op basis van de COMF-temperatuur te laten toe- of afnemen.

**COMF** geeft aan dat de huidige temperatuur gelijk is aan de ingestelde.

**ECO** geeft aan dat de huidige temperatuur 2°C lager is dan de ingestelde temperatuur.

**ECO-** betekent 4°C lager.

**COMF+** betekent 2°C hoger.

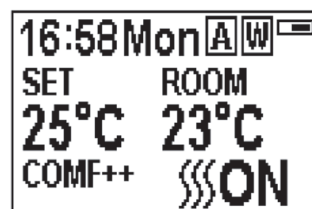
**COMF++** betekent 4°C hoger.

## AANPASBARE STARTBESTURING

Overeenkomstig met de kamertemperatuur en de gewenste temperatuur, bepaalt de verhitser automatisch de geschikte opwarmtijd om te garanderen dat het de gewenste temperatuur bereikt binnen de ingestelde tijd (tot 45 minuten voor de ingestelde tijd).

## GEAVANCEERDE MODUS

De verhittingstoestand kan worden verlengd tot de volgende periode bij zowel de dagelijkse als wekelijkse timerverhittingsmodus.



Als de verhitser aan is tijdens de huidige periode, zal op de knop drukken de verhitser uitschakelen.

Als de verhitser uit is tijdens de huidige periode, zal op de knop drukken de verhitser inschakelen.

Of de huidige verhitting aan/uit is hangt ook af van de kamertemperatuur en de ingestelde temperatuur.

Druk op **W A** voor toegang tot de geavanceerde modus onder de dagelijkse en wekelijkse timerverhittingsmodus, **A** die zal worden getoond rechtsbovenin het scherm.

Druk **W A** nogmaals of de timerperiode zal de geavanceerde modus beëindigen.

## DETECTEREN VAN OPEN RAAM

Als de zender een sterke daling in kamertemperatuur waarneemt, zal dit worden opgevat als een open raam: het waarschuwingsicoon zal worden weergegeven en de verhitser zal automatisch worden uitgeschakeld.



Na stijging van de binnentemperatuur of door handmatige ingreep (door de afstandsbediening te bedienen), zal het toestel terugkeren naar normaal functioneren.

## HET APPARAAT GEBRUIKEN - FOUTOPSPORING

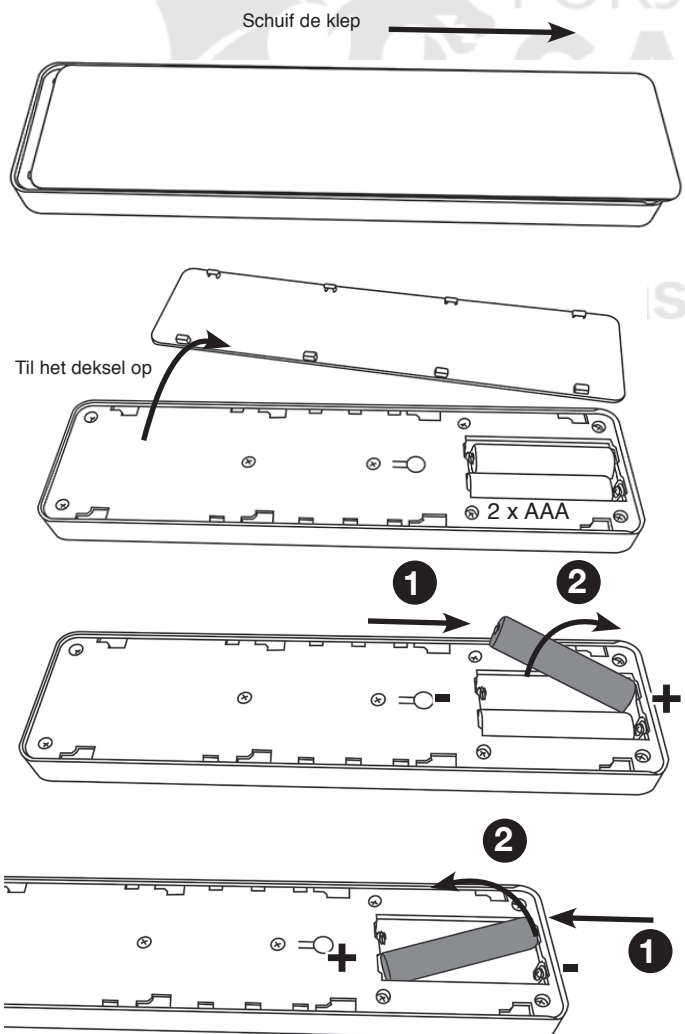
### BATTERIJ

Het batterijniveau wordt aangegeven rechtsbovenin op het afstandbedieningsscherm.

	Volle batterij	Geen handeling vereist
	Halfvolle batterij	Controleer of nieuwe batterijen aanwezig zijn.
	Lege batterij	Vervang batterijen onmiddellijk

### BATTERIJ VERVANGING

Lege batterijen moeten uit het apparaat worden gehaald en veilig worden afgevoerd.



Zorg ervoor dat de batterijen nieuw zijn en op de juiste manier geplaatst zijn.

Wanneer u de batterijen vervangt, dient u ervoor te zorgen dat de gebruikte batterijen op de juiste manier tot afval worden verwerkt.

Vervanging van batterij na 1 jaar wordt aangeraden. De afstandsbediening heeft twee 1.5V alkaline AAA-batterijen nodig. Let op de juiste polariteit. Veroorzaak geen kortsluiting in de aansluitingen.

Probeer niet om niet-oplaadbare batterijen op te laden.

Verwijder oplaadbare batterijen voordat u ze oplaadt.

Gebruik geen oude en nieuwe batterijen door elkaar.

Verwijder de batterijen als het apparaat langere tijd niet wordt gebruikt.

**Het vervangen van de batterijen beïnvloedt de timermodusinstellingen niet, maar misschien zal de klok moeten worden gelijk gezet.**

**i** **OPMERKING:** Om zowel afstandsbediening als handmatige functies te gebruiken, moet de handmatige AAN/UIT-schakelaar in de AAN-positie staan. Om te voorkomen dat het product te heet wordt, is er 10s vertraging wanneer de verhitter wordt ingeschakeld en 10s vertraging wanneer de luchtverhitter wordt uitgeschakeld.

De handmatige basisfuncties met knopbediening, niet alle bedieningsmogelijkheden. Gebruik de bedieningstelefoon om alle functies te kunnen uitvoeren.

### VERWARMINGSINDICATOREN

Wanneer de luchtverhitter wordt gebruikt in combinatie met de vlam of met vuurbedeecten zullen de verwarmingsindicatoren voor 10 seconden oplichten.

De LED's zullen voor 10 seconden oplichten als de vlam of het vuurbedeect AAN is.

Als de luchtverhitter onafhankelijk wordt gebruikt, zullen de verwarmingsindicatoren aan blijven.

### KNOP VOOR AFSTANDSBEDIENING RESETTEN

Als de telefoon signaal verliest of moet worden vervangen, zie Onderhoudssectie voor meer informatie.

### SIGNAALCODE

De afstandsbediening werkt op radiosignaal.

De handzender is in de fabriek ingesteld met een unieke signaalcode.

**BELANGRIJK:** Als de telefoon signaal verliest of moet worden vervangen, zie Onderhoudssectie voor meer informatie.

## ONDERHOUD



**BELANGRIJK: DE BUITENSTE LAMBRISERING VAN DE GAZCO HUNTINGDON IS GEMAAKT UIT GIETIJZER. WEES VOORZICHTIG BIJ HET INSTALLEREN, VERWIJDEREN EN OPSLAAN AANGEZIEN DE ONDERDELEN ZWAAR ZIJN EN VOORZICHTIG BEHANDELD MOETEN WORDEN.**

**DE STEKKER ALTIJD UIT HET STOPCONTACT HALEN VOORDAT ER REINIGINGS WERZAAMHEDEN OF ONDERHOUDSWERKZAAMHEDEN UITGEVOERD WORDEN.**

### REINIGING

De buitenkant alleen schoonmaken wanneer deze koud is. Geen schurende reinigingsmiddelen gebruiken.

### REINIGING VOORZIJDEN

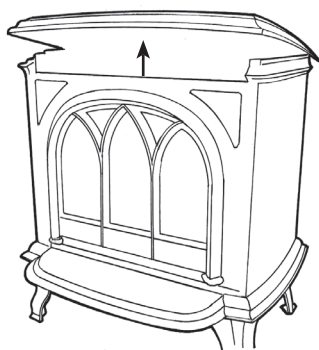
Maak het kijkvensterpaneel schoon met een vochtige doek en veeg af met een pluisvrije stofdoek.

**Waarschuwing: Geen schurende reinigingsmiddelen op het glaspaneel gebruiken. Spuit geen vloeistoffen rechtstreeks op het oppervlak van de unit spuiten.**

### HET SCHOONMAKEN VAN DE BRANDSTOF EFFECT

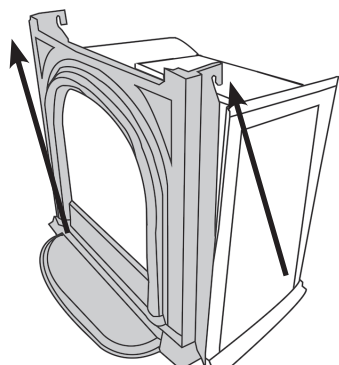
Om het brandstofeffect te openen, is het nodig om het glazen kijkpaneel te verwijderen.

Zorg ervoor dat de stekker niet meer in het stopcontact steekt.



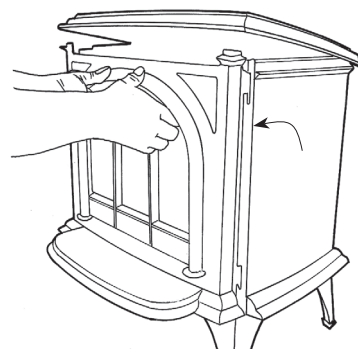
### HUNTINGDON 20 & 40

Ondersteunt de deur boven en onderaan tijdens het vooruit trekken tijdens het opheffen naar boven in een hoek van 45° totdat deze vrij is uit de sleuven en weg getrokken is van het apparaat, zie Afbeelding.

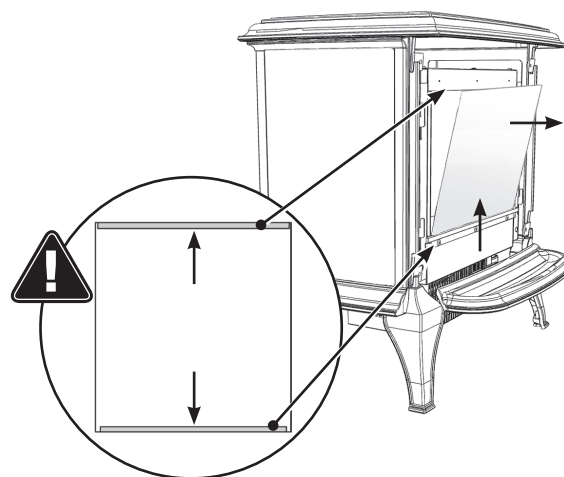
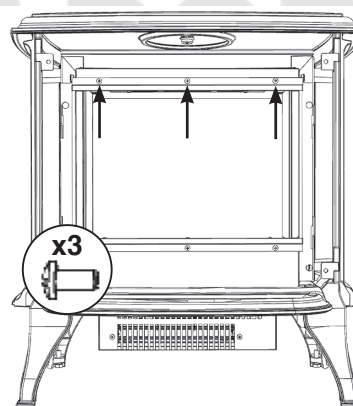


### HUNTINGDON 30

Til de voorkant naar boven totdat dit uit de sleuven gekomen is en trek de voorkant naar u toe bij de haard vandaan, zie Afbeelding.



### ALLE MODELLEN



Er is nu toegang tot het brandstofeffect.

Verwijder en was het brandstofeffect om stofdeeltjes te verwijderen. Kan ook met een lintvrije duster worden gereinigd. **Zorg ervoor dat het effect droog is, voordat deze wordt teruggeplaatst.**

**Vervang het brandstofeffect, zie Installatieinstructies Sectie 4 voor schema.**

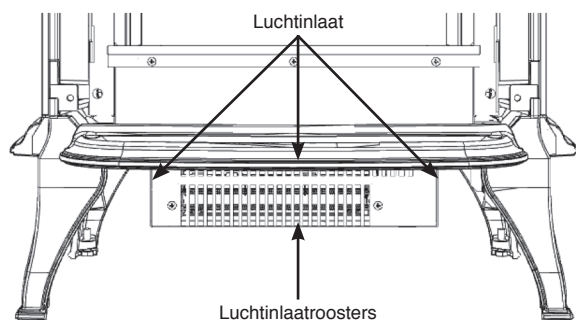
Herplaats alles weer in omgekeerde volgorde.

## LUCHTINLATEN REINIGEN

Zorg ervoor dat de stekker niet meer in het stopcontact steekt.

Maak de luchtinlaat en de luchtinlaatroosters regelmatig met een zachte doek of het mondstuk van een stofzuiger schoon.

Opmerking: Er zijn luchtinlaten voorzien tussen de binnen- en buitenboxen, zorg ervoor dat deze regelmatig worden schoongemaakt.



**Opgehoopt stof zal het vrijelijk bewegen van de ventilator beperken en kan ertoe leiden dat het beveiligingsmechanisme in werking treedt.**

Houd het gebied rond de haard schoon en vrij van pluïsjes, stof of haren van huisdieren.

Stof enz. kan zich vooral verzamelen rond het verwarmingsgebied bovenaan het apparaat. Zorg er regelmatig voor dat dit gebied geen van deze stofdeeltjes bevat, zodat een opeenhoping voorkomen wordt.

## ALGEMEEN

### BENODIGD GEREEDSCHAP

1 x Schroevendraaier

### DE OPEN HAARD UITPAKKEN.

**WAARSCHUWING! Dit apparaat NIET gebruiken als er onderdelen aan water blootgesteld zijn geweest.**

Bel onmiddellijk een erkende installateur om een inspectie te laten uitvoeren en vervang, indien nodig, onderdelen van het elektrische systeem.

De verpakking zorgvuldig openen en verwijder het polystyreen. Verwijder de plastic zak en gooi deze weg. Houd plastic verpakkingsmateriaal uit de buurt van kinderen. Wees verantwoordelijk bij het hanteren van het verpakkingsmateriaal.

Controleer of alle onderdelen en accessoires verwijderd zijn voordat de verpakking weggegooid wordt. Bewaar de originele verpakking, indien nodig, voor toekomstig transport en/of opslag.



**Dit apparaat is zwaar en vereist geen verankerung in de haard of vloer, maar in bepaalde omstandigheden kan het apparaat onstabiel worden, bijv. bij het leunen tegen het apparaat. Als dit kan gebeuren, borg het apparaat in de haard of vloer met geschikte sterke bevestigingen.**

## HET APPARAAT PLAATSEN

Uw nieuwe Marlborough kan bijna overal in uw huis worden geïnstalleerd. Zorg er echter bij het kiezen van een locatie voor dat de standaard instructies worden opgevolgd.

Voor het beste resultaat niet in direct zonlicht installeren.

Als de voedingskabel beschadigd is, moet deze door de fabrikant, een geautoriseerd service centrum of een vakman gerepareerd worden.

Het apparaat moet dicht bij een geschikt stopcontact geplaatst worden om de aansluiting mogelijk te maken. Het stopcontact moet gemakkelijk toegankelijk zijn om de stekker eruit te kunnen trekken wanneer het apparaat geïnstalleerd is.

Dit apparaat moet op een vlakke, stevige ondergrond geplaatst worden. De haard niet op een tapijt neerzetten. Zorg ervoor dat meubels, gordijnen, enz. niet dichterbij dan 1 meter bij het apparaat vandaan geplaatst worden en de haard staat op een ondergrond die gedurende langere tijd temperaturen van 90°C kan weerstaan. Geen kleedjes binnen 500mm van de voorkant van de haard plaatsen.

Zorg ervoor dat gordijnen en meubels niet zijn geplaatst in de buurt van de gekozen positie, aangezien dit een potentieel brandgevaar zou maken of blokkeren van de verwarming uitlaat leidingen.

**WAARSCHUWING! HOUD ALLE BRANDBARE MATERIELEN MINIMAAL 1 METER UIT DE BUURT VAN DE VOOR VAN DE ELEKTRISCHE HAARD.**

### ALLE 'ZITPLAATS' HAARDOPENINGEN:

De voor alle modellen benodigde afmetingen voor een installatie van een 'zitplaats' haard kunnen berekend kunnen worden door 225 mm aan de hoogte en 150 mm aan de twee zijanten van het apparaat toe te voegen. Er moet een extra 50mm diepte worden toegevoegd om genoeg ruimte achter het apparaat te creëren.

## ONDERHOUD



**TIJDENS ONDERHOUD VAN DIT APPARAAT KAN HET NODIG ZIJN OM DE KABELBINDERS LOS TE SNIJDEN OM TOEGANG TE VERKRIJGEN TOT DELEN OF OM DEZE TE VERWIJDEREN. DEZE MOETEN WORDEN TERUGGEPLAATST BIJ HET OPNIEUW AANBRENGEN VAN HET APPARAAT.**

**DIT APPARAAT MAG UITSLUITEND ONDERHOUDEN WORDEN DOOR EEN VOLDOENDE GEKWALIFICEERDE PERSOON. ALVORENS IETS TE DOEN AAN HET TOESTEL: SCHAKEL HET TOESTEL UIT EN ISOLEER DE STROOMTOEVOER. CONTROLEER DAT HET TOESTEL NIET ONDER STROOM STAAT.**

Wacht minstens 10 minuten totdat het apparaat is afgekoeld.

### Batterijen Afstandsbediening Vervangen

Met een AAA-batterij vervangen. Zorg ervoor dat de batterij op de juiste wijze in de afstandsbediening is geplaatst.



**OPMERKING: De afstandsbediening heeft een batterijstatusindicator (rechtsboven in de hoek), na een lange periode van lege weergave zal het LED-scherm niet meer werken, ondanks dat de handset nog steeds opdrachten kan verzenden. Vervang de batterijen om het display te herstellen.**

### Onderhoud van Motoren

De motoren die voor de ventilator en het vlameffect gebruikt worden zijn vooraf gesmeerd voor een langere levensduur van de lagers en hebben geen verdere smering nodig. Het wordt echter aanbevolen de ventilator/verwarmingsunit regelmatig te reinigen/ stof weg te zuigen.

### De thermische beveiligingsschakelaar resetten

Het toestel is uitgerust met een Electronic Safety Control (E.S.). Dit is een veiligheidsvoorziening die de haard uitschakelt als het apparaat, om welke reden dan ook, oververhit raakt, bijvoorbeeld wanneer hij afgedekt is.

Als de haard niet meer functioneert, maar het vlameffect blijft gewoon doorgaan, geeft dit aan dat de ES Control functioneert. De E.S. Control kan alleen opnieuw worden ingesteld nadat het apparaat is afgekoeld.

### Opnieuw instellen van de ES:

Schakel het apparaat uit (Handmatige aan/uit-schakelaar) en laat het gedurende 120 minuten afkoelen. Verwijder eventuele verstoppingen uit de uitlaat van de ventilatorkachel of andere interne onderdelen. Zet het apparaat opnieuw aan en de E.S. Control zal opnieuw ingesteld worden. Zorg ervoor dat het apparaat op de juiste wijze functioneert. Als de E.S. Control opnieuw functioneert, moet het apparaat door een vakbekwame elektricien worden gecontroleerd.

## IMPORTANTE

**ALCUNE PARTI DELL'INVOLUCRO ESTERNO DELL'APPARECCHIO SONO CONSIDERATE DAL PRODUTTORE SUPERFICI DI LAVORO CHE SI SCALDANO ALL'ACCENSIONE DEL RISCALDATORE. SI RACCOMANDA QUINDI DI USARE UN PARAFUOCO CONFORME ALLA NORMA BS 8423 (ULTIMA EDIZIONE) IN PRESENZA DI BAMBINI, ANZIANI O INVALIDI.**

**LA GRIGLIA DI USCITA DEL RISCALDATORE DIVENTA BOLLENTE DURANTE L'USO. NON COPRIRE LA GRIGLIA DI USCITA NÉ ALCUNA PARTE DELL'APPARECCHIO.**

Da usare solo con alimentazione elettrica da 230 V, 50Hz.

Leggere attentamente queste istruzioni prima dell'installazione e conservarle in un luogo sicuro, poiché saranno necessarie al momento di eseguire riparazioni o manutenzione.

QUESTO APPARECCHIO DEVE ESSERE PROVVISORIO DI MESSA A TERRA

**IL PRESENTE PRODOTTO È ADATTO SOLO A AMBIENTI CORRETTAMENTE ISOLATI O AD UN USO OCCASIONALE.**

## INFORMAZIONI IMPORTANTI E SALUTE E SICUREZZA

**Leggere attentamente tutte le istruzioni prima di utilizzare l'apparecchio.**

**Rimuovere tutti gli imballaggi e smaltirli presso un'appropriata struttura di riciclaggio.**

Non posizionare l'apparecchio subito sotto una presa di corrente fissa.

Alcune parti dell'involucro esterno dell'apparecchio sono considerate dal produttore superfici di lavoro che si scaldano all'accensione del riscaldatore. Utilizzare un parafuoco adeguato per proteggere bambini, anziani e malati.

Non utilizzare questo apparecchio nelle immediate vicinanze di una vasca da bagno, di una doccia, di una piscina o in altre aree in cui potrebbe venire a contatto con acqua o umidità, ad esempio la stanza da bagno.



### ATTENZIONE! NON COPRIRE

Non coprire l'apparecchio né ostruire la presa o l'uscita dell'aria, per evitare il surriscaldamento dell'apparecchio. Osservare il simbolo di avviso sull'apparecchio (vedere sopra).

**Solo per uso interno.** Questo apparecchio non è adatto all'uso in aree esterne alla casa.

Posizionare l'apparecchio su una superficie stabile, pulita e orizzontale. Non posizionare il crogiolo su un tappeto. Assicurarsi che mobili, tende e così via si trovino a non meno di 1 metro e che il crogiolo si trovi su una superficie in grado di resistere a temperature di 90 °C per periodi prolungati. Posizionare eventuali tappeti ad almeno 500 mm dalla parte anteriore della stufa.

Se il cavo dell'alimentazione elettrica deve passare attraverso un camino, un rivestimento in pietra e così via, assicurarsi che vengano installate delle protezioni di gomma nei possibili punti di usura.

Se installato in un camino aperto, chiudere la canna fumaria per ridurre il rischio di fiamma di ritorno che può causare la disattivazione del sistema di sicurezza.

Tenere il cavo di alimentazione lontano da superfici calde e condizioni di calore. Non posizionare il cavo di fronte all'apparecchio.

Una volta installato il caminetto, deve essere possibile accedere alla spina.

Se il cavo di alimentazione è danneggiato, non utilizzare l'apparecchio finché non viene sostituito. Per motivi di sicurezza, la sostituzione deve essere effettuata da un responsabile dell'assistenza Gazco o da un elettricista con una qualifica simile.

**ATTENZIONE:** Per evitare un pericolo dovuto al ripristino involontario dell'interruttore termico, questo apparecchio non

deve essere alimentato tramite un dispositivo di commutazione esterno, ad esempio un timer, o collegato a un circuito di comando accensione e spegnimento.

Non utilizzare l'apparecchio se danneggiato.

La riparazione delle apparecchiature elettroniche deve essere eseguita solo da un elettricista. In caso di mancato funzionamento dell'apparecchio o in caso di danni, contattare il rivenditore presso il quale è stato acquistato.

Questo apparecchio può essere utilizzato da bambini di età superiore a 8 anni e persone con ridotte capacità fisiche, sensoriali o mentali o mancanza di esperienza e conoscenza, solo se supervisionati o istruiti sull'uso dell'apparecchio in modo sicuro e se comprendono i rischi che corrono. I bambini non devono giocare con l'apparecchio.

La pulizia e la manutenzione dell'utente non devono essere eseguite da bambini senza supervisione.

I bambini di età inferiore ai 3 anni devono essere tenuti lontano a meno che non siano costantemente supervisionati.

I bambini di età compresa tra 3 anni e meno di 8 anni possono accendere/spegnere l'apparecchio solo se questo è stato collocato o installato nella normale posizione operativa prevista e se sono sorvegliati o istruiti sull'uso dell'apparecchio in modo sicuro e se comprendono i rischi che corrono. I bambini di età compresa tra 3 anni e meno di 8 anni non possono collegare, regolare, pulire l'apparecchio né eseguire interventi di manutenzione.

**Attenzione: alcune parti di questo prodotto possono diventare molto calde e causare ustioni. Particolare attenzione deve essere prestata dove sono presenti bambini e persone vulnerabili.**

**Tuttavia Gazco consiglia:**

**Questo elettrodomestico non è progettato per essere utilizzato da minori di 12 anni, da persone con capacità fisiche, sensoriali o mentali ridotte o da persone che non hanno l'esperienza o le conoscenze necessarie per mettere in funzione l'elettrodomestico in maniera sicura.**

Questo elettrodomestico può essere utilizzato da maggiori di 12 anni purché siano stati istruiti in merito all'utilizzo sicuro dell'elettrodomestico e comprendano i possibili rischi. I minori di 12 anni possono utilizzare questo elettrodomestico purché siano supervisionati da un adulto responsabile.

Alcune componenti di questo elettrodomestico diventano calde in seguito all'utilizzo e in nessun caso i minori di 12 anni devono essere lasciati da soli con il prodotto quando questo è in funzione, a meno che non venga utilizzato un parafuoco idoneo allo scopo di proteggerli dalla possibilità di entrare a diretto contatto con l'elettrodomestico.

I bambini non devono giocare con l'apparecchio.

La pulizia e la manutenzione dell'utente non devono essere eseguite da bambini senza supervisione.

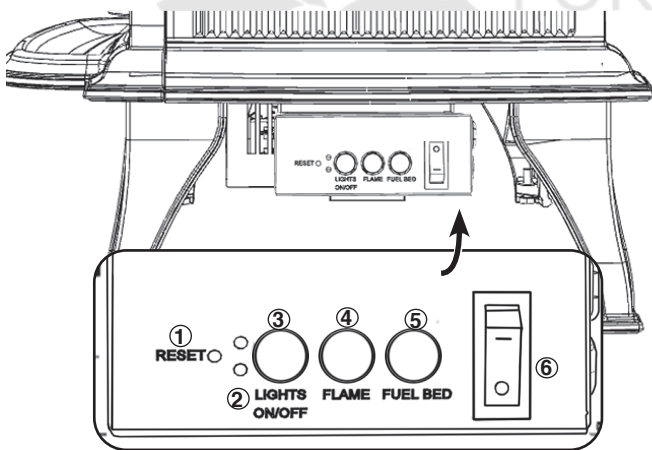
## ISTRUZIONI DI FUNZIONAMENTO



**ATTENZIONE!** Non utilizzare l'apparecchio se danneggiato o se non funziona correttamente. Se si sospetta che l'apparecchio sia danneggiato o che non abbia funzionato correttamente, contattare un tecnico dell'assistenza qualificato per far eseguire un'ispezione e sostituire le parti dell'impianto elettrico se necessario, prima di riutilizzarlo.

Non scollegare l'alimentazione alla rete elettrica mentre l'apparecchio è in funzione. Utilizzare le funzioni del telecomando per spegnere il fuoco e assicurarsi che l'interruttore di isolamento sia stato spostato in posizione di spegnimento prima di scollegarlo.

### PANNELLO COMANDO MANUALE



1. Pulsante di ripristino per telecomando
2. Indicatori funzionamento riscaldatore
3. Tutte le luci Pulsante On/Off
4. Il pulsante degli effetti fiamma
5. Crogiolo di combustione pulsante impostazione
6. Alimentazione di rete (On / Off) Interruttore

### ISTRUZIONI DI FUNZIONAMENTO

Premere 6 per **accendere/spegnere l'apparecchio**.



**NOTA:** Per utilizzare entrambe le funzioni remota e manuale, l'interruttore di accensione/spegnimento manuale deve essere in posizione "ON". Per evitare che il prodotto diventi troppo caldo, si verifica un ritardo di 10 secondi all'accensione del riscaldatore e un ritardo di 10 secondi quando si spegne la ventola del riscaldatore.

Il pulsante manuale controlla le funzioni di base, non una gamma completa di controlli. Utilizzare il telecomando per eseguire tutte le funzioni.

Premere 3 per **accendere/spegnere contemporaneamente le fiamme** e il crogiolo di combustione.

Premere 4 per selezionare il colore della fiamma o tornare alla posizione OFF (spento).

Sono disponibili 3 colori per la fiamma.

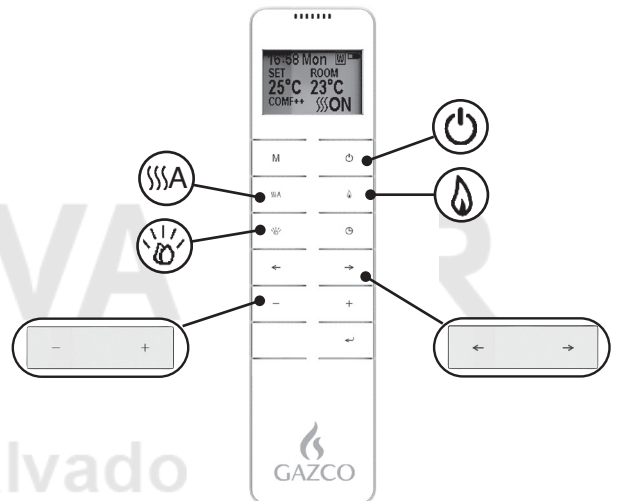
Premere 5 per selezionare il colore del crogiolo di combustione o per tornare alla posizione OFF (spento).

Sono disponibili 14 colori per il crogiolo di combustione.

**Nota:** L'apparecchio perderà la memoria per le funzioni di illuminazione quando l'interruttore è impostato su Off o si scaricano le batterie del telecomando.

### COMANDI A DISTANZA

Il telecomando deve essere lasciato su una superficie piana nella stanza in cui è installato l'apparecchio e lontano da qualsiasi flusso diretto di aria calda.



- Energia

- Riscaldamento

- Fiamma

- Crogiolo di combustione

- Opzioni di colore

- Livelli

### FUNZIONAMENTO DELL'APPARECCHIO - AVVIO RAPIDO



**Accendere/spegnere l'apparecchio**

L'apparecchio si avvierà all'ultima impostazione memorizzata.



**Accendere/spegnere il riscaldatore.**



- Aumentare o diminuire l'emissione di calore.

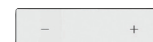


**Accendere/spegnere gli effetti fiamma.**



- Cambiare il colore.

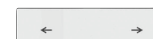
Sono disponibili 3 colori per la fiamma:



- Aumentare o diminuire il livello di luminosità.



**Accendere/spegnere l'effetto del crogiolo di combustione.**



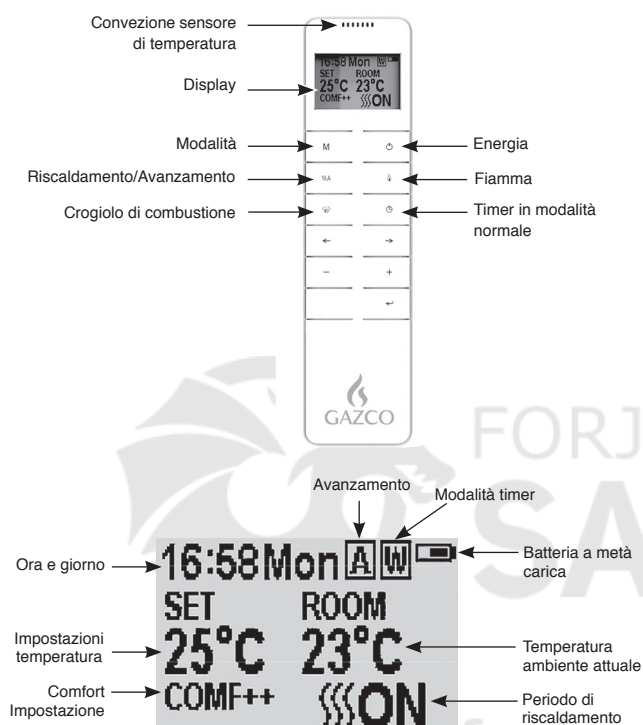
- Cambiare il colore.

Sono disponibili 14 colori per il crogiolo di combustione:



- Aumentare o diminuire il livello di luminosità.

## FUNZIONAMENTO DELL'APPARECCHIO - FUNZIONAMENTO AVANZATO



### ACCENSIONE / SPEGNIMENTO

Premere il pulsante per accendere l'effetto fiamma.

Premere il pulsante per disattivare tutte le funzioni nella normale modalità di controllo del riscaldamento, inclusi l'effetto fiamma ed il riscaldatore della ventola.

Premere il pulsante per disattivare l'effetto fiamma in modalità riscaldamento giornaliero e settimanale.

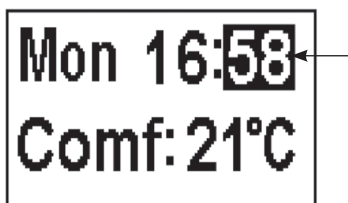
### GIORNI DELLA SETTIMANA/ORAZIONE/TEMPERATURA COMFORT E IMPOSTAZIONE UNITÀ

**Assicurarsi che l'orologio sia impostato all'ora corretta.**

Tenere premuto il **M** pulsante per 3 secondi per accedere alla schermata impostazioni.

Premere il pulsante '**<**' o '**>**' per scegliere l'impostazione da modificare.

Il carattere selezionato verrà evidenziato.



Premere il pulsante '**+**' o '**-**' per regolare il numero.  
Schema orario: sistema 24 ore.  
Selezionare una temperatura comfort da 15 a 25°C.  
Unità temperatura: °C/°F.

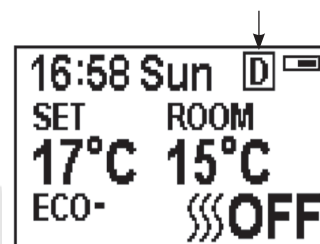
Premere il pulsante per 3 secondi o attendere 10 secondi per salvare e uscire dalla settimana, dall'ora e dall'impostazione della temperatura.

### TIMER GIORNALIERO RISCALDAMENTO

Sono stati preimpostati i seguenti periodi di riscaldamento, che possono essere modificati se lo si desidera:

dalle ore 06:00 alle 08:00  
dalle ore 17:00 alle 22:00

Premere **M** fino a visualizzare l'angolo in alto a destra dello schermo per accedere al timer giornaliero della modalità di riscaldamento.

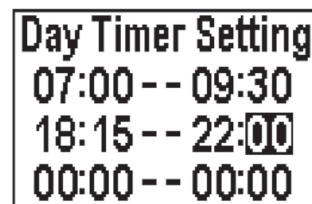


Tenere premuto il pulsante per 6 secondi per accedere all'impostazione riscaldamento giornaliero. È possibile impostare un massimo di 3 periodi di riscaldamento programmati al giorno.

Premere '**<**' o '**>**' per scegliere ore o minuti.

Premere '**+**' o '**-**' per regolare il numero.

Ad ogni pressione si ha un incremento/decremento di 15 minuti.



Premere il pulsante per 3 secondi o attendere 10 secondi per salvare e uscire dall'impostazione del periodo di riscaldamento.

Controllare l'impostazione del timer. Premere per controllare la modalità giornaliera del timer.

Se è necessario spegnere il riscaldamento, sarà necessario tornare alla modalità di controllo normale.

**Quando si spegne l'apparecchio mentre si trova in modalità timer giornaliero con il telecomando si interrompe l'emissione di luce. L'uscita di calore continuerà secondo le impostazioni del timer.**

### REGOLAZIONE DELLA TEMPERATURA IMPOSTATA

Premere il pulsante '**+**' o '**-**' per aumentare o diminuire la temperatura sulla base della temperatura COMF.

**COMF** indica che la temperatura effettiva corrisponde a quella dell'impostazione.

**ECO** significa che la temperatura attuale è inferiore di 2°C rispetto alla temperatura impostata.

**ECO-** significa 4°C in meno.


**COMF+** significa 2°C in più.

**COMF++** significa 4°C in più.

### CONTROLLO DI AVVIO ADATTIVO

In base alla temperatura ambiente e alla temperatura impostata, il riscaldatore determina automaticamente il tempo di riscaldamento appropriato per garantire che raggiunga la temperatura impostata nel tempo impostato (fino a 45 minuti prima del tempo impostato).

### REGOLAZIONE DEL COLORE DELLA FIAMMA

Premere il  pulsante per accedere alla schermata di regolazione della fiamma.

Ci sono 3 opzioni di colore della fiamma, indicate dal numero.

Ci sono 6 livelli di luminosità, incluso spento. Questo è indicato dalla barra, con la barra vuota che indica spegnimento.




Premere il pulsante '←' o '→' per scorrere ciclicamente le opzioni del colore della fiamma.

Premere il pulsante '+' per aumentare la luminosità della fiamma.

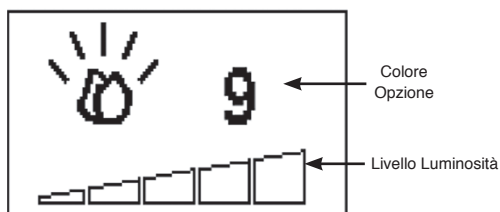
Premere il pulsante '-' per ridurre la luminosità della fiamma.

### REGOLAZIONE COLORE DEL CROGIOLO DI COMBUSTIONE

Premere il  pulsante per accedere alla schermata di regolazione luce crogiolo di combustione.

Ci sono 14 opzioni di colore crogiolo di combustione, indicate dal numero.

Ci sono 6 livelli di luminosità, incluso spento. Questo è indicato dalla barra, con la barra vuota che indica spegnimento.



Premere il pulsante '←' o '→' per scorrere ciclicamente le opzioni del colore del crogiolo di combustione.

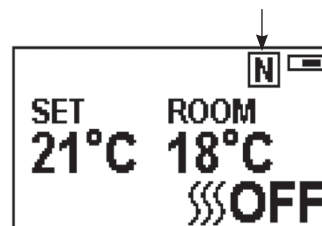
Premere il pulsante '+' per aumentare la luminosità del crogiolo di combustione.

Premere il pulsante '-' per ridurre la luminosità del crogiolo di combustione fino a spegnere.

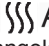
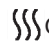

### MODALITÀ DI CONTROLLO NORMALE

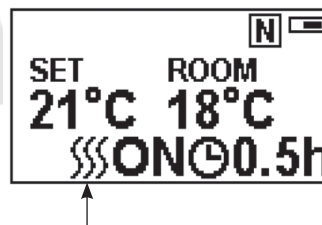
L'impostazione di default è la modalità di controllo normale.

In alternativa premere il pulsante **M** fino a visualizzare il **N** logo nell'angolo in alto a destra dello schermo.



Premere il pulsante '+' o '-' per regolare la temperatura impostata da 17 °C a 25°C.

Premere il pulsante  **A** per accendere/spegnere il riscaldamento, nell'angolo in basso a destra comparirà  **ON** o  **OFF**.




Nota: È normale che il termoventilatore smetta di funzionare per dei periodi di tempo. Ciò accade se la temperatura della stanza è superiore alla temperatura impostata sul controllo. L'indicatore del riscaldatore si spegne dopo 10 secondi se la fiamma è accesa. L'indicatore del riscaldatore rimarrà acceso se viene utilizzata solo la funzione di riscaldamento.

**Se si spegne l'apparecchio con il telecomando mentre si trova in modalità di controllo normale, si interrompe l'emissione di luce e di calore.**

### CONTO ALLA ROVESCIA

Questa impostazione è solo nella normale modalità di controllo del riscaldamento. Consente all'apparecchio di tornare in standby dopo un determinato periodo di tempo. Il riscaldatore deve essere acceso per utilizzare questa funzione.

Premere  per scorrere in modo ciclico tra le impostazioni a partire da Off e da 0,5 ore a 9 ore. Il logo del timer e il tempo rimanente verranno visualizzati sullo schermo.

Il riscaldatore dell'apparecchio può essere avviato automaticamente utilizzando il timer giornaliero e il timer settimanale sul telecomando.

### TIMER SETTIMANALE RISCALDAMENTO

Sono stati preimpostati i seguenti periodi di riscaldamento, che possono essere modificati se lo si desidera:

Da lunedì a venerdì  
dalle ore 06:00 alle 08:30  
dalle ore 17:00 alle 22:00

Da sabato a domenica  
dalle ore 06:30 alle 09:30  
dalle ore 11:00 alle 13:00  
dalle ore 17:00 alle 22:00

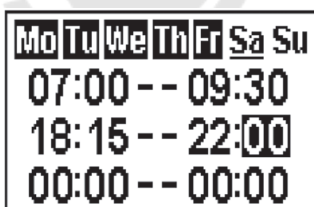
Premere **M** fino a **W** visualizzare l'angolo in alto a destra dello schermo per accedere al timer settimanale della modalità di riscaldamento.



Tenere premuto il **←** pulsante per 6 secondi per accedere all'impostazione timer settimanale riscaldamento.

Premere '**←**' o '**→**' per spostare il cursore (una sottolineatura lampeggiante).

Premere il pulsante **←** nella posizione della settimana corrispondente per selezionare (il carattere è evidenziato) o annullare (il carattere viene visualizzato normalmente) l'impostazione corrente, contemporaneamente può essere selezionato lo stesso periodo.



Premere il pulsante '**→**' per spostare il cursore sull'area di impostazione del periodo di tempo.

Premere '**←**' o '**→**' per scegliere ore o minuti.

Premere '**+**' o '**-**' per regolare il numero.

È possibile impostare un massimo di 3 periodi di riscaldamento programmati al giorno.

Ad ogni pressione si ha un incremento/decremento di 15 minuti.

Premere **←** per impostare il periodo di riscaldamento per il giorno selezionato e tornare alla riga della settimana.

Premere il pulsante **←** per 3 secondi o attendere 10 secondi per salvare e uscire dall'impostazione del periodo di riscaldamento.

Premere **←** '**←**' o '**→**' per controllare l'impostazione del timer per la modalità di riscaldamento del timer settimanale.

Se è necessario spegnere il riscaldamento, sarà necessario tornare alla modalità di controllo normale.

**Se si spegne l'apparecchio con il telecomando mentre si trova in modalità timer settimanale, si interrompe l'emissione di luce. L'uscita di calore continuerà secondo le impostazioni del timer.**

## REGOLAZIONE DELLA TEMPERATURA IMPOSTATA

Premere il pulsante '**+**' o '**-**' per aumentare o diminuire la temperatura sulla base della temperatura COMF.

**COMF** indica che la temperatura effettiva corrisponde a quella dell'impostazione.

**ECO** significa che la temperatura attuale è inferiore di 2°C rispetto alla temperatura impostata.

**ECO-** significa 4°C in meno.

**COMF+** significa 2°C in più.

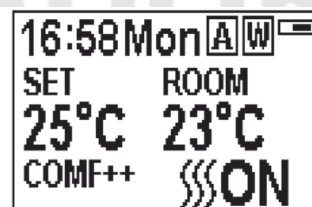
**COMF++** significa 4°C in più.

## CONTROLLO DI AVVIO ADATTIVO

In base alla temperatura ambiente e alla temperatura impostata, il riscaldatore determina automaticamente il tempo di riscaldamento appropriato per garantire che raggiunga la temperatura impostata nel tempo impostato (fino a 45 minuti prima del tempo impostato).

## MODALITÀ AVANZATA

Lo stato di riscaldamento può essere anticipato fino al periodo successivo sia in modalità riscaldamento giornaliero che settimanale.



Se il riscaldatore è acceso nel periodo corrente, premendo il pulsante si spegne il riscaldatore.

Se il riscaldatore è spento nel periodo corrente, premendo il pulsante si accende il riscaldatore.

Che il riscaldamento effettivo sia acceso/spento dipende anche dalla temperatura della stanza e dalla temperatura impostata.

Se si preme **SSSA** per accedere alla modalità avanzata in modalità di riscaldamento del timer giornaliero e settimanale, apparirà nell'angolo in alto a destra dello schermo **A**.

Premere **SSSA** di nuovo, altrimenti allo scadere del tempo del timer si uscirà dalla modalità avanzata.

## FINESTRA DI RILEVAMENTO APERTA

Quando il trasmettitore rileva un rapido calo della temperatura ambiente, verrà considerata come una finestra aperta: verrà visualizzata l'icona di avviso e il riscaldamento si spegnerà automaticamente.



Dopo l'aumento della temperatura interna o l'intervento manuale (azionando il telecomando), si tornerà al normale stato di funzionamento.

## DELL'APPARECCHIO - RISOLUZIONE DEI PROBLEMI

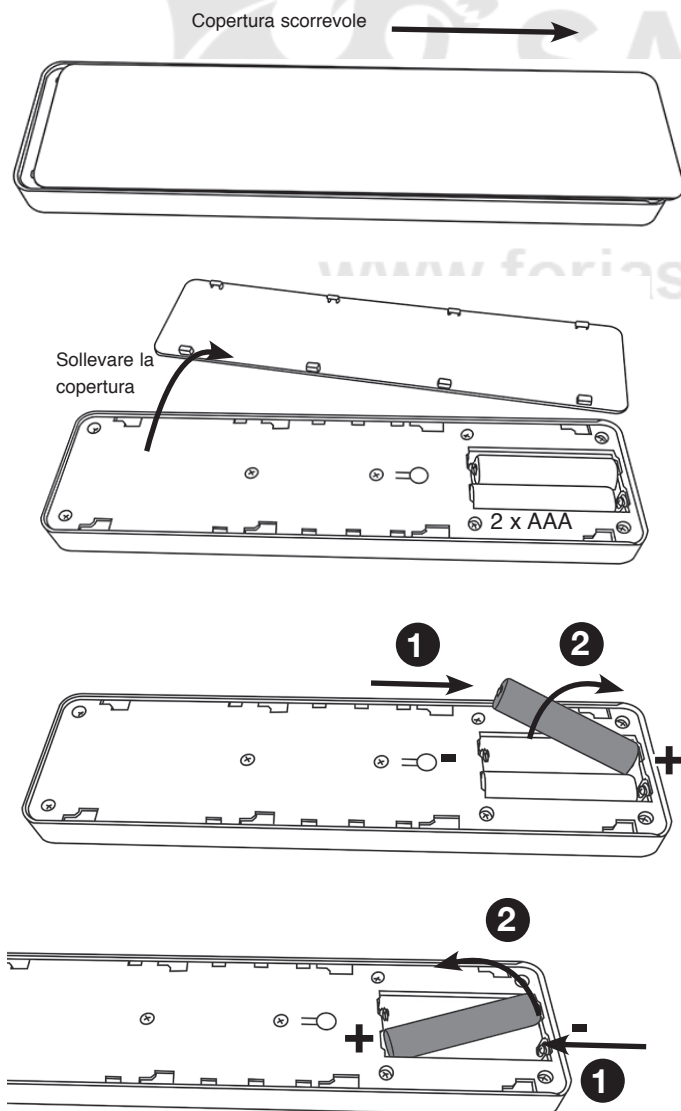
### PILA

Il livello di carica della batteria è indicato in alto a destra nella schermata del telecomando.

	Batteria carica	Nessuna azione richiesta
	Batteria a metà carica	Assicurarsi che siano disponibili nuove batterie.
	Batteria scarica	Sostituire immediatamente le batterie

### SOSTITUZIONE DELLA BATTERIA

Le batterie scariche devono essere rimosse dall'apparecchio e smaltite in modo sicuro.



Assicurarsi che le pile del telecomando siano nuove e correttamente inserite.  
Smaltire le pile vecchie presso una struttura di riciclaggio appropriata.

Si consiglia di sostituire le batterie dopo 1 anno. Il telecomando richiede due batterie AAA alcaline da 1,5 V.

Garantire la corretta polarità.  
Non cortocircuitare i terminali.

Non tentare di ricaricare batterie non ricaricabili.

Rimuovere le batterie ricaricabili prima di caricarle.

Non mischiare batterie vecchie e nuove.

Rimuovere le batterie se l'apparecchio non viene utilizzato per lunghi periodi.

**La modifica delle batterie non influirà sulle impostazioni della modalità del timer, tuttavia potrebbe essere necessario regolare l'orologio.**



**NOTA: Per utilizzare entrambe le funzioni remota e manuale, l'interruttore di accensione/spegnimento manuale deve essere in posizione "ON". Per evitare che il prodotto diventi troppo caldo, si verifica un ritardo di 10 secondi all'accensione del riscaldatore e un ritardo di 10 secondi quando si spegne la ventola del riscaldatore.**

**Il pulsante manuale controlla le funzioni di base, non una gamma completa di controlli. Utilizzare il telecomando per eseguire tutte le funzioni.**

### INDICATORI DI FUNZIONAMENTO DEL RISCALDATORE

Quando il termoventilatore viene utilizzato in combinazione con gli effetti della fiamma o del crogiolo di combustione, gli indicatori di funzionamento del riscaldatore si accendono per 10 secondi.

I LED si accendono per 10 secondi quando l'effetto fiamma o il crogiolo di combustione vengono accesi.

Se il termoventilatore viene utilizzato in modo indipendente, gli indicatori di funzionamento del riscaldatore rimangono accesi.

### PULSANTE DI RIPRISTINO PER TELECOMANDO

Se il telecomando perde il segnale o deve essere sostituito, per informazioni più dettagliate, consultare sezione manutenzione.

### CODICE DI SEGNALE

Il telecomando funziona tramite segnale radio.

Il trasmettitore manuale è configurato in fabbrica con un codice di segnale unico.

**IMPORTANTE: Se il telecomando perde il segnale o deve essere sostituito, per informazioni più dettagliate, consultare sezione manutenzione.**

## MANUTENZIONE



**IMPORTANTE: LA PANNELLATURA ESTERNA DI HUNTINGDON È REALIZZATA IN GHISA. PRESTARE ATTENZIONE DURANTE L'INSTALLAZIONE, LA RIMOZIONE E LA CONSERVAZIONE POICHÉ I COMPONENTI SONO PESANTI E DEVONO ESSERE MANEGGIATI CON CURA.**

**SCOLLEGARE SEMPRE DALLA RETE ELETTRICA PRIMA DI PULIRE O DI ESEGUIRE QUALSIASI TIPO DI MANUTENZIONE.**

### PULIZIA GENERALE

Pulire solo l'involucro esterno quando l'apparecchio è freddo. Non usare detergenti abrasivi.

### PULIZIA DELLE PARTI ANTERIORI

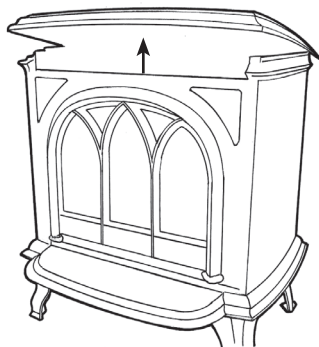
Passare un panno umido sul pannello in vetro e lucidare con un panno senza pelucchi.

**Attenzione: non utilizzare detergenti abrasivi sul pannello in vetro. Non spruzzare direttamente liquidi su nessuna superficie dell'unità.**

### PULIZIA DELL'EFFETTO COMBUSTIBILE

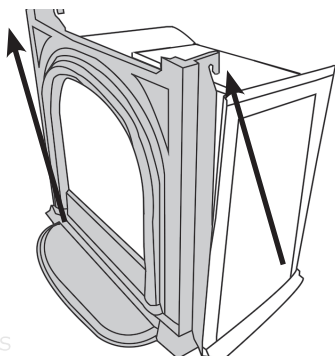
Per accedere all'effetto combustibile sarà necessario rimuovere il pannello in vetro.

Verificare che l'apparecchio sia scollegato.



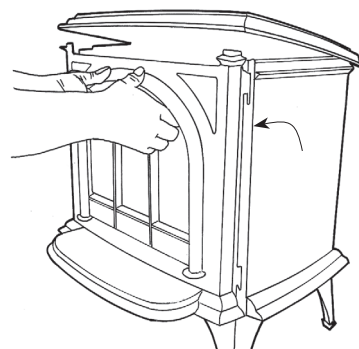
### HUNTINGDON 20 & 40

Sostenere la parte superiore della porta e in avanti do estrazione inferiore sollevando la parte anteriore verso l'alto ad un angolo di 45° fino a quando non è chiaro degli slot e tirare via dall'apparecchio, vedere la figura.

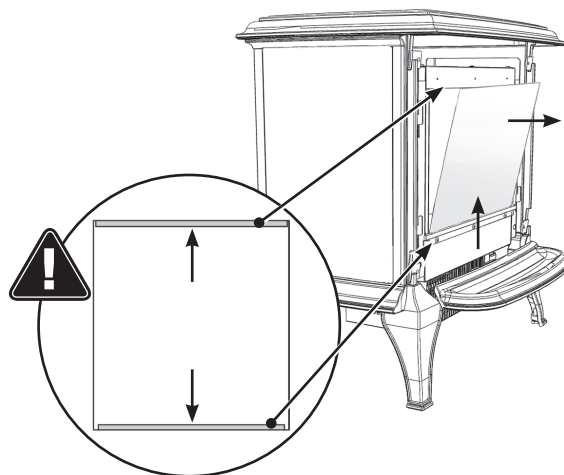
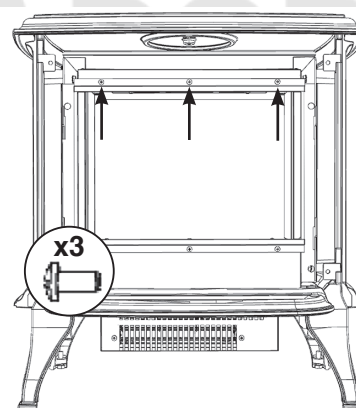


### HUNTINGDON 30

Sollevare la parte anteriore verso l'alto fino a quando non è chiaro degli slot e tirare fuori dall'apparecchio, vedere la figura.



### TUTTI I MODELLI



L'effetto combustibile è ora accessibile.

Rimuovere e lavare l'effetto combustibile per eliminare eventuali particelle di polvere. In alternativa pulire con un panno privo di lanugine.

Verificare che l'effetto sia asciutto prima della sostituzione.

**Sostituire l'effetto combustibile, vedere Istruzioni per l'installazione Sezione 4 per la disposizione.**

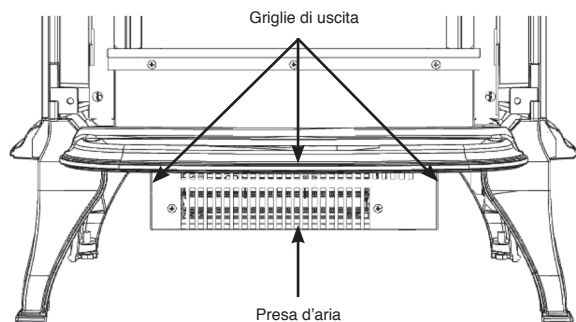
Sostituire seguendo l'ordine inverso.

## PULIZIA DELLE PRESE D'ARIA

Assicurarsi che l'apparecchio sia scollegato.

Pulire regolarmente la presa d'aria e le griglie di uscita con un panno morbido o con il becco dell'aspirapolvere.

Nota: pulire con regolarità le prese d'aria presenti fra le scatole esterne e interne.



**Gli accumuli di polvere possono impedire il corretto funzionamento della ventola e causare l'attivazione dell'interruttore di sicurezza.**

Tenere l'area intorno all'apparecchio pulita e libera da lanugine, polvere o peli di animali.

In particolare, è possibile che si formino degli accumuli di polvere, ecc. attorno all'area del riscaldatore in cima all'elettrodomestico. Prestare particolare attenzione a mantenere quest'area regolarmente libera da tali particelle per impedire gli accumuli.

## INSTALLAZIONE

### GENERALI

#### STRUMENTI NECESSARI

1 x Cacciavite.

#### DISIMBALLAGGIO DEL CAMINETTO

**ATTENZIONE! NON usare questo apparecchio se una parte qualsiasi è stata esposta all'acqua.**

Chiamare immediatamente un tecnico dell'assistenza qualificato per l'ispezione e la riparazione di qualsiasi parte dell'impianto elettrico, se necessario.

Aprire attentamente la confezione e rimuovere il polistirolo. Rimuovere e gettare la busta di plastica. Tenere l'involucro di plastica fuori dalla portata dei bambini. Prestare attenzione durante la manipolazione dei materiali di imballaggio.

Controllare che tutte le parti e gli accessori siano stati rimossi prima di gettare gli imballaggi. Se necessario, conservare la confezione originale per il trasporto e/o lo stoccaggio futuri.



**Questa apparecchiatura è molto pesante e non richiede alcun ancoraggio al camino o al pavimento. Tuttavia, in alcuni casi, l'apparecchiatura può risultare instabile, ad esempio quando ci si appoggia su di essa. In questa eventualità, fissare la stufa al camino o al pavimento con fissaggi sufficientemente forti.**

### COLLOCAMENTO DELL'APPARECCHIATURA

Il nuovo l'apparecchio può essere installato praticamente in qualsiasi punto della casa. Tuttavia, nella scelta della posizione, seguire le istruzioni generali.

Per i migliori risultati, installarlo lontano dalla luce solare diretta.

Se il cavo di alimentazione è danneggiato, contattare il proprio rivenditore Gazco per la sostituzione. Utilizzare solo ricambi originali Gazco sull'apparecchio.

L'apparecchio deve essere posizionato vicino a una presa elettrica adatta per consentire il collegamento.

La presa elettrica deve essere facilmente accessibile per consentire lo scollegamento una volta montato l'apparecchio.

Posizionare l'apparecchio su una superficie stabile, pulita e orizzontale. Non posizionare il crogiolo su un tappeto. Assicurarsi che mobili, tende e così via si trovino a non meno di 1 metro e che il crogiolo si trovi su una superficie in grado di resistere a temperature di 90 °C per periodi prolungati. Posizionare eventuali tappeti ad almeno 500 mm dalla parte anteriore della stufa.

Verificare che non siano presenti tende e mobili nelle vicinanze della posizione scelta, poiché ciò potrebbe causare rischi potenziali d'incendio o bloccare i condotti di uscita del riscaldatore.

**ATTENZIONE! TENERE QUALSIASI MATERIALE COMBUSTIBILE AD ALMENO 1 M DI DISTANZA DALLA PARTE ANTERIORE DEL CAMINETTO ELETTRICO.**

#### APERTURE DI TUTTI I FOCOLARI INGLENOOK:

Per tutti i modelli, le dimensioni richieste per un'installazione inglenook possono essere calcolate aggiungendo 225 mm all'altezza dell'apparecchio e 150 mm su ciascun lato. È necessario aggiungere altri 50 mm alla profondità per ottenere uno spazio adeguato dietro l'apparecchio.

### REQUISITI DI RIPARAZIONE



**DURANTE LA RIPARAZIONE DI QUESTO APPARECCHIO POTREBBE ESSERE NECESSARIO TAGLIARE LE FASCETTE DEI CAVI PER RAGGIUNGERE E TOGLIERE ALCUNE PARTI. QUESTE DEVONO ESSERE RIMESSE AL LORO POSTO QUANDO DI RIMONTA L'APPARECCHIO.**

**QUESTO APPARECCHIO DEVE ESSERE RIPARATO SOLO DA PERSONALE QUALIFICATO. PRIMA DI MANEGGIARE L'APPARECCHIO: SPEGNERE L'APPARECCHIO, ISOLARE L'ALIMENTAZIONE E ASSICURARSI CHE L'APPARECCHIO NON SIA ALIMENTATO DALLA CORRENTE.**

Attendere almeno 10 minuti, in modo da far raffreddare l'unità.

#### Sostituzione delle pile del telecomando

Sostituire con 2 x pila AAA. Assicurarsi che la pila sia correttamente installata nel telecomando.



**NOTA: il telecomando è dotato di indicatore di stato della batteria (angolo in alto a destra), dopo un periodo di inattività, lo schermo LED smetterà di funzionare anche se il telecomando resterà in grado di inviare comandi. Sostituire le batterie per ripristinare il display.**

#### Manutenzione dei motori

I motori utilizzati nella ventola e nell'effetto fiamma sono già lubrificati per aumentare la durata dei cuscinetti e non richiedono ulteriore lubrificazione. Tuttavia, si consiglia una pulizia/aspirazione periodica della ventola/riscaldatore.

#### Reimpostazione dell'interruttore termico di sicurezza

L'apparecchio è dotato di un controllo elettronico di sicurezza (E.S.), un dispositivo di sicurezza che spegne il caminetto se si surriscalda per qualsiasi motivo, ad esempio se viene coperto.

Se il riscaldatore smette di funzionare e l'effetto fiamma continua a funzionare, significa che il controllo E.S. si è attivato. Il controllo E.S. può essere reimpostato solo dopo che l'apparecchio si è raffreddato.

Per reimpostare il controllo E.S.:

Spegnere l'apparecchio (interruttore manuale On/Off) e lasciarlo raffreddare per circa 120 minuti.

Rimuovere eventuali ostruzioni dall'uscita del riscaldatore a ventola o da altre parti interne.

Accendere l'apparecchio e il controllo E.S. si reimposterà.

Assicurarsi che l'apparecchio funzioni correttamente. Se il controllo E.S. si riattiva, far controllare l'apparecchio da un elettricista qualificato.

## VIKTIG

**DELER AV DET YTRE KABINETTET AV DETTE APPARAT ER AV PRODUSENTEN ANSETT FOR Å VÆRE EN ARBEIDSOVERFLATE SOM BLIR VARM NÅR DEN ELEKTRISKE PEISEN SLÅS PÅ. DET ER DERFOR ANBEFALT AT EN BRANNVAKT OVERHOLDER BS 8423 (SISTE UTGAVE) BRUKES I NÆRVÆR AV SMÅ BARN, ELDRE ELLER BEVEGELSESHEMMEDE. RILLENE FORAN VARMEUTTAKET BLIR VELDIG VARME UNDER BRUK. IKKE DEKK TIL RILLENE ELLER NOEN ANNEN DEL AV APPARATET.**

Kun for bruk med 230 V 50Hz strømtilførsel.

Vennligst les disse instruksjonene nøye før bruk og oppbevar dem på et trygt sted. Det vil bli bruk for dem når det skal utføres service eller vedlikehold på enheten.

DENNE PEISEN MÅ TILKOBLES JORD

**DETTE PRODUKTET ER KUN EGNET FOR GODT ISOLERTE ROM OG SPORADISK BRUK.**

## VIKTIG INFORMASJON HELSE OG SIKKERHET

**Les alle instruksjonene nøye før du tar i bruk peisen.**

**Fjern all emballasje og sørg for å avhende emballasjen på en gjenvinningsstasjon.**

Ikke plasser denne peisen umiddelbart rett under et strømkontakt.

Deler av det ytre kabinettet av dette apparat er av produsenten ansett for å være en arbeidsoverflate som blir varm når den elektriske peisen slås på. Du må bruke egnet brannsikring for å beskytte barn, eldre og funksjonshemmede.

Ikke bruk peisen i nærheten av bad, dusj, svømmebasseng eller annet område der peisen kan komme i kontakt med vann eller fuktighet, f.eks. i baderom.



### ADVARSEL! IKKE DEKK TIL

Ikke la peisen bli tildekket eller la luftinntak-/avløp bli hindret da dette kan føre til overoppheting. Vennligst merk deg advarselssymbolet på peisen (se over).

**Kun for innendørs bruk.** Peisen er ikke egnet for bruk utenfor huset.

Dette apparatet må stå på en ren, jevn og fast overflate. Sett ikke peisen på et teppe. Pass på at møbler, gardiner og lignende ikke befinner seg nærmere enn 1 m og at peisen står på en overflate som kan tåle temperaturer på 90 °C for lengre perioder. Matter eller tepper må være minst 500 mm fra apparatets front.

Om strømledninger må passere gjennom en peis, steininnramming e.l. må det passes på at det monteres egnede gummihylser på mulige slitepunkter.

Ved installering i en åpen peis må pipen blendes av for å redusere faren for baktrekk som kan forårsake at sikkerhetsavstengingen løses ut.

Hold strømledningen unna varme overflater og varme generelt. Ikke legg strømledningen foran peisen.

Ved installering i en åpen peis må pipen blendes av for å redusere faren for baktrekk som kan forårsake at sikkerhetsavstengingen løses ut.

Dersom strømkabelen er ødelagt, må du ikke bruke peisen før du har byttet den. Av sikkerhetsmessige grunner bør dette arbeidet utføres av Gazco servicepersonell eller elektriker med godkjent kompetanse.

**ADVARSEL:** For å unngå en fare grunnet utilsiktet tilbakestilling av den termiske sikringsautomaten, må denne anordningen ikke få strømtilførsel via et eksternt bryter-apparat, slik som en tidsbryter. Den må heller ikke kobles til en krets som regelmessig skrus på og av strømforsyningen.

Ikke bruk peisen hvis den har fått skader.

Reparasjoner av elektriske apparater må bare gjøres av autoriserte teknikere. Dersom peisen ikke virker eller det er blitt ødelagt, vennligst kontakt forhandleren som solgte deg peisen.

Dette apparatet kan brukes av barn fra 8 år og oppover og av personer med redusert fysisk, sensorisk eller mentale evner, eller mangel på erfaring og kjennskap, dersom de er under tilsyn eller har blitt gitt instruksjoner om bruk av apparatet på en trygg måte og de forstår farene som er involvert. Barn skal ikke leke med apparatet.

Rengjøring og brukervedlikehold skal ikke utføres av barn uten tilsyn.

Barn under 3 år bør holdes unna med mindre de er kontinuerlig overvåket.

Barn i alderen mellom 3 og 8 år skal kun slå apparatet på/ av dersom det er plassert og montert i dens tiltenkte normale driftsposisjon og de er under tilsyn eller har blitt gitt instruksjoner om bruk av apparatet på en trygg måte og de forstår farene involvert. Barn i alderen mellom 3 og 8 år skal ikke plugge inn, justere og rengjøre apparatet eller utføre vedlikehold.

**Forsiktig: Noen deler av dette produktet kan bli veldig varme og forårsake forbrenning. Spesiell oppmerksomhet må gis der barn og sårbare mennesker er til stede.**

**Gazco anbefaler uansett:**

**Dette apparatet er ikke tiltenkt brukt av personer under 12 år, personer med nedsatt fysisk, sensorisk eller mental evne, eller personer som mangler erfaring og kjennskap til trygg betjening av apparatet.**

Apparatet kan betjenes av personer over 12 år forutsatt at de har fått instruksjon i trygg bruk av apparatet og at de forstår hvilke farer som er involvert. Personer over 12 år kan også betjene apparatet under tilsyn av en ansvarlig voksen person.

Deler av dette apparatet blir varme under drift og personer under 12 år må ikke under noen omstendigheter forlates alene med produktet når det er i drift med mindre det brukes et varmeskjold for å beskytte dem mot direkte kontakt med apparatet.

Barn skal ikke leke med apparatet.

Rengjøring og brukervedlikehold skal ikke utføres av barn uten tilsyn.

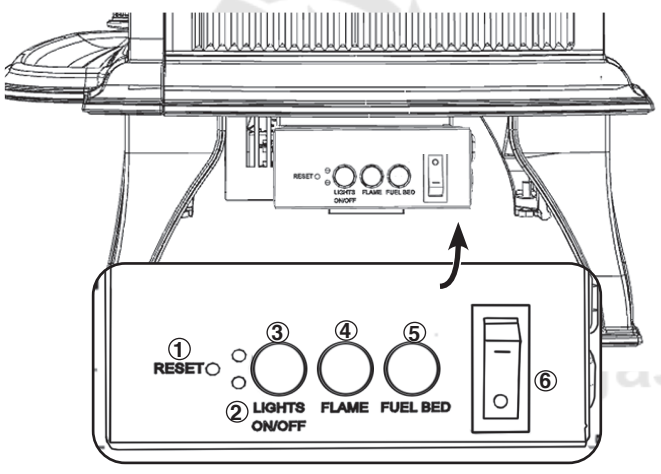
### BETJENINGSINSTRUKSER



**ADVARSEL!** Ikke bruk peisen hvis det har fått skader. Dersom du mistenker at peisen er ødelagt eller ikke fungerer som det skal, kontakt en godkjent tekniker for å inspisere peisen og, dersom nødvendig, bytt ut den aktuelle delen i det elektriske systemet før du bruker peisen igjen.

Strømtilførselen må ikke frakobles når peisen er På. Bruk funksjonene på fjernkontrollen for å slå av peisen og forsikre deg om at skillebryteren er satt i Av-stilling før strømmen frakobles.

### MANUELT KONTROLLPANEL



- 1. Tilbakestillingsknapp for fjernkontroll
- 2. Varmeapparat driftsindikatorer
- 3. Alle lys På/Av-knapp
- 4. Knapp for innstilling av flamme
- 5. Brennkammer innstillingsknapp
- 6. Strømnettet Av/På-bryter On/Off

### BETJENINGSINSTRUKSER

Trykk på 6 for å slå apparatet på/av.



**MERK:** For å bruke både fjernkontrollen og manuelle funksjoner må den manuelle på/av-bryteren stå i posisjon 'PÅ'. For å unngå at produktet blir for varmt, er det en 10 sekunders forsinkelse når du skruer på varmeapparatet, og en 10 sekunders forsinkelse når du skruer av vifteovnen.

Den manuelle knappen kontrollerer grunnleggende funksjoner, ikke en hel serie med kontroller. Bruk fjernkontrollen for å utføre alle funksjonene.

Trykk på 3 for å slå flammer og brennkammer på/av samtidig.

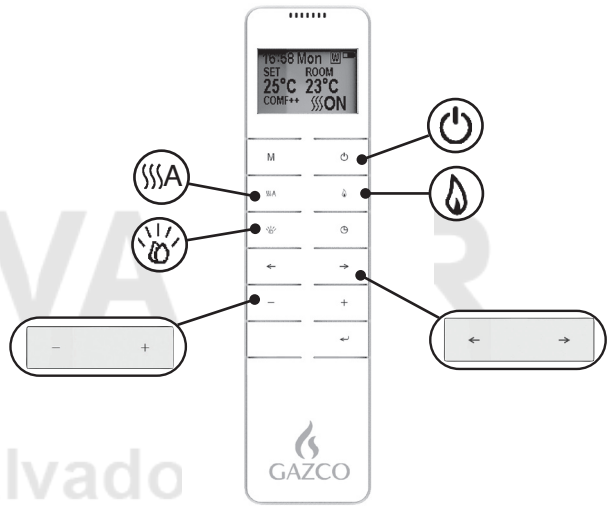
Trykk på 4 for å velge fargen på flammen eller gå tilbake til AV-posisjon. Det er 3 flammefargevalg.

Trykk på 5 for å velge fargen på brennkammeret eller gå tilbake til AV-posisjon. Det er 14 brennkammerfargevalg.

**Merk:** Apparatet vil miste minnet for lysfunksjonene når bryteren er satt i Av-posisjon eller fjernkontrollen går tom for strøm.

### FJERNKONTROLLER

Fjernkontrollen bør legges på et flatt underlag i rommet der apparatet er montert og vekk fra enhver direkte varmluftsstrøm.



- Strøm
- A - Oppvarming
- Flamme
- Brennkammer
- Alternativer farge
- Nivåer

### BETJENINGSINSTRUKSER - HURTIGSTART

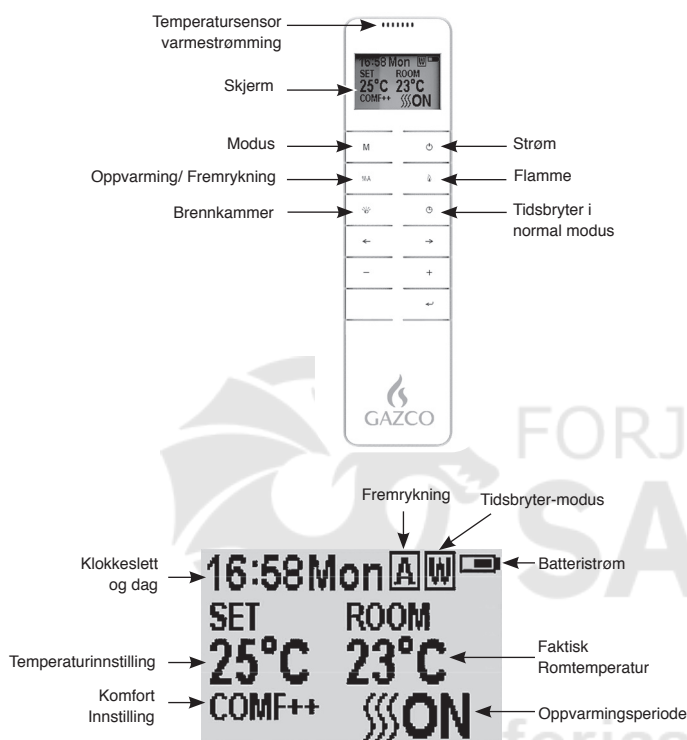
**Slå apparatet på/av**  
Apparatet vil starte på innstillingen som ble sist brukt.

A **Slå varmeapparatet på/av.**  
 - Øk eller reduser varmeeffekten.

**Slå flammeeffekten på/av.**  
 - Endre fargealternativet. Det er 3 flammefargevalg.  
 - Øk eller reduser lysstyrken.

**Slå brennkammereffekten på/av.**  
 - Endre fargealternativet. Det er 14 brennkammerfargevalg.  
 - IØk eller reduser lysstyrken.

## BETJENINGSINSTRUKSER - AVANSERT BRUK



### SKRU PÅ/AV

Trykk på knappen for å skru på flamme-effekten.

Trykk på knappen for å skru av alle funksjonene under normal varmekontroll-modus inkludert flamme-effekt og vifteovn.

Trykk på knappen for å skru av flamme-effekten under daglig og ukentlig tidsbryter-varmemodus.

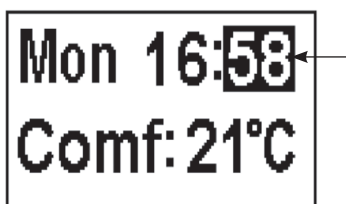
### UKEDAGER/ KLOKKELETT/ KOMFORTTEMPERATUR OG INNSTILLING AV ENHET

**Sørg for at klokken er riktig stilt.**

Hold **M** knappen inne i 3 sekunder for å gå inn i skjermbildet for innstillinger.

Trykk på knappen '←' eller '→' for å velge innstillingen som skal endres.

Det valgte tegnet vil fremheves.



Trykk på knappen '+' eller '-' for å justere tallet.

Klokkeslett: 24-timers system.  
Velg komforttemperatur fra 15-25°C.  
Temperatur-enhet: °C/°F.

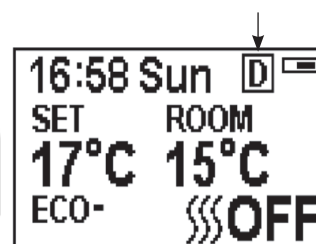
Trykk på knappen i 3 sekunder eller vent i 10 sekunder for å lagre og gå ut av innstillingen av uke, klokkeslett og oppvarmingstemperatur.

### DAGLIG TIDSINNSTILT OPPVARMING

De følgende oppvarmingsperiodene har blitt forhåndsinnstilt, og disse kan endres dersom det er ønskelig:

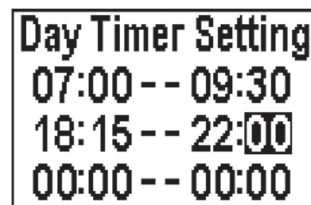
06:00 til 08.00  
17.00 til 22.00

Trykk på **M** inntil **D** vises i øvre høyre hjørne på skjermen for å gå inn i modusen for daglig tidsinnstilt oppvarming.



Hold knappen inne i 6 sekunder for å gå inn i innstillingen for daglig oppvarming.  
Maksimalt 3 tidsinnstilte oppvarmingsperioder kan stilles inn per dag.

Trykk på '←' eller '→' for å velge time eller minutter,  
Trykk på '+' eller '-' for å stille inn tallet.  
Minuttene øker / synker med 15 min per trykk.



Hold knappen inne i 3 sekunder eller vent i 10 sekunder for å lagre og gå ut av innstillingen av oppvarmings-tidsperiode.

Sjekk tidsinnstillingen. Trykk på for å sjekke modusen for daglig tidsinnstilling.

Dersom du vil skru av oppvarmingen, må du gå tilbake til normal kontrollmodus for å skru den av.

**Når den er i modus for daglig tidsinnstilling, vil det å skru apparatet av med fjernkontrollen føre til at lysproduksjonen stanser. Varmeproduksjonen vil fortsette i samsvar med tidsinnstillingen.**

## JUSTERING AV DEN INNSTILTE TEMPERATUREN

Trykk på knappen '+' eller '-' for å øke eller redusere temperaturen fra utgangspunktet COMF-temperatur.

**COMF** betyr at den faktiske temperaturen er det samme som innstillingen.

**ECO** betyr at den faktiske temperaturen er 2°C lavere enn den innstilte temperaturen.

**ECO-** betyr 4°C lavere.


**COMF+** betyr 2°C høyere.

**COMF++** betyr 4°C høyere.

## ADAPTIV STARTKONTROLL

I samsvar med romtemperatur og innstilt temperatur, vil varmeapparatet automatisk avgjøre den hensiktsmessige tiden det vil ta å varme opp, for å sørge for at den når den innstilte temperaturen i den innstilte tiden (opptil 45 minutter før det innstilte klokkeslettet).

## JUSTERING AV FLAMMEFARGE

Trykk på  knappen for å gå inn i skjermbildet for flammestyring.

Det er 3 alternativer for flammefarge, indikert av nummeret.

Det er 6 nivå av lysstyrke, inkludert av. Dette er indikert av streken, og den tomme streken indikerer av.




Trykk på knappen '<' eller '>' for å gå gjennom alternativene for flammefarge.

Trykk på knappen '+' for å øke flammens lysstyrke.

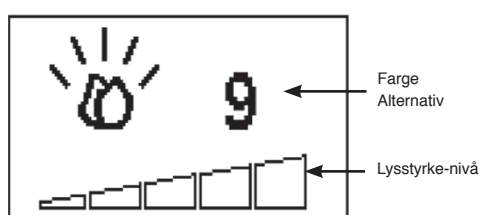
Trykk på knappen '-' for å redusere flammens lysstyrke inntil den går av.

## JUSTERING AV BRENNKAMMER-FARGE

Trykk på  for å gå inn i skjermbildet for lysjustering av brennkammeret.

Det er 14 alternativer for brennkammerfarge, indikert av nummeret vist i diagram.

Det er 6 nivå av lysstyrke, inkludert av. Dette er indikert av streken, og den tomme streken indikerer av.



Trykk på knappen '<' eller '>' for å gå gjennom alternativene for brennkammerfarge.

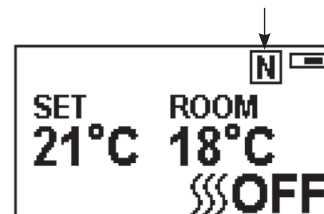
Trykk på knappen '+' for å øke brennkammerets lysstyrke.

Trykk på knappen '-' for å redusere brennkammerets lysstyrke inntil den går av.


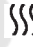

## NORMAL KONTROLLMODUS

Normal kontrollmodus er default-innstilling.

Alternativt kan du trykke på **M** knappen inntil **N** logoen vises øverst til høyre på skjermen.



Trykk på knappen '+' eller '-' for å justere temperaturinnstillingen fra 17 °C til 25°C.

Trykk på knappen  **A** for å skru varmen på/av,  **PÅ** eller  **AV** vil vises nederst i høyre hjørne på skjermen.




Merk: Den er normalt at vifteovnen stanser i tidsperioder. Dette skjer dersom romtemperaturen er høyere enn temperaturen stilt inn på kontrollen.

Varmeapparatets indikator vil skrus av etter 10 sekunder dersom flammen er skrudd **PÅ**. Varmeapparatets indikator vil forbli **PÅ** dersom kun varmefunksjonen brukes.

**Når den er i normal kontrollmodus, vil det å skru av apparatet med fjernkontrollen føre til at både lysproduksjonen og varmeproduksjonen stanser.**

## NEDTELLING TIDSBRYTER

Denne innstillingen er kun i normal oppvarming kontrollmodus. Den gjør at apparatet kan gå tilbake i hvilemodus etter en innstilt tidsperiode. Varmeapparatet må skrus på for å bruke denne funksjonen.

Trykk på  for å gå gjennom innstillingen fra Av og 0,5 timer til 9 timer. Tidsbryterens logo og gjenværende tid vil vises på skjermen.

Apparatets varmeenhet kan drives automatisk ved å bruke daglig tidsinnstilling og ukentlig tidsinnstilling på fjernkontrollen.

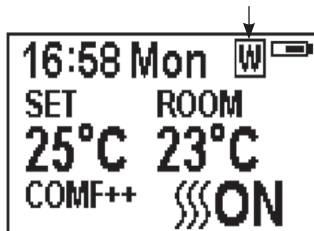
## UKE TIDSINNSTILT OPPVARMING

De følgende oppvarmingsperiodene har blitt forhåndsinnstilt, og disse kan endres dersom det er ønskelig:

Fra mandag til fredag  
06:00 til 08:30  
17.00 til 22.00

Fra lørdag til søndag  
06.30 til 09.30  
11.00 til 13.00  
17.00 til 22.00

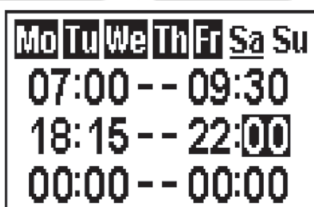
Trykk på **M** inntil vises i øvre høyre hjørne på skjermen for å gå inn i modusen for uke tidsinnstilt oppvarming.



Hold knappen inne i 6 sekunder for å gå inn i innstillingen for uke oppvarming.

Trykk på '' eller '' for å flytte markøren (en blinkende understrekning).

Trykk på knappen på den tilhørende uke-posisjonen for å velge (karakteren blir markert) eller avbryte (karakteren vises normalt) den inneværende innstillingen, den samme tidsperioden kan velges sammen.



Trykk på knappen '' for å flytte markøren til innstillingsområdet for tidsperiode.

Trykk på '' eller '' for å velge time eller minutter.

Trykk på '+' eller '-' for å stille inn tallet.

Maksimalt 3 tidsinnstilte oppvarmingsperioder kan stilles inn per dag.

Minuttene øker / synker med 15 min per trykk.

Trykk på for å stille inn oppvarmingstid for den valgte dagen og gå tilbake til ukelinjen.

Hold knappen inne i 3 sekunder eller vent i 10 sekunder for å lagre og gå ut av innstillingen av oppvarmings-tidsperiode.

Trykk på '' eller '' for å sjekke tidsinnstillingen for uke tidsinnstilt oppvarming.

Dersom du vil skru av oppvarmingen, må du gå tilbake til normal kontrollmodus for å skru den av.

**Når den er i modus for uke tidsinnstilling, vil det å skru av apparatet med fjernkontrollen føre til at lysproduksjonen stanser. Varmeproduksjonen vil fortsette i samsvar med tidsinnstillingen.**

#### JUSTERING AV DEN INNSTILTE TEMPERATUREN

Trykk på knappen '+' eller '-' for å øke eller redusere temperaturen fra utgangspunktet COMF-temperatur.

**COMF** betyr at den faktiske temperaturen er det samme som innstillingen.

**ECO** betyr at den faktiske temperaturen er 2°C lavere enn den innstilte temperaturen.

**ECO-** betyr 4°C lavere.

**COMF+** betyr 2°C høyere.

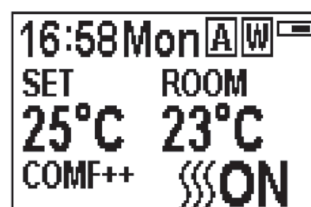
**COMF++** betyr 4°C høyere.

#### ADAPTIV STARTKONTROLL

I samsvar med romtemperatur og innstilt temperatur, vil varmeapparatet automatisk avgjøre den hensiktsmessige tiden det vil ta å varme opp, for å sørge for at den når den innstilte temperaturen i den innstilte tiden (opptil 45 minutter før det innstilte klokkeslettet).

#### FREMRYKNINGS-MODUS

Oppvarmings-tilstanden kan rykke frem til neste periode, og dette er under både daglig og uke tidsinnstilt oppvarming.



Dersom varmeapparatet er på i den inneværende perioden, vil det å trykke på knappen skru varmeapparatet av.

Dersom varmeapparatet er av i den inneværende perioden, vil det å trykke på knappen skru varmeapparatet på.

Hvorvidt den faktiske oppvarmingen er på/av avhenger også av romtemperaturen og den innstilte temperaturen.

Trykk på for å gå inn i Fremryknings-modus under daglig og uke tidsinnstilt oppvarming, vil vises øverst i høyre hjørne på skjermen.

Trykk på en gang til eller så vil tidsperioden slutte og gå ut av Fremryknings-modus.

#### PÅVISNING AV ÅPNE VINDUER

Når senderen oppdager et raskt fall av romtemperaturen, vil dette oppfattes som et åpent vindu: varsel-ikonet vil vises og oppvarmingen vil automatisk skrues av.



Etter at innendørstemperaturen stiger eller etter manuelt inngrep (ved å bruke fjernkontrollen), vil det gå tilbake til normal driftsstatus.

#### BETJENINGSINSTRUKSER - FEILSØKING

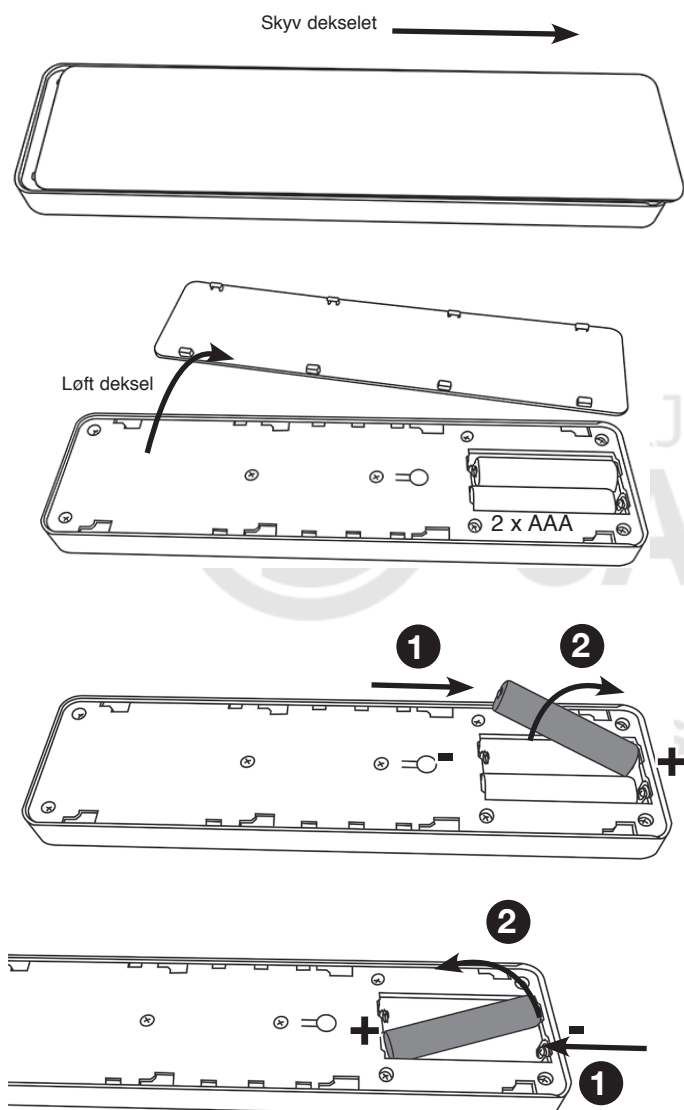
##### BATTERI

Batteriets strømnivå indikeres øverst til høyre på fjernkontrollens skjerm bilde.

	Batteri fullt	Ingen handling kreves
	Batteri halvfullt	Sørg for at nye batterier er tilgjengelige.
	Batteri tomt	Skift ut batterier umiddelbart

## UTSKIFTING AV BATTERI

Ubrukte batterier skal tas ut av apparatet og kastes på en sikker måte.



Forsikre deg om at batteriet i fjernkontrollen er nytt og er satt i korrekt.

Gamle batterier må kasseres på godkjent gjenvinningsstasjon.

Utskifting av batterier er anbefalt etter 1 år. Fjernkontrollen bruker 1.5V alkaliske AAA batterier.

Sørg for riktig polaritet.  
Ikke kortslut terminalene.

Ikke prøv å lade opp ikke-oppladbare batterier.

Ta ut oppladbare batterier før du lader den.

Ikke bland gamle og nye batterier.

Ta ut batteriene hvis apparatet ikke skal brukes i lange perioder.  
**Å skifte ut batteriene vil ikke påvirke innstillingene av tidsbryter-modus, men det kan hende at klokken må stilles.**



**MERK:** For å bruke både fjernkontrollen og manuelle funksjoner må den manuelle på/av-bryteren stå i posisjon 'PÅ'. For å unngå at produktet blir for varmt, er det en 10 sekunders forsinkelse når du skrur på varmeapparatet, og en 10 sekunders forsinkelse når du skrur av vifteovnen.

Den manuelle knappen kontrollerer grunnleggende funksjoner, ikke en hel serie med kontroller. Bruk fjernkontrollen for å utføre alle funksjonene.

## VARMEAPPARAT DRIFTSINDIKATORER

Når vifteovnen brukes sammen med flamme- eller brennkammer-effekt vil varmeapparatets driftsindikatorer lyse opp i 10 sekunder.

LED-lampene vil lyse i 10 sekunder dersom flamme- eller brennkammer-effekt er På.

Dersom vifteovnen brukes uavhengig, vil varmeapparatets driftsindikatorer forbli på.

## TILBAKESTILLINGSKNAPP FOR FJERNKONTROLL

Dersom håndkontrollen mister signal eller behøves å skiftes ut, se vedlikeholdsavsnittet for mer detaljer.

## SIGNALKODE

Fjernkontrollen virker via radiosignal.

Den håndholdte senderen er konfigurert på fabrikken med en unik signalkode.

**VIKTIG:** Dersom håndkontrollen mister signal eller behøves å skiftes ut, se vedlikeholdsavsnittet for mer detaljer.

## RENGJØRING



**VIKTIG:** DEN YTRE KLEDNINGEN AV HUNTINGDON ER LAGET I STØPEJERN. VÆR FORSIKTIG MENS MAN INSTALLERER, FJERNER OG LAGRER DA KOMPONENTENE ER TUNGE OG BØR HÅNTERES MED FORSIKTIGHET.

**TA ALLTID STØPSLET UT AV STRØMKONTAKTEN FØR DU GJØR RENT ELLER UTFØRER NOEN FORMER FOR VEDLIKEHOLD.**

## GENERELL RENGJØRING

Du må bare rengjøre det ytre kabinettet når det er kaldt. Ikke bruk rengjøringsmidler med slipemiddel.

## RENGJØRING AV FRONTER

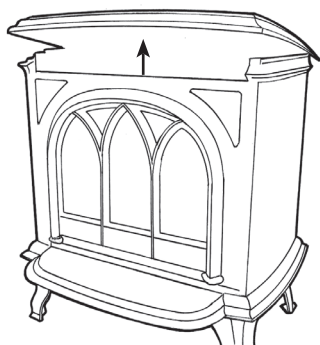
Tørk av glasspanelet med en fuktig klut og poler med en lufri støvfiller.

**Forsiktig! Ikke bruk rengjøringsmidler med slipemiddel på glasspanelet. Ikke sprut væske direkte på noen av overflatene på enheten.**

## RENGJØRING AV BRENSELEFFEKTER

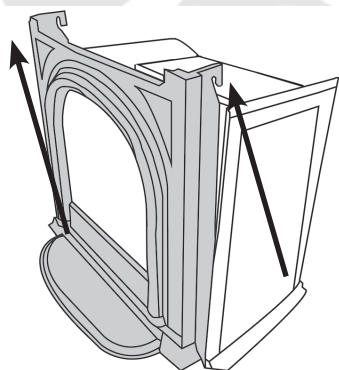
For å komme til brenseleffekten er det nødvendig å fjerne glasspanelet.

Påse at apparatet er dratt ut av stikkontakten.



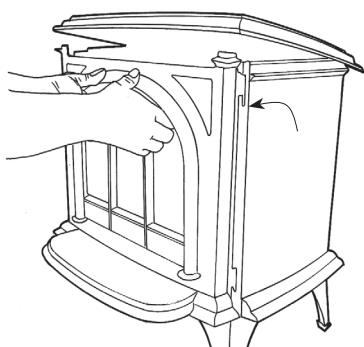
### HUNTINGDON 20 & 40

Støtte døren topp- og bunn pull forover mens du løfter fronten oppover i 45° graders vinkel før det er klart av sporene og dra vekk fra apparatet, se figur.

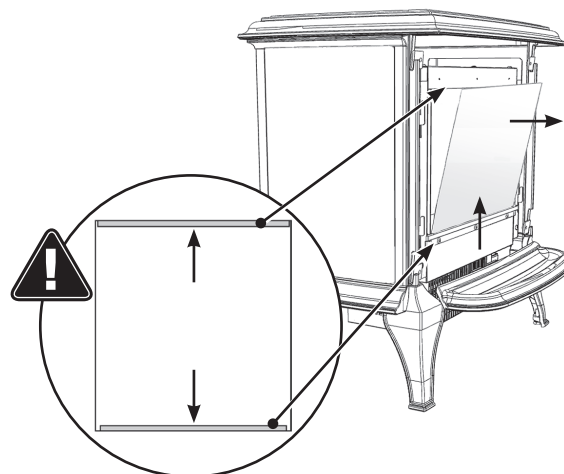
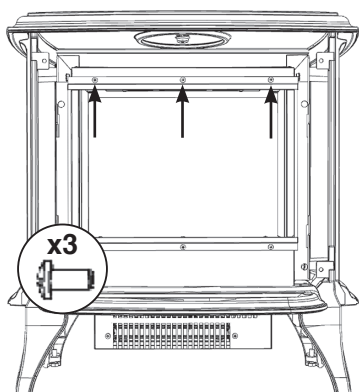


### HUNTINGDON 30

Løft fronten oppover til det er klart av sporene og dra vekk fra apparatet, se figur.



### ALLE MODELLER



Du kan nå komme til brenseleffekten.

Fjern og rengjør brenseleffekten for å fjerne alle støvpartikler. Eller rengjør med en løfri støvfille.  
Påse at effekten er tørr før den settes tilbake.

Erstatt brenseleffekten se Monteringsveiledning avsnitt 5 for layout.

Sett tilbake i omvendt rekkefølge.

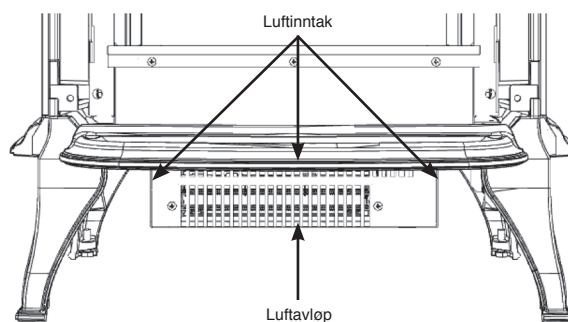
### RENGJØRING AV LUFTINTAK

Forsikre deg om at støpslet til peisen er tatt ut av strømkontakten.

Fjern sokkelen eller åpne døren, fjern støpetoppen og støperammen.

Rengjør ristene ved inntaket og avløpet jevnlig med en myk klut eller munnstykket på en støvsuge.

Merk: Det er luftinntak som er plassert mellom de indre og ytre boksene, forsikre deg om at disse rengjøres regelmessig.



**Oppsamlet støv kan hindre effektiv ytelse på viften og føre til aktivering av termisk sikringsautoma.**

Hold området rundt peisen rent og fritt for lo, støv eller hår fra kjæledyr.

Opphopning av støv og lignende kan særlig oppstå rundt varmeområdet på toppen av apparatet. Vær spesielt nøye med å holde dette området fritt for slike partikler, rengjør jevnlig for å hindre oppsamling.

## INSTALLASJON

### GENERELL INFORMASJON

#### NØDVENDIG VERKTØY

1 x Skrutrekker

#### UTPAKKING AV DEN ELEKTRISKE PEISEN

**ADVARSEL! IKKE bruk denne peisen hvis noen del har vært utsatt for vann.**

Kontakt en kvalifisert tekniker umiddelbart for å inspisere og bytte ut aktuelle deler av det elektriske anlegget dersom det er nødvendig.

Åpne innpakningen forsiktig, og fjern polystyrenet. Ta av plastposen og kast den. Hold plastemballasjen unna barn. Behandle emballasjematerialet på en ansvarlig måte.

Sjekk at alle deler og alt tilbehør er tatt ut før du kvitter deg med emballasjen.

Om nødvendig kan du beholde originalemballasjen for fremtidig transport og/eller lagring.



**Dette apparatet er tungt og krever ikke fastmontering i bakken eller gulvet, men apparatet kan i gitte omstendigheter bli ustabil; f.eks. om noen lener seg på apparatet. Hvis dette er sannsynlig bør du feste apparatet til bakken eller gulvet med passende festemidler.**

### PLASSERING AV APPARATET

Din nye apparatet faktisk installeres hvor som helst i hjemmet ditt. Når du velger plassering, er det imidlertid viktig at generelle instruksjoner følges.

For best resultat, installer vekk fra direkte sollys.

Dersom strømledningen er ødelagt, må den repareres av produsenten, en autorisert forhandler eller en fagmann.

Peisen bør plasseres nært en egnet strømkontakt. Strømkontakten skal være lett tilgjengelig slik at strømmen kan kobles fra når peisen er montert.

Dette apparatet må stå på en ren, jevn og fast overflate. Sett ikke peisen på et teppe. Pass på at møbler, gardiner og lignende ikke befinner seg nærmere enn 1 m og at peisen står på en overflate som kan tåle temperaturer på 90 °C for lengre perioder. Matter eller tepper må være minst 500 mm fra apparatets front.

Sikre at gardiner og møbler ikke er plassert i nærheten av den valgte posisjonen, da dette vil skape en mulig brannfare eller blokkere varmekanalene til varmeovnen.

**ADVARSEL! HOLD ALLE TYPER BRENNBARE MATERIALER MINST 1M UNNA FRONTEN PÅ DEN ELEKTRISKE PEISEN.**

### ALLE INGLENOOK PEISÅPNINGER

For all modeller kan nødvendige dimensjoner for en Inglenookinstallasjon regnes ut ved å legge 225 mm til høyden på apparatet og 150 mm til hver side. Ytterligere 50 mm må legges til dybden for å gi tilstrekkelig rom bak apparatet.

### SERVICEKRAV



**UNDER VEDLIKEHOLD AV DETTE APPARATET KAN DET VÆRE NØDVENDIG Å KUTTE BUNTEBÅND FOR Å KOMME TIL OG FJERNE NOEN DELER. DISSE MÅ ERSTATTES NÅR APPARATET SETTES SAMMEN IGJEN.**

**KUN KVALIFISER PERSONELL MÅ UTFØRE VEDLIKEHOLD PÅ DENNE PEISEN. FØR DET GJØRES ARBEID PÅ APPARATET: SLÅ AV APPARATET OG TA UT STRØMFORSYNINGEN SLIK AT DET IKKE FINNES NOE STRØM TIL APPARATET.**

Vent minst 10 minutter til peisen har kjølt seg ned.

#### Bytte av batteri på fjernkontroll

Bytt ut med et AAA-batteri. Forsikre deg om at batteriet er montert korrekt i fjernkontrollen.



**MERK: Fjernkontrollen har en batteristatusindikator (øverst i høyre hjørne). Etter en lengre periode med tom visning, vil LED-skjermen slutte å fungere til tross for at håndsettet fremdeles kan sende kommandoer Erstatt batteriet for å gjenopprette displayet.**

#### Vedlikehold av motorer

Motoren til viften og flammeeffekten er forhåndssmurt for å forlenge lagrenes levetid og trenger derfor ikke smøres. Periodisk rengjøring/støvsuging av viften/peisen anbefales imidlertid.

#### Tilbakestilling av termisk sikringsautomat

Peisen er utstyrt med en elektronisk sikkerhetskontroll (E.S.). Dette er en sikkerhetsanordning som slår av flammen dersom peisen av en eller annen grunn blir overopphetet, f.eks. ved tildekking.

Dersom peisen slutter å fungere mens flammeeffekten fortsetter som normalt, betyr det at E.S.-kontrollen er i drift. E.S.-kontrollen kan bare tilbakestilles etter at peisen er nedkjølt.

Tilbakestill E.S.:

Slå av peisen (med den manuelle Av/På-bryteren) og la peisen stå i 120 minutter.

Fjern eventuelle hindringer i avløpet for viftevarmeren eller andre indre deler.

Slå på peisen, og E.S.-kontrollen vil tilbakestilles. Forsikre deg om at peisen fungerer korrekt. Dersom E.S.-kontrollen slår inn igjen, bør peisen sjekkes av en fagkyndig elektriker.

## IMPORTANTE

**EL EXTERIOR, FRONTAL Y PANEL DE CRISTAL DEL APARATO ESTÁ EXTREMADAMENTE CALIENTE DURANTE SU FUNCIONAMIENTO Y PUEDE PROVOCAR HERIDAS GRAVES Y QUEMADURAS SI SE ENTRA EN CONTACTO. SE RECOMIENDA POR LO TANTO QUE SE UTILICE UN PROTECTOR QUE CUMPLA CON LA NORMA BS 8423:2002 CUANDO HAYA NIÑOS, ANCIANOS O ENFERMOS PRESENTES.**

Para uso con 230V 50 Hz únicamente.

Leer las presentes instrucciones antes de la instalación y guardarlas cuidadosamente en lugar seguro. Serán necesarias en el momento de hacer el mantenimiento.

Este aparato requiere toma a tierra.

**Este producto está indicado únicamente en lugares abrigados o para una utilización puntual.**

## INFORMACIÓN IMPORTANTE Y SALUD Y SEGURIDAD

**Antes de utilizar el aparato lea atentamente todas las instrucciones.**

**Proceda a reciclar todo el embalaje.**

No coloque este aparato inmediatamente por debajo de una toma de corriente fija.

No utilizar el aparato en las inmediaciones de un cuarto de baño, ducha o piscina o en zonas en las que el aparato puede estar en contacto con agua o humedad.



**¡ADVERTENCIA! NO LO CUBRA**

No cubrir ni tapar el aparato, deje circular el aire en su entorno. Observe el símbolo de advertencia sobre el aparato (véalo arriba).

**Este aparato está destinado para uso en el interior y no es adecuado para ser utilizado en el exterior.**

Mantenga el enchufe alejado de superficies calientes. No conecte el cable de señal en frente del aparato.

El dispositivo debe situarse en una superficie firme, plana y limpia. No sitúe la unidad sobre una alfombra. Asegúrese de que los muebles y las cortinas (y demás elementos) se sitúan a una distancia no inferior a 1 metro de la unidad, y de que esta se coloca en una superficie que puede ser expuesta a temperaturas de hasta 90 °C durante intervalos prolongados de tiempo. No coloque alfombras a distancias inferiores a 500 mm de la parte frontal del dispositivo.

Una vez instalado el aparato, el enchufe debe quedar accesible.

Si el cable ha de pasar por chimeneas, estar empotrado, etc. Debe asegurarse que éste esté debidamente protegido.

Si el cable eléctrico está dañado no utilice el aparato hasta su reemplazo. Por razones de seguridad el reemplazo ha de ser realizado por Gazco o el servicio técnico de Gazco o un electricista cualificado.

**PRECAUCIÓN:** Con el fin de evitar un riesgo debido a un reajuste inadvertido del interruptor térmico, este aparato no se debe suministrar a través de un dispositivo de conmutación externo, como un temporizador, o conectado a un circuito que el servicio público encienda y apague regularmente.

No utilizar el aparato en el supuesto de estar averiado o dañado.

Las posibles reparaciones deben ser efectuadas siempre por persona debidamente autorizada y cualificada. Si el aparato no funciona, o en caso de cualquier daño, por favor póngase en contacto con el distribuidor donde adquirió el producto.

Este aparato puede ser utilizado por niños mayores de 8 años y personas con capacidades físicas, sensoriales o mentales reducidas o que carezcan de experiencia y conocimientos, siempre que estén vigilados o que se les haya indicado cómo utilizar el aparato de forma segura y que entiendan los riesgos asociados. Los niños no deben jugar con el aparato. Los niños no deben realizar la limpieza y el mantenimiento del usuario sin supervisión.

Los niños menores de 3 años deben mantenerse alejados a menos que sean supervisados continuamente.

Los niños de 3 a 8 años solo deben encender/apagar el aparato siempre que esté colocado o instalado en la posición de funcionamiento normal y que estén vigilados o que se les haya indicado cómo utilizar el aparato de forma segura y que entiendan los riesgos asociados. Los niños de 3 a 8 años no deben enchufar, regular y limpiar el aparato ni realizar las tareas de mantenimiento.

**Precaución: Algunas partes de este producto pueden calentarse mucho y causar quemaduras. Se debe prestar especial atención cuando hay niños y personas vulnerables.**

**Sin embargo, Gazco recomienda:**

**Este aparato no está destinado a ser utilizado por personas menores de 12 años, personas con discapacidad física, sensorial o mental o personas sin ninguna experiencia o conocimiento sobre cómo utilizar el aparato de forma segura.** El aparato puede ser utilizado por personas mayores de 12 años siempre que hayan recibido instrucciones acerca de un uso seguro del aparato y que entiendan los peligros que puede conllevar. Las personas mayores de 12 años también pueden utilizar el aparato bajo la supervisión de un adulto responsable.

Este aparato contiene piezas que pueden calentarse durante el uso, por lo que bajo ninguna circunstancia debe permitirse que personas menores de 12 años se queden solas con el producto mientras esté en funcionamiento, a menos que se utilice una pantalla de protección adecuada para protegerles ante cualquier posibilidad de entrar en contacto directo con el aparato.

Los niños no deben jugar con el aparato.

Los niños no deben realizar la limpieza y el mantenimiento del usuario sin supervisión.

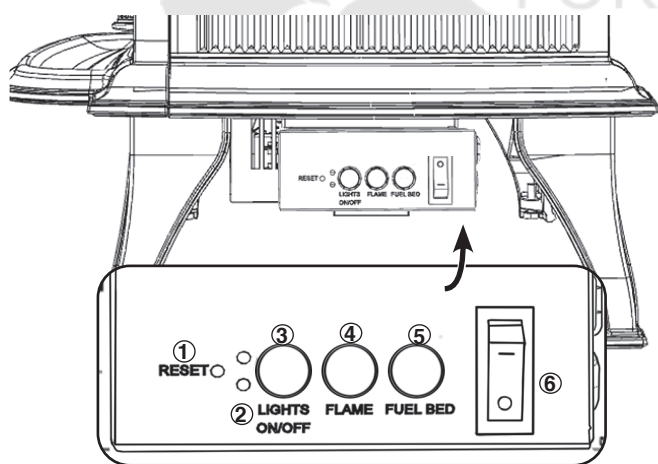
## INSTRUCCIONES DE USO



**¡ADVERTENCIA!** No ponga el aparato en funcionamiento si se encontrara dañado o si funciona incorrectamente. Si sospechara que el aparato se encuentra dañado o funciona incorrectamente, antes de volver a utilizarlo llame a un técnico de servicio acreditado para que lo inspeccione y sustituya cualquier pieza del sistema eléctrico si fuera necesario.

**NO** desenchufe el aparato del suministro eléctrico mientras se encuentre funcionando. Utilice las funciones del mando a distancia para apagar el calefactor y asegúrese de que el interruptor de aislamiento se haya colocado en la posición de apagado antes de desenchufar.

### PANEL DE CONTROL MANUAL



1. Reinicie el botón del mando a distancia
2. Indicadores del funcionamiento del calefactor
3. Botón de encendido/ apagado de todas las luces
4. Botón de ajuste de llama
5. Botón de configuración del lecho de combustible
6. Modo de espera Botón On/Off

### FUNCIONAMIENTO DEL APARATO

Pulse 6 para **encender/apagar** el aparato.



**NOTA:** Para usar tanto las funciones a distancia como las manuales, el interruptor manual de encendido/apagado debe estar en la posición de encendido «ON». Para evitar que el aparato se caliente demasiado, hay un retraso de 10 segundos cuando se enciende el calefactor y otro retraso de 10 segundos cuando se apaga el ventilador.

El botón manual controla las funciones básicas, no una amplia gama de controles. Use el mando a distancia para llevar a cabo todas las funciones.

Pulse 3 para **encender/apagar las llamas y el lecho de combustible** al mismo tiempo.

Pulse 4 para seleccionar el color de las llamas o volver a apagar. Hay 3 colores de llama disponibles:

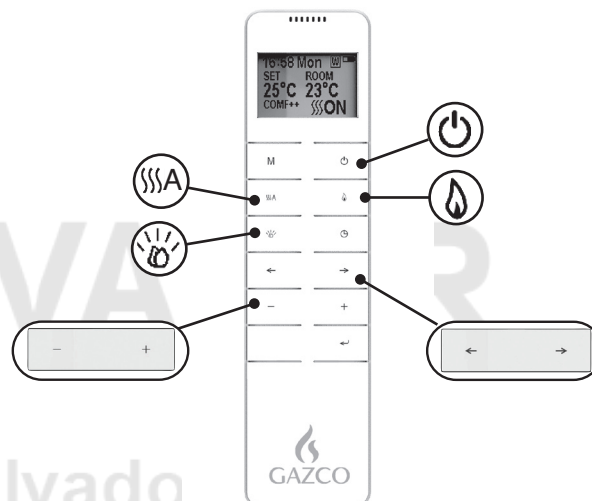
Pulse 5 para seleccionar el color del lecho de combustible o volver a apagar.

Hay 14 colores disponibles para el lecho de combustible.

**Nota:** El aparato perderá la memoria de las funciones de luz cuando el interruptor se coloque en la posición de apagado «Off» o el mando a distancia se quede sin pilas.

### MANDOS A DISTANCIA

El mando a distancia debe dejarse en una superficie plana en la habitación donde está instalado el aparato y fuera del alcance de cualquier flujo directo de aire caliente.



- Potencia

- Calefacción

- Llama

- Lecho de combustible

- Colores opcionales

- Niveles

### FUNCIONAMIENTO DEL APARATO - INICIO RÁPIDO



**Encender/apagar el aparato**

El aparato se iniciará con la última configuración utilizada.



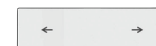
**Encender/apagar el calefactor.**



- Aumentar o reducir la producción de calor.

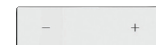


**Encender/apagar el efecto de las llamas.**



- Cambiar de color.

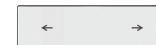
Hay 3 colores de llama disponibles:



- Aumentar o reducir el brillo.



**Encender/apagar el efecto del lecho de combustible.**



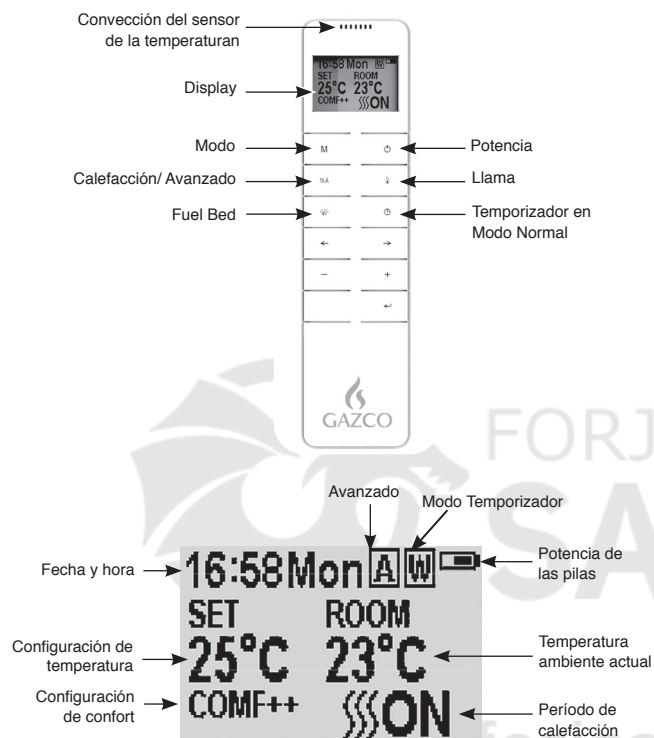
- Cambiar de color.

Hay 14 colores disponibles para el lecho de combustible:



- Aumentar o reducir el brillo.

## FUNCIONAMIENTO DEL APARATO - OPERACIÓN AVANZADA



### ENCENDER/APAGAR

Pulse el botón para encender el efecto llama.

Pulse el botón para apagar todas las funciones bajo el modo de control de calefacción normal, que incluye el efecto llama y el ventilador.

Pulse el botón para desactivar el efecto llama del modo temporizador diario y semanal de la calefacción.

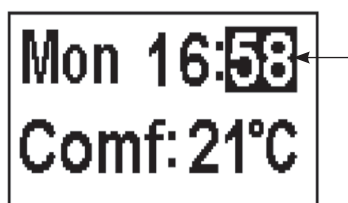
### DÍAS DE LA SEMANA/HORA/TEMPERATURA DE CONFORT Y CONFIGURACIÓN DE UNIDAD

**Confirme que la hora del reloj sea correcta.**

Mantenga pulsado el botón **M** durante 3 segundos para ingresar a la pantalla de configuración.

Pulse el botón '**<**' o '**>**' para elegir la configuración a cambiar.

El carácter seleccionado se iluminará.



Pulse el botón '**+**' o '**-**' para ajustar el número.

Hora: sistema 24 horas.

Seleccione la temperatura de confort a partir de los 15-25°C.

Unidades de temperatura: °C/°F.

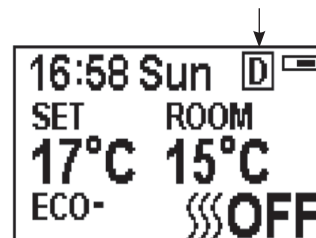
Pulse el botón durante 3 segundos o espere 10 segundos para guardar y salir de la configuración de la semana, la hora y la temperatura de la calefacción.

### TEMPORIZADOR DIARIO DE LA CALEFACCIÓN

Los siguientes periodos de calefacción han sido preestablecidos, aunque pueden modificarse si se desea:

06:00 hasta 08:00  
17:00 hasta 22:00

Mantenga pulsado **M** hasta que **D** aparezca en la esquina superior derecha de la pantalla para introducir el modo temporizador diario de la calefacción.

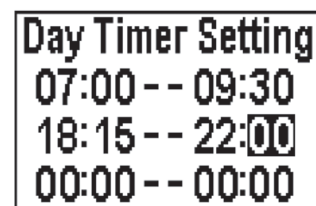


Mantenga pulsado el botón durante 6 segundos para introducir la configuración de la calefacción diaria.

Se puede establecer un máximo de 3 periodos de calefacción programados por día.

Pulse el botón '**<**' o '**>**' para elegir la hora o el minuto.

Pulse el botón '**+**' o '**-**' para fijar el número.  
Cada pulsación añade/resta 15 minutos.



Mantenga pulsado el botón durante 3 segundos o espere 10 segundos para guardar y salir de la configuración del periodo de tiempo de calefacción.

Compruebe la configuración del temporizador. Pulse para comprobar el modo temporizador diario.

Si tiene que apagar la calefacción, es necesario que vuelva al modo de control normal.

**Cuando esté en modo temporizador diario, apague el aparato con el mando a distancia. Esto detendrá la potencia luminosa. La potencia térmica continuará según los ajustes del temporizador.**

### AJUSTE DE LA TEMPERATURA PROGRAMADA

Pulse el botón '**+**' o '**-**' para aumentar o disminuir la temperatura en función de la temperatura COMF.

**COMF** significa que la temperatura actual es la misma que la programada.

**ECO** significa que la temperatura actual es 2 °C menos que la temperatura programada.

**ECO-** significa 4 °C menos.

**COMF+** significa 2 °C más.

**COMF++** significa 4 °C más.

## CONTROL ADAPTABLE DE INICIO

Según la temperatura ambiente y la temperatura establecida, el calefactor determinará automáticamente el momento apropiado para calentar para garantizar que se alcanza la temperatura establecida en el tiempo establecido (hasta 45 minutos antes del tiempo programado).

## AJUSTE DEL COLOR DE LA LLAMA

Pulse el botón  para ingresar en la pantalla de ajuste de la llama.

Hay 3 colores disponibles de llama que se indican en el número mostrado en el diagrama.

Hay 6 niveles de brillo, incluido el apagado. Esto se indica en la barra. La barra en blanco indica que está desactivado.




Pulse el botón '←' o '→' para ir pasando entre los colores disponibles de llama.

Pulse el botón '+' para aumentar el brillo de la llama.

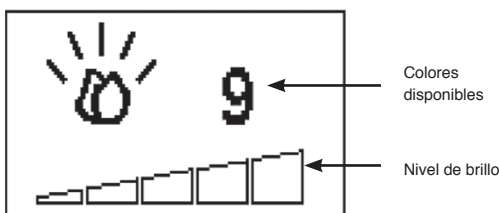
Pulse el botón '-' para disminuir el brillo de la llama hasta apagarla.

## REGULACIÓN DEL COLOR DEL LECHO DE COMBUSTIBLE

Pulse  para ingresar a la pantalla de regulación de la luz del lecho de combustible.

Hay 14 colores opcionales para el lecho de combustible, que se indican con el número en pantalla.

Hay 6 niveles de brillo, incluido el apagado. Esto se indica en la barra. La barra en blanco indica que está desactivado.



Pulse el botón '←' o '→' para recorrer las opciones de color del lecho de combustible.

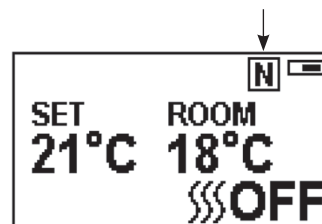
Pulse el botón "+" para aumentar el brillo del lecho de combustible.

Pulse el botón "-" para reducir el brillo del lecho de combustible hasta apagarlo.

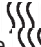
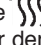
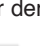
## MODO DE CONTROL NORMAL

El modo de control normal es la configuración predeterminada.

Alternativamente, pulse el botón **M** hasta que aparezca el **N** logotipo en la esquina superior derecha de la pantalla.



Pulse el botón '+' o '-' para ajustar la temperatura programada desde 17°C a 25°C.

Pulse el botón  **A** para encender o apagar la calefacción. Los botones de  encendido o  apagado se mostrarán en la esquina inferior derecha de la pantalla, consulte el diagrama.




Nota: Es normal que el ventilador deje de funcionar durante unos períodos de tiempo. Esto ocurre si la temperatura ambiente es más alta que la temperatura establecida en el control.

El indicador del calefactor se apagará después de 10 s si la llama se enciende. El indicador del calefactor permanecerá encendido si solo se usa la función de calefacción.

**Cuando esté en modo de control normal, apague el aparato con el mando a distancia. Esto detecta tanto la potencia luminosa como la potencia térmica.**

## CONTADOR REGRESIVO

Esta configuración solo está en el modo de control de calefacción normal. Esto permite que el aparato vuelva al modo de espera tras un período de tiempo programado. Para usar esta función, el calefactor debe de estar encendido.

Pulse  para ir pasando entre la opción de ajuste de apagado «Off» y de 0,5 horas a 9 horas. El logotipo del temporizador y el tiempo restante aparecerán en la pantalla.

El calefactor del aparato se puede ejecutar automáticamente mediante el uso del temporizador diario y el semanal en el mando a distancia.

## TEMPORIZADOR SEMANAL DE LA CALEFACCIÓN

Los siguientes periodos de calefacción han sido preestablecidos, aunque pueden modificarse si se desea:

De lunes a viernes  
06:00 hasta 08:30  
17:00 hasta 22:00

De sábado a domingo  
06:30 hasta 09:30  
11:00 hasta 13:00  
17:00 hasta 22:00

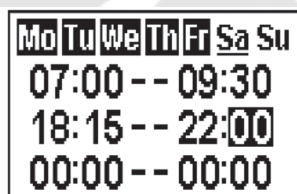
Mantenga pulsado **M** hasta que **W** aparezca en la esquina superior derecha de la pantalla para introducir el modo de calefacción semanal.



Mantenga pulsado el botón **←** durante 6 segundos para introducir la configuración del modo temporizador semanal de la calefacción.

Pulse '**←**' o '**→**' para mover el cursor (una línea intermitente).

Pulse el botón **←** en la posición correspondiente de la semana para seleccionar (el carácter está iluminado) o cancelar (el carácter se muestra normalmente) la configuración actual. El mismo período de tiempo se puede seleccionar al mismo tiempo.



Pulse el botón '**→**' para mover el cursor al área de configuración del período de tiempo.

Pulse el botón '**←**' o '**→**' para elegir la hora o el minuto.

Pulse el botón '**+**' o '**-**' para fijar el número.

Se puede establecer un máximo de 3 períodos de calefacción programados por día.

Cada pulsación añade/resta 15 minutos.

Pulse **←** para establecer el tiempo de calefacción para el día seleccionado y vuelva a la semana.

Pulse el botón **←** durante 3 segundos o espere 10 segundos para guardar y salir de la configuración de la semana, la hora y la temperatura de la calefacción.

Pulse **←** '**←**' o '**→**' para comprobar la configuración temporizador para el modo temporizador semanal de la calefacción.

Si tiene que apagar la calefacción, es necesario que vuelva al modo de control normal.

**Cuando esté en modo temporizador diario, apague el aparato con el mando a distancia. Esto detendrá la potencia luminosa. La potencia térmica continuará según los ajustes del temporizador.**

#### AJUSTE DE LA TEMPERATURA PROGRAMADA

Pulse el botón '**+**' o '**-**' para aumentar o disminuir la temperatura en función de la temperatura COMF.

**COMF** significa que la temperatura actual es la misma que la programada.

**ECO** significa que la temperatura actual es 2 °C menos que la temperatura programada.

**ECO-** significa 4 °C menos.

**COMF+** significa 2 °C más.

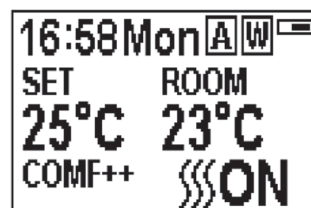
**COMF++** significa 4 °C más.

#### CONTROL ADAPTABLE DE INICIO

Según la temperatura ambiente y la temperatura establecida, el calefactor determinará automáticamente el momento apropiado para calentar para garantizar que se alcanza la temperatura establecida en el tiempo establecido (hasta 45 minutos antes del tiempo programado).

#### MODO AVANZADO

El estado de la calefacción puede avanzar hasta el siguiente período tanto en el modo temporizador diario como semanal de la calefacción.

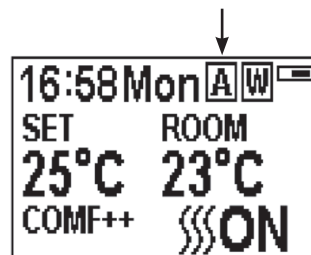


Si el calefactor está encendido en el período actual, al pulsar el botón **W** se apagará el calefactor.

Si el calefactor está apagado en el período actual, al pulsar el botón **W** se encenderá el calefactor.

Si la calefacción actual se enciende o se apaga también depende de la temperatura ambiente y de la temperatura programada.

Pulse **W A** para introducir el modo avanzado bajo el modo temporizador diario y semanal de la calefacción **A** que se mostrará en la esquina superior derecha de la pantalla.



Pulse **W A** de nuevo o el período del temporizador expirará y se saldrá del modo avanzado.

#### DETECCIÓN DE VENTANA ABIERTA

Cuando el transmisor detecte una rápida disminución de la temperatura ambiente, se considerará como una ventana abierta: se mostrará el icono de advertencia y la calefacción se apagará automáticamente.



Después de que la temperatura interior aumente o por intervención manual (al accionar el mando a distancia), volverá al estado de funcionamiento normal.

## FUNCIONAMIENTO DEL APARATO - SOLUCIÓN DE PROBLEMAS

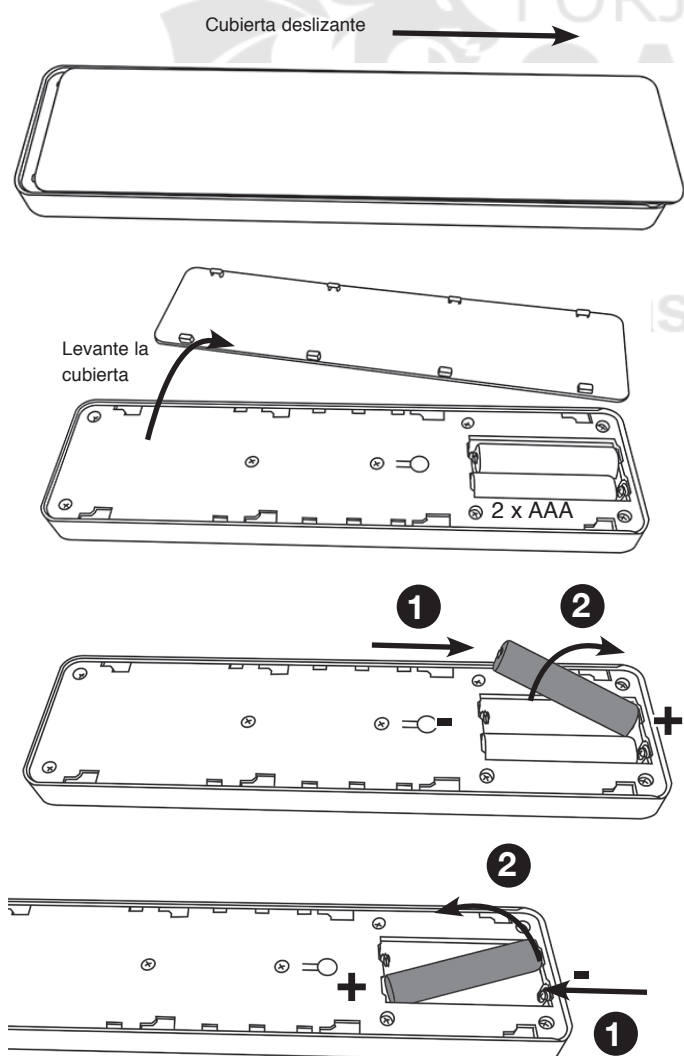
### BATERÍA

El nivel de energía de las pilas se indica en la parte superior de la pantalla del mando a distancia, consulte el diagrama.

	Pilas cargadas	No es preciso tomar medidas
	Pilas a media potencia	Asegúrese que haya nuevas pilas disponibles
	Pilas descargadas	Cambie las pilas inmediatamente

### CAMBIO DE BATERÍA

Las pilas gastadas deben retirarse del aparato y desecharse de forma segura.



Compruebe que la batería del mando sea nueva y se encuentra correctamente insertada.

Deshágase de las baterías viejas en una instalación de reciclaje apropiada.

Se recomienda cambiar las pilas después de 1 año. El mando a distancia necesita dos pilas alcalinas tipo AAA de 1,5V.

Asegure la polaridad correcta.  
No cortocircuite los terminales.

No intente recargar baterías no recargables.

Retire las pilas recargables antes de cargarlas.

No mezcle pilas nuevas y viejas.

Retire las baterías si el aparato no se utiliza durante períodos prolongados.

**Cambiar las pilas no afectará la configuración del modo temporizador. Sin embargo, es posible que se necesite ajustar el reloj.**



**NOTA:** Para usar tanto las funciones a distancia como las manuales, el interruptor manual de encendido/apagado debe estar en la posición de encendido «ON». Para evitar que el aparato se caliente demasiado, hay un retraso de 10 segundos cuando se enciende el calefactor y otro retraso de 10 segundos cuando se apaga el ventilador.

El botón manual controla las funciones básicas, no una amplia gama de controles. Use el mando a distancia para llevar a cabo todas las funciones.

### INDICADORES DEL FUNCIONAMIENTO DEL CALEFACTOR

Al usar el ventilador calefactor junto con el efecto de llama o el lecho de combustible, los indicadores de funcionamiento del calefactor se encienden durante 10 segundos.

Las luces LED se encenderán durante 10 segundos si el efecto de la llama o el lecho de combustible está activado. Si el ventilador se utiliza independientemente, los indicadores de funcionamiento del calefactor permanecerán encendidos.

### REINICIE EL BOTÓN DEL MANDO A DISTANCIA

Si el mando pierde señal o necesita ser reemplazado, consulte la sección en la sección de mantenimiento para más detalles.

### CÓDIGO DE AVISO

El mando a distancia funciona por señal de radio. El transmisor manual está configurado de fábrica con un código de aviso único.

**IMPORTANTE:** Si el mando pierde señal o necesita ser reemplazado, consulte la sección en la sección de mantenimiento para más detalles.

## MANTENIMIENTO



**IMPORTANTE: EL PANEL EXTERIOR DEL HUNTINGDON ESTÁ COMPUESTO DE HIERRO COLADO. TENGA CUIDADO AL REALIZAR LA INSTALACIÓN, LA EXTRACCIÓN Y EL ALMACENAMIENTO DE LA UNIDAD: LOS COMPONENTES SON PESADOS Y DEBEN SER MANIPULADOS CUIDADOSAMENTE.**

**DESENCHUFE EL DISPOSITIVO DEL SUMINISTRO ELÉCTRICO ANTES DE REALIZAR CUALQUIER TAREA DE MANTENIMIENTO O LIMPIEZA.**

### LIMPIEZA GENERAL

Limpie la cubierta externa solo cuando esté fría. No use limpiadores abrasivos.

### LIMPIEZA DE LA PARTE FRONTAL

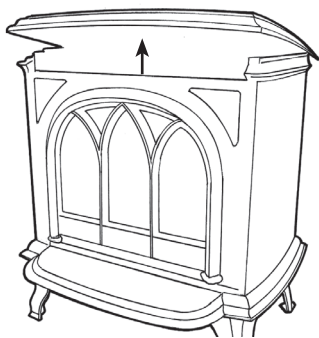
Limpie el panel de visualización con un trapo humedecido y repáselo con un paño sin pelusa.

**Advertencia: No use limpiadores abrasivos en el panel de cristal. No realice el rociado de ningún tipo de líquido directamente en la superficie de la unidad.**

### LIMPIEZA DE LA BASE DE COMBUSTIBLE

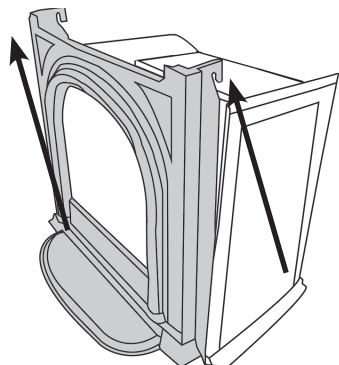
Para limpiar la base de combustible es necesario quitar el panel del cristal de visualización.

Asegúrese de que la unidad se ha desenchufado.



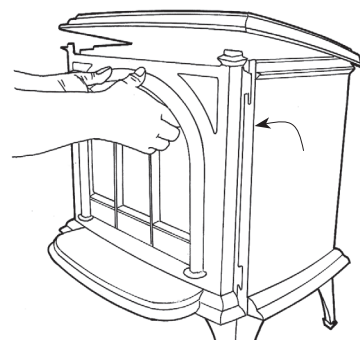
### HUNTINGDON 20 & 40

Sujete la parte superior e inferior de la puerta y, simultáneamente, levante la parte frontal en un ángulo de 45° hasta sacarla de las ranuras. A continuación, extráigala (consulte el diagrama).

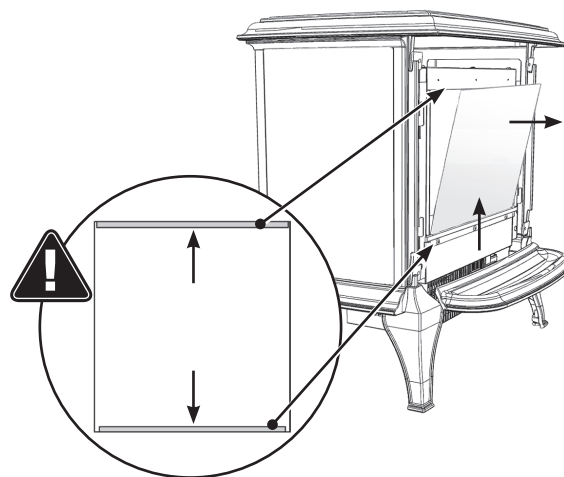
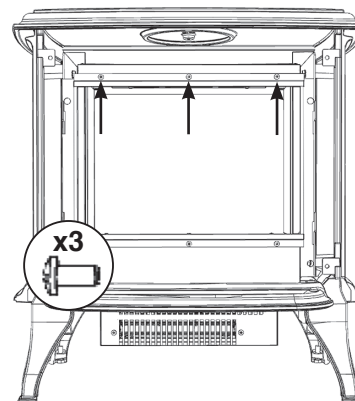


### HUNTINGDON 30

Levante la parte frontal hasta sacarla de las ranuras y, a continuación, extráigala (consulte el diagrama).



### TODOS LOS MODELOS



Ahora puede acceder a la base de combustible.

Quite y limpie la base de combustible para eliminar las partículas de polvo. Alternativamente, limpie la base con un paño sin pelusa. **Asegúrese de que la base está seca antes de volver a colocarla.**

**Para reemplazar la base de combustible, consulte el diagrama de la sección de las instrucciones de instalación.**

Realice la reinstalación en orden inverso.

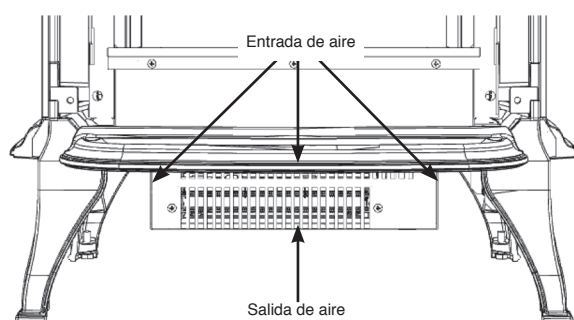
## LIMPIEZA DE LAS ENTRADAS DE AIRE

Asegúrese de que la unidad se ha desenchufado.

Quite el plinto o abra la puerta, y quite el bastidor y la parte superior de la unidad.

Limpie las rejillas de salida y entrada de aire regularmente con un trapo suave o con la boquilla de una aspiradora.

Nota: Entre las unidades de salida y entrada se encuentran entradas de aire que deben limpiarse de forma regular.



**La acumulación de polvo puede impedir el rendimiento eficiente del ventilador y producir la activación del disyuntor de seguridad.**

Mantenga el área alrededor de la unidad limpia, sin polvo, pelusa ni pelos de animales de compañía.

Las acumulaciones de residuos, como el polvo, se pueden producir particularmente alrededor del área del calefactor. Procure retirar de esta área dichas partículas de forma regular para evitar acumulaciones.

## INSTALACIÓN

## GENERALIDADES

### HERRAMIENTAS REQUERIDAS

1 x Destornillador.

### DESEMBALADO DE LA ESTUFA

**¡AVISO! NO utilice este aparato si cualquiera de sus piezas ha estado sumergida bajo el agua.**

Si fuera necesario, llame inmediatamente a un técnico de servicio cualificado para inspeccionar y sustituir cualquier pieza del sistema eléctrico.

Abra con cuidado el embalaje y saque el poliestireno. Extraiga y deseche la bolsa de plástico. Mantenga siempre las bolsas de plástico alejadas de los niños. Sea responsable a la hora de manejar los materiales de embalaje.

Compruebe que haya sacado todas las piezas y accesorios antes de deshacerse de cualquier embalaje. En caso necesario, conserve el embalaje original para un futuro almacenamiento o transporte de la unidad.



**Este aparato es pesado y no necesita anclarse al suelo ni la chimenea, pero en algunas circunstancias, podría desestabilizarse, por ej., si alguien se apoya sobre él. Si es probable que esto ocurra, asegure el aparato al suelo o la chimenea con fijaciones lo bastante fuertes.**

## UBICACIÓN DEL APARATO

El aparato puede ser instalado prácticamente en cualquier lugar de la casa. Sin embargo, al escoger su ubicación, asegúrese de seguir las siguientes instrucciones generales:

Para un mejor resultado, instálela fuera de la luz solar directa.

Si el cable de la tensión eléctrica se encontrara dañado, deberá ser reparado por el fabricante, su centro autorizado o un profesional.

El aparato debe emplazarse próximo a un enchufe eléctrico apropiado para permitir su conexión. Tal enchufe será de fácil acceso de manera que es posible desconectar el aparato mientras se instala.

El aparato debe colocarse en una superficie limpia y nivelada. No colocarlo sobre una alfombra. Asegúrese de que muebles, cortinas u objetos inflamables guarden una distancia de cómo mínimo 1 m del aparato. La superficie puede llegar a alcanzar 90° C. No permitir que se coloquen alfombras a menos de 500 mm de la parte delantera del aparato.

Asegúrese de que las cortinas y los muebles no se colocan cerca de la posición elegida, ya que esto crearía un riesgo potencial de incendio o bloquear los conductos de salida del calentador.

**ADVERTENCIA! MANTENGA CUALQUIER MATERIAL COMBUSTIBLE A UNA DISTANCIA MÍNIMA DE UN METRO DEL FRONTAL DEL APARATO.**

## ESPACIOS ALREDEDOR DE CHIMENEAS DE GRANDES DIMENSIONES (INGLENOOK)

Para todos los modelos, las dimensiones necesarias para la instalación en chimeneas de grandes dimensiones (de estilo tradicional, o inglenook) se pueden calcular mediante la adición de 225 mm a la altura de la unidad y 150 mm a los lados de esta. Es preciso agregar 50 mm a la profundidad para proporcionar el espacio necesario detrás de la unidad.

## MANTENIMIENTO



**DURANTE LA REPARACIÓN DE ESTE APARATO, PODRÍA TENER QUE CORTAR BRIDAS DE CABLES PARA PONER ACCEDER A ALGUNAS PIEZAS PARA SU DESMONTAJE. LAS BRIDAS SE DEBERÁN VOLVER A COLOCAR CUANDO SE INSTALE DE NUEVO EL APARATO.**

**ESTE APARATO SOLAMENTE DEBE REPARARLO UNA PERSONA DEBIDAMENTE ACREDITADA.**

**ANTES DE REALIZAR TAREAS CON EL APARATO: APAGUE EL APARATO Y RETIRE LA FUENTE DE ALIMENTACIÓN PARA ASEGURAR QUE EL APARATO NO CUENTA CON ALIMENTACIÓN ELÉCTRICA.**

Espere al menos 10 minutos hasta que se haya enfriado el aparato.

### Sustitución de la pila del mando a distancia

Sustituir por 2 pilas AAA. Asegúrese de que la pila se encuentra correctamente instalada en el mando a distancia.



**NOTA: El control remoto tiene un indicador de estado de la batería (en la esquina superior derecha); tras un lapso prolongado de mostrar que está agotada, la pantalla LED dejará de funcionar: Sin embargo, el mando seguirá controlando la unidad. Cambie las pilas para que la pantalla vuelva a funcionar.**

### Mantenimiento de los motores

Los motores empleados en el ventilador y en el efecto de llama vienen ya engrasados para prolongar su vida útil y no requieren volver a ser engrasados. Sin embargo, sí se recomienda la limpieza o aspirado periódicos de la unidad del ventilador/ calefactor.

### Reinicio del interruptor térmico de protección

El aparato dispone de un control electrónico de seguridad. Se trata de un dispositivo de seguridad que desconecta la estufa en caso de que el aparato se sobrecaliente por cualquier razón, como por ejemplo al cubrirse.

Si el calefactor deja de funcionar mientras continua con normalidad el efecto de llama, es un indicador de que el control de seguridad se ha activado.

Este control solamente puede reiniciarse una vez que el aparato se ha enfriado.

Para reiniciar el control de seguridad:

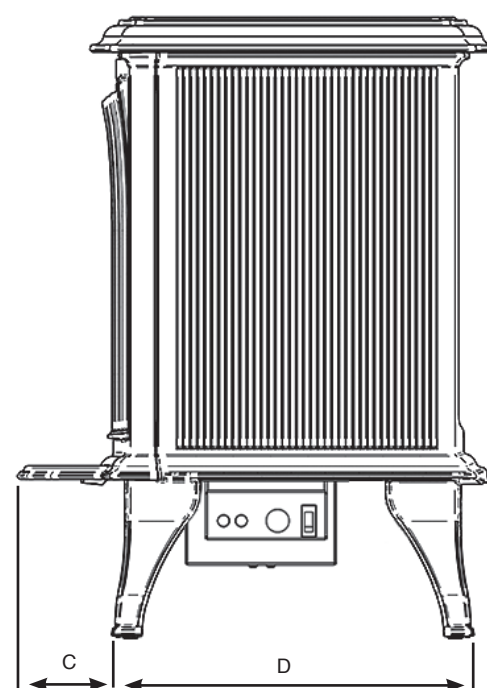
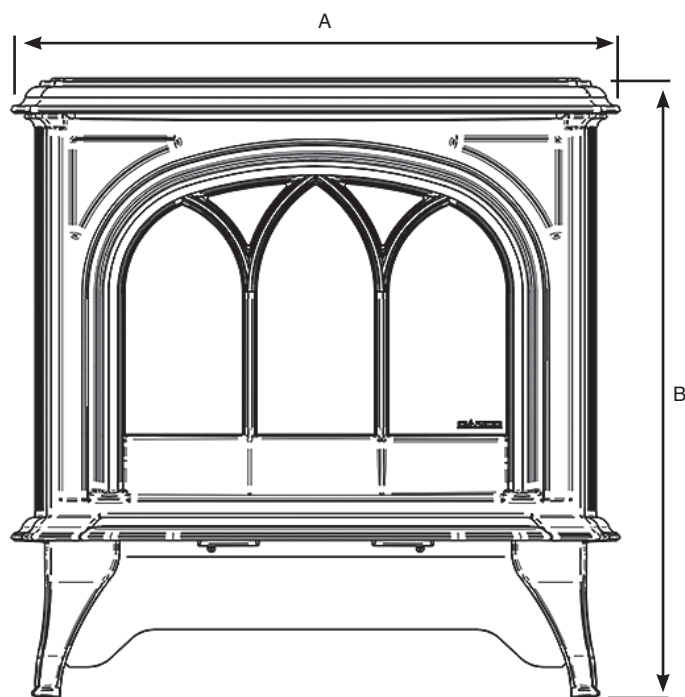
Desconecte el aparato (interruptor encendido/apagado manual) y espere unos 120 minutos.

Elimine cualquier obstrucción en la salida del ventilocalefactor u otras piezas internas.

Encienda el aparato y el control de seguridad se reiniciará. Compruebe que el aparato funciona con normalidad. Si el control de seguridad se activa de nuevo, el aparato deberá ser revisado por un electricista cualificado.

GB: TECHNICAL SPECIFICATION  
 FR: SPÉCIFICATIONS TECHNIQUES  
 DE: TECHNISCHE DATEN  
 NL: TECHNISCHE SPECIFICATIES

IT: SPECIFICHE TECNICHE  
 NO: TEKNISKE SPESIFIKASJONER  
 ES: ESPECIFICACIÓN TÉCNICA



MODEL	DIMENSION (MM)			
	A	B	C	D
HUNTINGDON 20	419	536	96	357
HUNTINGDON 30	560	592	96	357
HUNTINGDON 40	641	653	99	382

**GB: CONTROL SYSTEM TECHNICAL DATA**  
**FR: DONNÉES TECHNIQUES DU SYSTÈME DE COMMANDE**  
**DE: TECHNISCHE DATEN**

**NL: CONTROLESYSTEEM TECHNISCHE DATA**  
**IT: DATI TECNICI DEL SISTEMA DI CONTROLLO**  
**NO: KONTROLLSYSTEM TEKNISK DATA**  
**ES: DATOS TÉCNICOS DEL SISTEMA DE CONTROL**

	<b>GB: Main Control Board</b> <b>FR: Tableau de commande principal</b> <b>DE: Hauptsteuerplatine</b> <b>NL: Hoofdbedieningstafel</b> <b>IT: Pannello di controllo principale</b> <b>NO: Hoved-kontrollkort</b> <b>ES: Placa de control principal</b>	<b>GB: Remote Receiver Board</b> <b>FR: Tableau du récepteur à distance</b> <b>DE: Empfängerplatine</b> <b>NL: Afstandontvangstafel</b> <b>IT: Scheda ricevitore remoto</b> <b>NO: Fjernmottager-kort</b> <b>ES: Placa receptora a distancia</b>	<b>GB: Remote Control</b> <b>FR: Commande à distance</b> <b>DE: Fernbedienung</b> <b>NL: Afstandsbediening</b> <b>IT: Telecomando</b> <b>NO: Fjernkontroll</b> <b>ES: Mando a distancia</b>
<b>Hardware</b>	RC01-040A05 V1	RF290B V1.2	RF290A-TX V1.3
<b>Software</b> <b>FR: Logiciel</b>	RC01-040A05 V1	-	RF290C V06.0.HEX
<b>GB: Frequency</b> <b>FR: Fréquence</b> <b>DE: Frequenz</b> <b>NL: Frequentie</b> <b>IT: Frequenza</b> <b>NO: Frekvens</b> <b>ES: Frecuencia</b>	-	-	ASK/OOK 433.92MHz
<b>GB: Maximum Transmit Power</b> <b>FR: Puissance de transmission maximum</b> <b>DE: Maximale Sendeleistung</b> <b>NL: Maximale zendkracht</b> <b>IT: Massima potenza di trasmissione</b> <b>NO: Maksimal sendestrom</b> <b>ES: Potencia máxima de transmisión</b>	-	-	10mW

**GB: TECHNICAL SPECIFICATION**  
**FR: SPÉCIFICATIONS TECHNIQUES**  
**DE: TECHNISCHE DATEN**  
**NL: TECHNISCHE SPECIFICATIES**

**IT: SPECIFICHE TECNICHE**  
**NO: TEKNISKE SPESIFIKASJONER**  
**ES: ESPECIFICACIÓN TÉCNICA**

Huntingdon 20, 30, & 40	1500 Watts
-------------------------	------------

**EN:** A 230-240VAC 13 Amp 50Hz supply is required  
 Maximum power consumption:  
 A 1.8 metre lead with plug containing a BS1362 13A fuse is supplied. Only use a BS1362 13A fuse with this appliance.  
 2 x Remote control handset battery (AAA)

**FR:** Une alimentation électrique de 230-240VAC, 50Hz est requise.  
 La consommation électrique maximale:  
 L'appareil est fourni avec un câble électrique de 1,80 m de long équipé d'une prise de courant.  
 2 x Pile de la commande à distance (AAA).

**DE:** Es ist eine Stromversorgung mit 230-240 VAC 50 Hz erforderlich  
 Maximale Leistungsaufnahme:  
 Ein Kabel mit 1,8 m Länge sowie Stecker.  
 2 x Batterie für die Fernbedienung (AAA)

**NL:** Een 230-240VAC, 50 Hz voeding is vereist.  
 Maximaal energieverbruik:  
 Er wordt een kabel van 1.8 meter met een stekker  
 2 x Batterij afstandsbediening (AAA).

**IT:** È necessaria un'alimentazione da 230-240VAC, 50Hz  
 Consumo di corrente massimo:  
 Viene fornito un cavo di 1,8 m con una spina.  
 2 x Batteria del telecomando (AAA)

**NO:** Det kreves 230-240VAC 50Hz strømtilførsel  
 Maksimum strømforbruk:  
 En 1,8 m lang ledning med støpsel.  
 2 x Batteri til fjernkontroll (AAA).

**ES:** Se requieren 230-240VAC y 50Hz  
 Máximo consumo:  
 Se suministra un cable de 1,8 metros con enchufe.  
 2 x Batería (AAA)

GB: PACKING CHECKLIST

FR: LISTE DE VÉRIFICATION DU CONDITIONNEMENT

DE: VERPACKUNGSPRÜFLISTE

NL: PAKLIJST

IT: ELENCO DI IMBALLAGGIO

NO: PAKKSEDEL OG SJEKKLISTE

ES: LISTADO DEL EMBALAJE



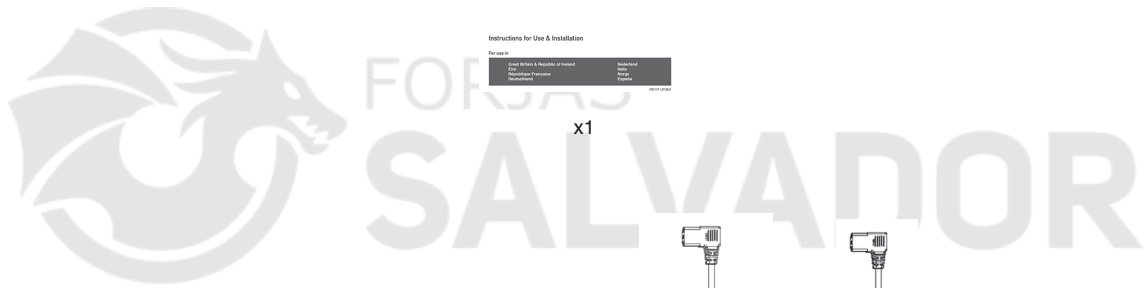
Huntingdon Electric Range  
Free-standing LED Fry



Instructions for Use & Installation

For use in: United Kingdom & Republic of Ireland, France, Germany, Spain, Portugal

x1



x1



x2 (AAA)



1 x UK



1 x EU



x1



x1



x1



x1



x1

INSTALLATION / EINBAU / INSTALLATIE / INSTALLAZIONE / INSTALLASJON / INSTALACIÓN

GB: ACCESSING THE FUEL BED

FR ACCÈS AU LIT DE COMBUSTIBLE

DE: OPTIONALE LED-STIMMUNGSBELEUCHTUNG

NL: TOEGANG TOT HET BRANDSTOFBED

IT: ACCESSO AL CROGIOLO DI COMBUSTIONE

NO: TILGANG TIL BRENNKAMMERET

ES: ACCESO AL LECHO DE COMBUSTIBLE



**GB: IMPORTANT: THE OUTER PANNELLING OF THE HUNTINGDON IS MADE FROM CAST IRON. USE CAUTION WHEN INSTALLING, REMOVING AND STORING AS THE COMPONENTS ARE HEAVY AND SHOULD BE HANDLED CAREFULLY.**

**FR: IMPORTANT : LE PANNEAU EXTERNE DU HUNTINGDON EST FABRIQUÉ EN ACIER. PRENEZ LE PLUS GRAND SOIN LORS DE SON INSTALLATION, DE SON RETRAIT ET DE SON STOCKAGE, CAR LES COMPOSANTS SONT LOURDS ET DOIVENT ÊTRE MANIPULÉS SOIGNEUSEMENT.**

**DE: WICHTIG: DIE AUSSENVERKLEIDUNG DES HUNTINGDON BESTEHT AUS GUSSEISEN. VORSICHT BEIM EIN- UND AUSBAU SOWIE BEI DER LAGERUNG, DA DIE KOMPONENTEN SCHWER SIND UND VORSICHTIG GEHANDHABT WERDEN SOLLTEN.**

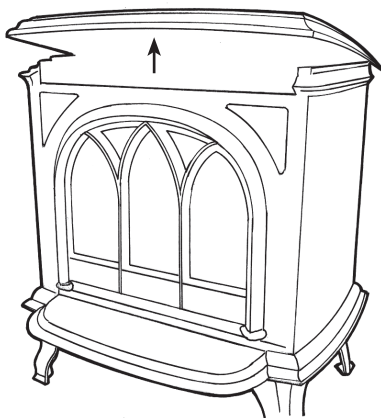
**NL: BELANGRIJK: DE BUITENSTE LAMBRISERING VAN DE HUNTINGDON IS GEMAAKT UIT STAAL. WEES VOORZICHTIG BIJ HET INSTALLEREN, VERWIJDEREN EN OPSLAAN AANGEZIEN DE ONDERDELEN ZWAAR ZIJN EN VOORZICHTIG BEHANDELD MOETEN WORDEN.**

**IT: IMPORTANTE: LA PANNELLATURA ESTERNA DI È REALIZZATA IN ACCIAIO. PRESTARE ATTENZIONE DURANTE L'INSTALLAZIONE, LA RIMOZIONE E LA CONSERVAZIONE POICHÉ I COMPONENTI SONO PESANTI E DEVONO ESSERE MANEGGIATI CON CURA.**

**NO: VIKTIG: DEN YTRE KLEDNINGEN AV ER LAGET IS STÅL. VÆR FORSIKTIG MENS MAN INSTALLERER, FJERNER OG LAGRER DA KOMPONENTENE ER TUNGE OG BØR HÅNTERES MED FORSIKTIGHET.**

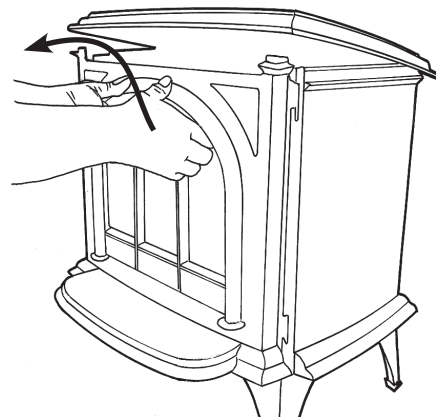
**ES: IMPORTANTE: EL PANEL EXTERIOR DEL HUNTINGDON ESTÁ COMPUESTO DE HIERRO COLADO. TENGA CUIDADO AL REALIZAR LA INSTALACIÓN, LA EXTRACCIÓN Y EL ALMACENAMIENTO DE LA UNIDAD: LOS COMPONENTES SON PESADOS Y DEBEN SER MANIPULADOS CUIDADOSAMENTE.**

1



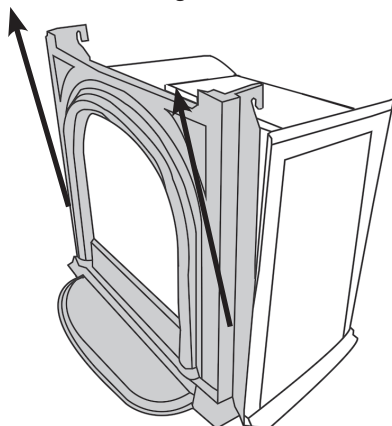
2b

Huntingdon 30

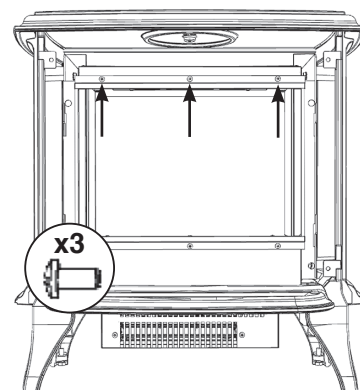


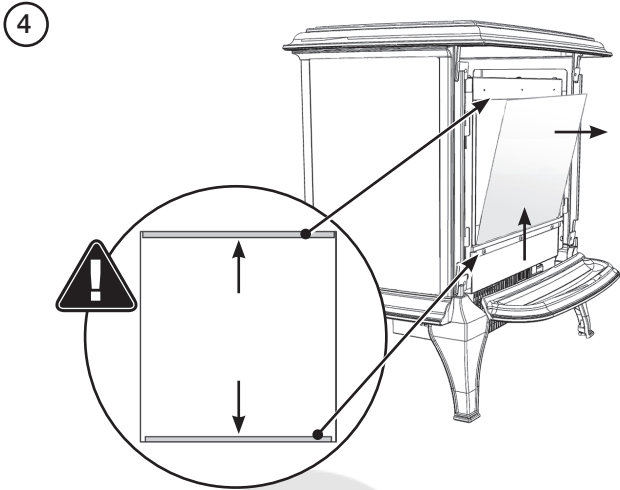
2a

Huntingdon 20 & 40



3





GB: LOG SET - LOG LAYOUT

FR: JEU DE BÛCHES - AGENCEMENT DES BÛCHES

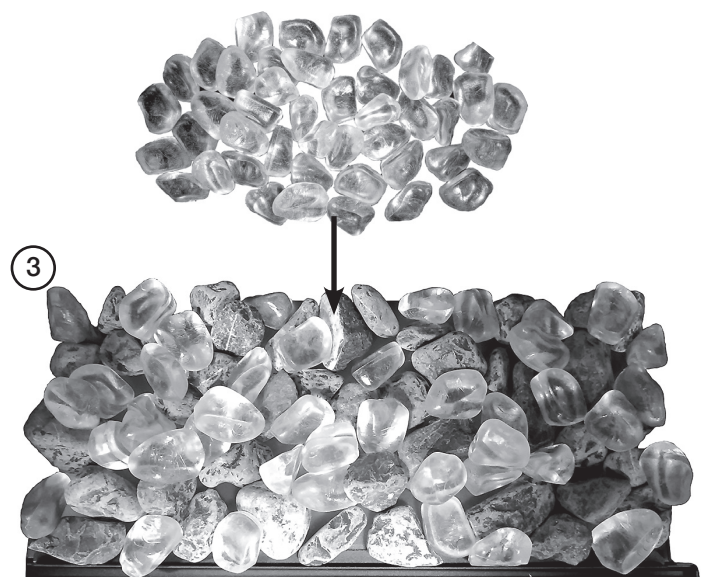
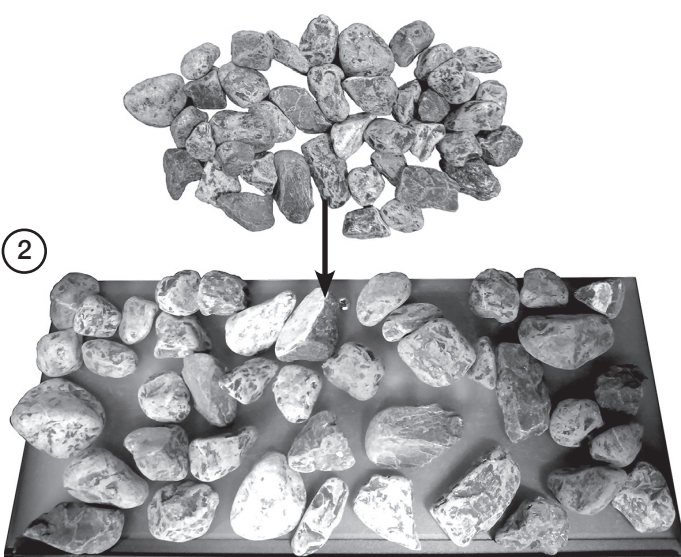
DE: HOLZSCHEIT-SET - ANORDNUNG DER HOLZSCHEITE

NL: BLOKKEN GEPLAATST - BLOKKEN-LAYOUT

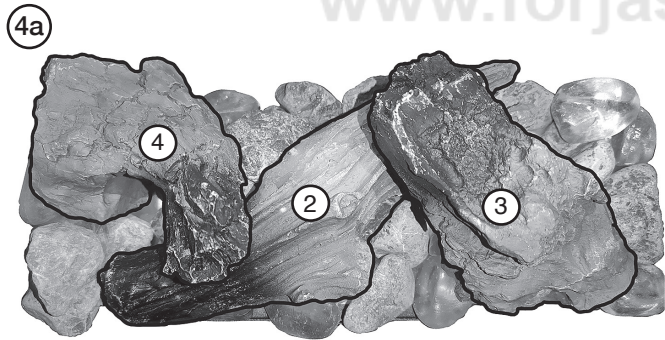
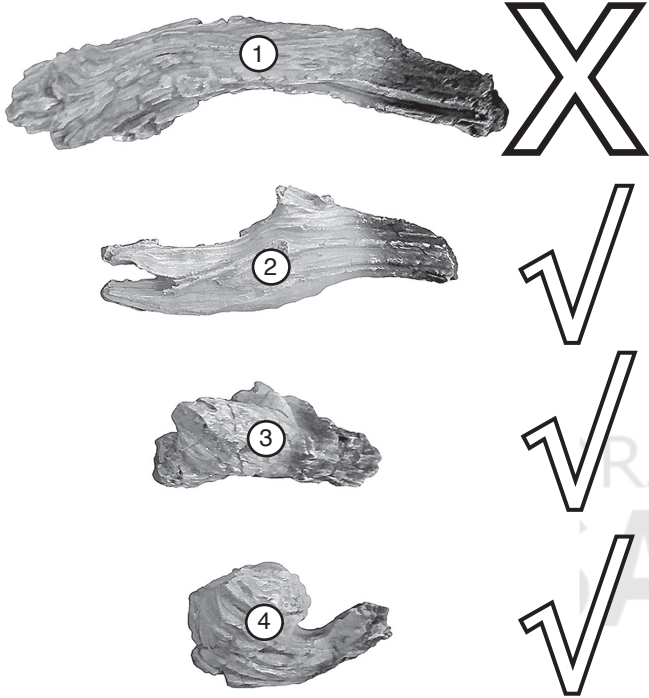
IT: SET DI CEPPI - SCHEMA DEI CEPPI

NO: KUBBESETT - KUBBEOPPSETT

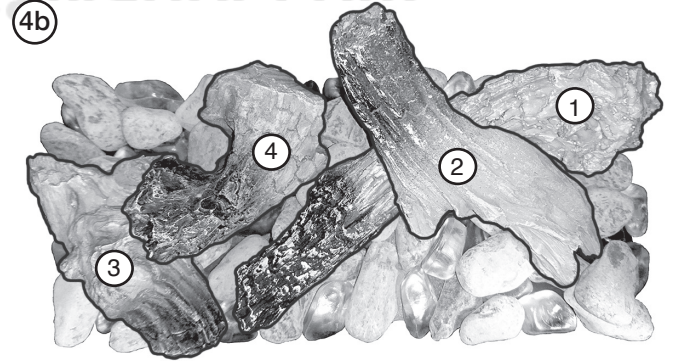
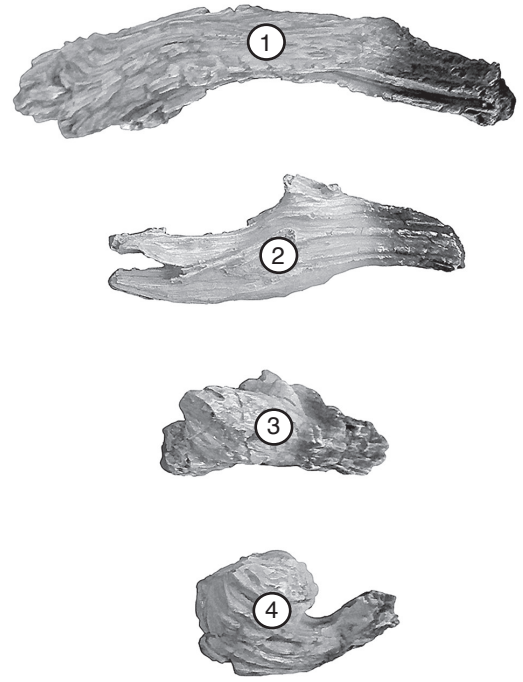
ES: LEÑOS COLOCADOS - DISTRIBUCIÓN DE LOS LEÑOS



HUNTINGDON 20



HUNTINGDON 30 & 40



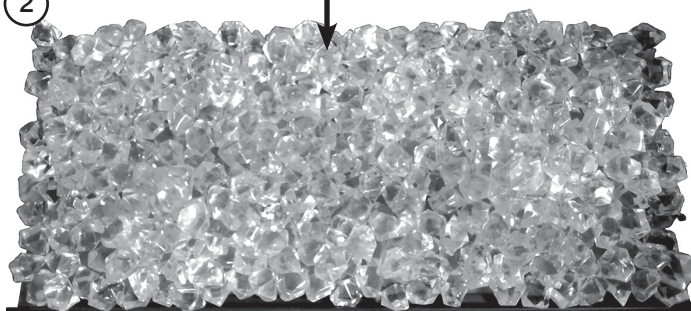
GB: FUEL EFFECT - CRYSTAL ICE GLASS EFFECT  
 FR: EFFET COMBUSTIBLE - VITRE EFFET CRISTAUX  
 DE: VERPACKUNGSPRÜFLISTE  
 NL: BRANDSTOFEFFECT - GLAZEN  
 IJSKRISTALLEN-EFFECT

IT: EFFETTO COMBUSTIBILE - EFFETTO CRISTALLO  
 DI GHIACCIO  
 NO: BRENSELEFFEKT - KRYSTALLGLASS-EFFEKT  
 ES: LISTADO DEL EMBALAJE

1



2

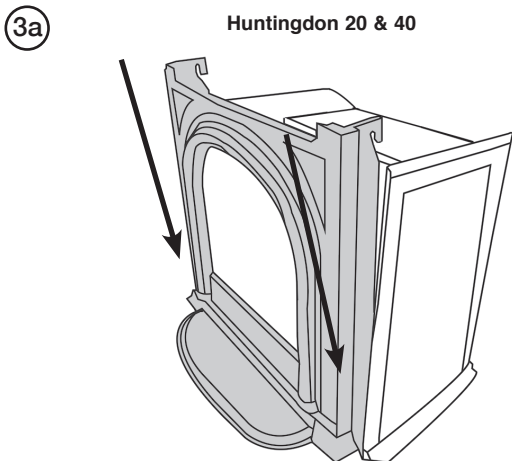
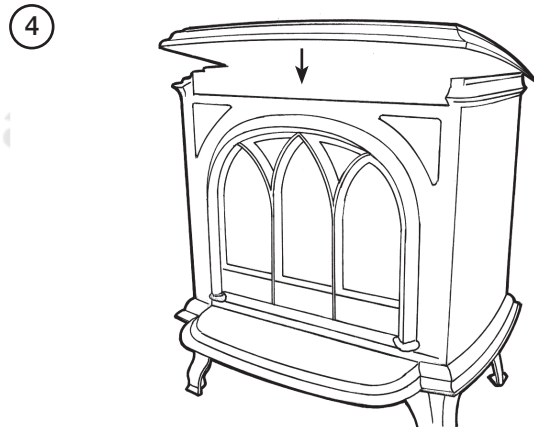
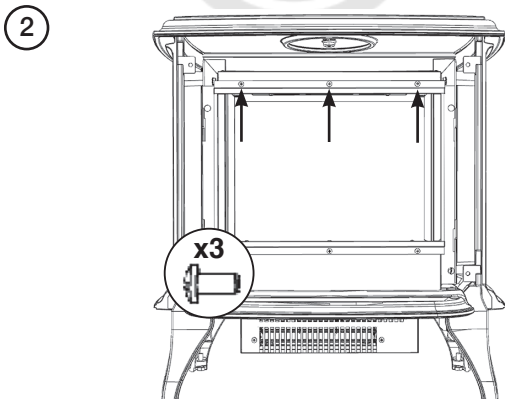
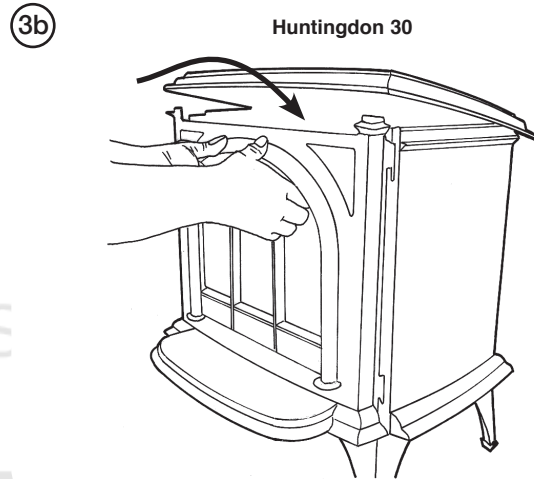
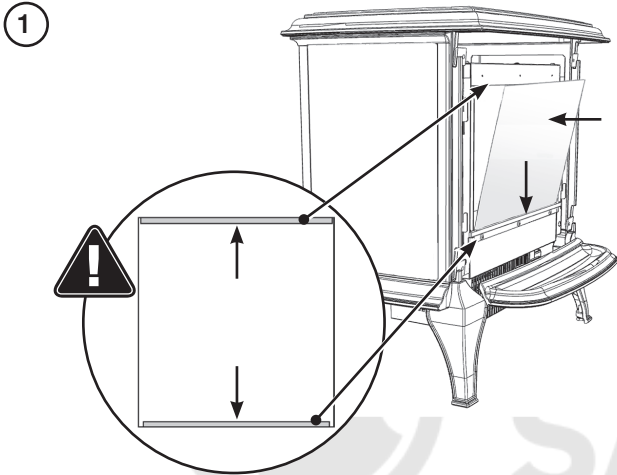


3



GB: COMPLETION OF ASSEMBLY  
 FR: FIN DE L'ASSEMBLAGE  
 DE: ABSCHLUSS DER MONTAGE  
 NL: ASSEMBLAGE VOLTOOIEN

IT: COMPLETAMENTO DEL MONTAGGIO  
 NO: FULLFØRING AV MONTERING  
 ES: FINALIZACIÓN DEL MONTAJE



**GB: INFORMATION REQUIREMENT FOR ELECTRIC LOCAL SPACE HEATERS**  
**FR: INFORMATIONS À FOURNIR POUR UN APPAREIL DE CHAUFFAGE ÉLECTRIQUE LOCALISÉ**  
**DE: TECHNISCHE INFORMATIONEN FÜR ELEKTRISCHE RAUMHEIZGERÄTE**

Model Modèle Modell	HUNTINGDON 20/30/40		
Heat Output Puissance calorifique Heizleistung	Nominal Heat Output Puissance calorifique nominale Nennwärmeleistung	$P_{nom}$	1.5kW
	Minimum Heat Output Puissance calorifique minimale Mindestwärmeleistung	$P_{min}$	0.75kW
	Maximum Continuous Heat Output Sortie de chauffage constante maximum Maximale kontinuierliche Wärmeleistung	$P_{max, c}$	1.5kW

Auxiliary Electricity Consumption Consommation électrique auxiliaire Hilfsstromverbrauch	At Nominal Heat Output À la puissance calorifique nominale Bei Nennwärmeleistung	$el_{max}$	12.5W
	At Minimum Heat Output À la puissance calorifique minimale Bei Mindestwärmeleistung	$el_{min}$	12.0W
	In Standby Mode En mode veille Im Standby-Modus	$el_{sb}$	0.49W

**Type of heat input, for electric storage local space heaters only**  
**Type d'apport de chaleur, uniquement pour les appareils de chauffage électriques localisés**  
**Art des Wärmeeintrags, nur für lokale Raumheizgeräte mit elektrischer Speicherung**

Manual heat charge control, with integrated thermostat Commande manuelle de charge de chaleur avec thermostat intégré Manuelle Regelung der Wärmezufuhr mit integriertem Thermostat	No Non Nein
Manual heat charge control with room and/or outdoor temperature feedback Commande manuelle de charge de chaleur avec retour de température de la pièce et/ou extérieure Manuelle Regelung der Wärmezufuhr mit Rückmeldung der Raum- und/oder Außentemperatur	No Non Nein
Electronic heat charge control with room and/or outdoor temperature feedback Commande électronique de charge de chaleur avec retour de température de la pièce et/ou extérieure Elektronische Regelung der Wärmezufuhr mit Rückmeldung der Raum- und/oder Außentemperatur	No Non Nein
Fan assisted heat output Puissance calorifique assistée par ventilateur Wärmeabgabe mit Gebläseunterstützung	No Non Nein

**TYPE OF HEAT OUTPUT/ROOM TEMPERATURE CONTROL  
TYPE DE PUISSANCE CALORIFIQUE/RÉGULATION DE TEMPÉRATURE AMBIANTE  
ART DER WÄRMELEISTUNG/RAUMTEMPERATURKONTROLLE**

Single stage heat output and no room temperature control Puissance calorifique de niveau unique, pas de régulation de la température ambiante Einstufige Wärmeleistung, keine Raumtemperaturkontrolle	No Non Nein
Two or more manual stages, no room temperature control Au moins deux niveaux manuels, pas de régulation de la température ambiante Zwei oder mehr manuell einstellbare Stufen, keine Raumtemperaturkontrolle	No Non Nein
With mechanic thermostat room temperature control Avec régulation de la température ambiante par thermostat mécanique Raumtemperaturkontrolle mit mechanischem Thermostat	No Non Nein
With electronic room temperature control Avec régulation électronique de la température ambiante Mit elektronischer Raumtemperaturkontrolle	No Non Nein
Electronic room temperature control plus day timer Avec régulation électronique de la température ambiante plus minuteur jour Elektronische Raumtemperaturkontrolle und Tageszeitregelung	No Non Nein
Electronic room temperature control plus week timer Avec régulation électronique de la température ambiante plus minuteur semaine Elektronische Raumtemperaturkontrolle und Wochentagsregelung	Yes Oui Ja

**OTHER CONTROL OPTIONS  
AUTRES OPTIONS DE COMMANDE  
SONSTIGE REGELUNGSOPTIONEN**

Room temperature control, with presence detection Régulation de la température ambiante, avec détection de présence Raumtemperaturkontrolle mit Präsenzerkennung	No Non Nein
Room temperature control, with open window detection Régulation de la température ambiante, avec détection de fenêtre ouverte Raumtemperaturkontrolle mit Erkennung offener Fenster	Yes Oui Ja
With distance control option Avec option de commande à distance Mit Fernbedienungsoption	No Non Nein
With adaptive start control Avec commande de mise en route adaptive Mit adaptiver Regelung des Heizbeginns	Yes Oui Ja
With working time limitation Avec restriction de durée d'utilisation Mit Betriebszeitbegrenzung	No Non Nein
With black bulb sensor Avec capteur bulbe noir Mit Schwarzkugelsensor	No Non Nein

Gazco Ltd, Osprey Road, Sowton Industrial Estate, Exeter, EX2 7JG

**NL: INFORMATIE-EISEN VOOR ELEKTRISCHE TOESTELLEN VOOR LOKALE RUIMTEVERWARMING**  
**IT: INFORMAZIONI OBBLIGATORIE PER GLI APPARECCHI PER IL RISCALDAMENTO D'AMBIENTE LOCALE ELETTRICI**  
**ES: REQUISITOS DE INFORMACIÓN QUE DEBEN CUMPLIR LOS APARATOS DE CALEFACCIÓN LOCAL ELÉCTRICOS**

Modell Modello Modelo	HUNTINGDON 20/30/40		
Warmteafgifte Potenza termica Potencia calorífica	Nominale warmteafgifte Potenza termica nominale Potencia calorífica nominal	$P_{nom}$	1.5kW
	Minimale warmteafgifte Potenza termica minima (indicativa) Potencia calorífica minima (indicativa)	$P_{min}$	0.75kW
	Maximale continue warmteproductie Massima potenza termica continua A potencia calorífica nominal	$P_{max, c}$	1.5kW

Aanvullend elektriciteitsverbruik Consumo auxiliar de energía eléctrica Consumo auxiliar de electricidad	Bij nominale warmteafgifte Alla potenza termica nominale A potencia calorífica nominal	$e_{lmax}$	12.5W
	Bij minimale warmteafgifte Alla potenza termica minima A potencia calorífica minima	$e_{lmin}$	12.0W
	In stand-by-modus In modo stand-by En modo de espera	$e_{lsb}$	0.49W

**Type warmte-input, uitsluitend voor elektrische warmteopslagtoestellen**  
**Tipo di potenza termica, solo per gli apparecchi per il riscaldamento d'ambiente locale elettrici ad accumulo**  
**Tipo de aportación de calor, únicamente para los aparatos de calefacción local eléctricos de acumulación**

Handmatige sturing van de warmteopslag, met geïntegreerde thermostaat Controllo manuale del carico termico, con termostato integrato Control manual de la carga de calor, con termostato integrado	Nee No No
Handmatige sturing van de warmteopslag, met kamer- en/of buitentemperatuurfeedback Controllo manuale del carico termico con riscontro della temperatura ambiente e/o esterna Control manual de la carga de calor con respuesta a la temperatura interior o exterior	Nee No No
Elektronische sturing van de warmteopslag, met kamer- en/of buitentemperatuurfeedback Controllo elettronico del carico termico con riscontro della temperatura ambiente e/o esterna Control electrónico de la carga de calor con respuesta a la temperatura interior o exterior	Nee No No
Door een ventilator bijgestane warmteafgifte Potenza termica assistita da ventilatore Potencia calorífica asistida por ventiladores	Nee No No

**TYPE WARMTEAFGIFTE/STURING KAMERTEMPERATUUR**  
**TIPO DI PÅOTENZA TERMICA/CONTROLLO DELLA TEMPERATURA AMBIENTE**  
**TIPO DE CONTROL DE POTENCIA CALORÍFICA/DE TEMPERATURA INTERIOR**

Eentrapswarmteafgifte, geen sturing van de kamertemperatuur Potenza termica a fase unica senza controllo della temperatura ambiente Potencia calorífica de un solo nivel, sin control de temperatura interior	Nee No No
Twee of meer handmatig in te stellen trappen, geen sturing van de kamertemperatuur Due o più fasi manuali senza controllo della temperatura ambiente Dos o más niveles manuales, sin control de temperatura interior	Nee No No
Met mechanische sturing van de kamertemperatuur door thermostaat Con controllo della temperatura ambiente tramite termostato meccanico Con control de temperatura interior mediante termostato mecánico	Nee No No
Met elektronische sturing van de kamertemperatuur Con controllo elettronico della temperatura ambiente Con control electrónico de temperatura interior	Nee No No
Met elektronische sturing van de kamertemperatuur plus dag-tijdschakelaar Con controllo elettronico della temperatura ambiente e temporizzatore giornaliero Control electrónico de temperatura interior y temporizador diario	Nee No No
Met elektronische sturing van de kamertemperatuur plus week-tijdschakelaar Con controllo elettronico della temperatura ambiente e temporizzatore settimanale Control electrónico de temperatura interior y temporizador diario	Ja Sì Sí

**ANDERE STURINGSOPTIES**  
**ALTRE OPZIONI DI CONTROLLO**  
**OTRAS OPCIONES DE CONTROL**

Sturing van de kamertemperatuur, met aanwezigheidsdetectie Controllo della temperatura ambiente con rilevamento di presenza Control de temperatura interior con detección de presencia	Nee No No
Sturing van de kamertemperatuur, met openraamdetectie Controllo della temperatura ambiente con rilevamento di finestre aperte Control de temperatura interior con detección de ventanas abiertas	Ja Sì Sí
Met de optie van afstandsbediening Con opzione di controllo a distanza Con opción de control a distancia	Nee No No
Met adaptieve sturing van de start Con controllo di avviamento adattabile Con control de puesta en marcha adaptable	Ja Sì Sí
Met beperking van de werkingstijd Con limitazione del tempo di funzionamento Con limitación de tiempo de funcionamiento	Nee No No
Met black-bulbsensor Con termometro a globo nero Con sensor de lámpara negra	Nee No No

Gazco Ltd, Osprey Road, Sowton Industrial Estate, Exeter, EX2 7JG



[www.forjas-salvador.com](http://www.forjas-salvador.com)



[www.forjas-salvador.com](http://www.forjas-salvador.com)



[www.forjas-salvador.com](http://www.forjas-salvador.com)



[www.forjas-salvador.com](http://www.forjas-salvador.com)

**FOR ENQUIRIES IN THE U.K (EXCLUDING NI):**

Gazco Ltd, Osprey Road, Sowton Industrial Estate, Exeter, Devon, England EX2 7JG

Tel: (01392) 261900 E-mail: [info@gazco.com](mailto:info@gazco.com)

**FOR ENQUIRIES IN EUROPE (INCLUDING NI):**

Stovax Heating Group (NI) Ltd (Comp reg NI675194), 40 Linenhall Street, Belfast, BT2

8BA DX 400 NR Belfast Tel: +44 (0)1392 261990 E-mail: [northernireland@gazco.com](mailto:northernireland@gazco.com)

