

NESTOR MARTIN S35 GAS

Estufa de gas en hierro fundido de 7,5Kw de potencia disponible para funcionar con gas natural o gas propano.



[Ver más información online](#)

NESTOR MARTIN

INSTRUCTIONS

Balanced flue Gas



FORJAS

NOTICE

SALVADOR

Poêles à gaz ventouse

www.forjas-salvador.com

Models / Modèles

H15 - S15 - C15

H25 - S25 - C25

H35 - S35 - C35

H45 - S45 - C45

RH35 - FH35

TQH15



SCJ Stove Works

5, rue du lion

B-5660 Frasnes-Lez-COUVIN



www.forjas-salvador.com

Content

1. General Notes	4
2. User instructions.	5
2.1 First Time of Operation	5
2.2 Remote Control Overview	5
2.3 Batteries	6
2.4 Replacing the batteries	6
2.5 Setting the Transmitter code	6
2.6 To Ignite the appliance	6
2.7 To Turn the appliance OFF	7
2.8 Adjusting the Flame setting	7
2.9 N/A	7
2.10 Setting °C/24 hour or °F/12 hour clock	7
2.11 Setting the Time	7
2.12 Cleaning and Maintenance	7
3. Installation instructions.	8
3.1 Gas Connection	8
3.2 Ventilation	8
3.3 Installation	8
3.4 Flue Connection	10
3.5 Commissioning the appliance	14
4. Servicing	15
4.1 Cleaning the Ceramics	15
4.2 Servicing the Burners	15
4.3 Spare parts	15
5. Fuel Bed Arrangements	29
6. Dimensions	41
7. Technical Information	47
7.1. Countries of Use	47
7.2. Technical Data	49

General Notes

1. General Notes

This gas appliance is a High Efficiency, Balanced Flue Live Fuel Effect appliance. It provides radiant and convected heat using the latest burner technology.

Before Installation, check that the local distribution conditions, nature of the gas and pressure, and adjustment of the appliance are compatible.

This appliance is intended for use on a gas installation with a governed meter.

This Gas Installation **may only be installed by a registered professional competent person (Gas Safe installer in the UK)**. The installation must adhere to the requirements of the local and national Building regulations and national standards. The installation manual must also be followed.

Ensure that the Flue Terminal is not in any way obstructed and is clear of vegetation, i.e. trees, shrubs etc. and that no objects are leant against the terminal or guard.

Always clean the Window Panel before the fire is ignited. Any finger prints must be removed, as these will be burnt into the glass and will be un-removable.

WARNING : Do not operate this appliance if the glass panel has been broken (or cracked), removed or is open.

The appliance is designed to fit numerous installation situations as listed in these installation instructions. However only flue approved by Nestor Martin for this appliance may be used.

This appliance is a balanced flue product and is room sealed and as such requires no additional ventilation for operation. However an adequate supply of fresh air to maintain temperatures and a comfortable environment is recommended.

This appliance is designed as a heating appliance, and as such will get very hot in operation, all surfaces (except the controls and access door) are considered to be working surfaces and as such should not be touched. The front windows and surrounds are not considered to be fully secure guards against accidental contact. It is recommended that an approved fire screen be used if children, the elderly or persons with limited mobility are to be present in the same area.

Do not place curtains, laundry, furniture etc. within a safe distance of 600mm of this appliance.

Do not attempt to burn rubbish on this appliance.

If this appliance is extinguished, on purpose or other, no attempt to relight should be made within 3 minutes.

User instructions

2. User instructions.

2.1 First Time of Operation

Before igniting the appliance, ensure that all packaging, safety stickers and any protective wrapping have been removed, and that the glass has been cleaned, including all fingerprints from the glass.

Ensure that the room is adequately ventilated the first time that the appliance is ignited, we would recommend opening windows if possible. Run the appliance at full setting for a few hours so that the paint gets an opportunity to fully cure. During this period it is possible for some fumes and vapours to be given off. We would recommend keeping children and pets out of the area at this time.

2.2 Remote Control Overview

This Nestor Martin Gas Appliance has been constructed with an advanced remote control system. This consists of three main parts; Handset (fig. 1.1), Receiver (fig. 1.2) and Gas Valve with Manual Override (fig. 1.3). The Gas control valve and the Receiver are behind the access door. This is also where the product Data Label is located.

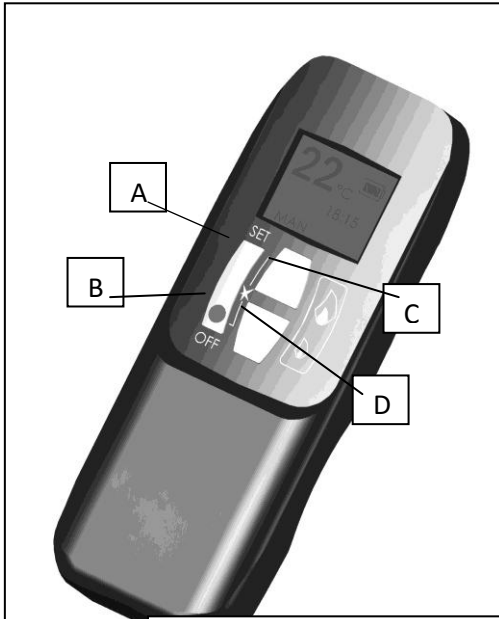


Fig. 1.1 Remote Handset

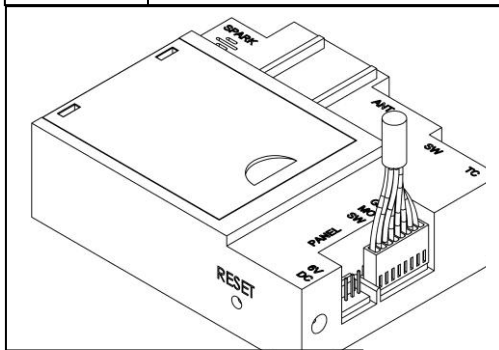


Fig. 1.2 Remote Receiver

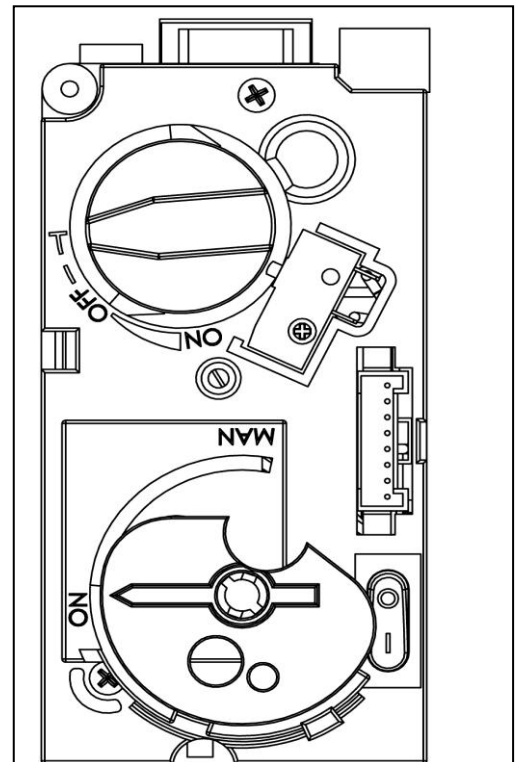


Fig. 1.3 Gas Control

User instructions

2.3 Batteries

Remote Handset:

1 x 9V "PP3" Battery, Quality alkaline recommended

Receiver:

4 x 1.5V "AA", Quality alkaline recommended for maximum life.

An alternative AC Mains Adaptor may be used to power the Receiver instead of the 4 AA batteries. Only an AC Mains Adapter supplied by Nestor Martin may be used. The Mains Adaptor is plugged into the DC 6V socket on the end of the receiver.

Note - if the AC Mains Adapter is used, remove the 4 AA's from the Receiver, failure to do so could result in damage and failure of the Receiver. During a period of power outage, the receiver may be unplugged and batteries returned to the Receiver.

2.4 Replacing the batteries

Handset:

There is a battery level indicator on the display of the handset. When this gets low remove the cover on the rear of the handset and replace the battery with another 9V PP3 battery.

Receiver:

Three short audible beeps will sound when the appliance is on to indicate that the batteries in the receiver are getting low.

When the batteries get very low the appliance will be turned off by the remote control. This will fail to happen if the power supply is interrupted.

To replace the Receiver batteries, slide the cover off of the top of the receiver and use the ribbon to pull the batteries out. Replace the batteries with new 1.5V AA's, ensuring that the ribbon is located under the batteries and that the polarity is correct on all 4 batteries.

Never mix new batteries with old, this will result in the new batteries being emptied very quickly.

When the batteries are replaced, it may be necessary to reset the transmitter code, as detailed in the next section.

2.5 Setting the Transmitter code

Press and hold the RESET button with a sharp object (pen or screwdriver) until you hear two audible beeps. After the second, longer beep, release the RESET button.

Within the next twenty seconds press the down button (Button D fig 1.1) on the remote handset until you hear an additional long signal confirming the code is set.

2.6 To Ignite the appliance

Note - If this appliance is extinguished or goes out in use for any reason, wait 3 minutes before attempting to relight the appliance. The Gas Control Valve has an interlock device which will not allow relighting until the 3 minutes have passed.

To be able to use the Remote control Handset (fig. 1.1), the rocker switch on the Gas Valve, must be turned "ON" (the "1" position) and the manual Dial set to the "On" position.

- Simultaneously press and hold buttons B & C (Star and Large Flame), until a short acoustic beep confirms the start sequence has begun; release the buttons.
- Continuing signals confirm the ignition is in process.
- Once pilot ignition is confirmed, there will be gas flow and the main burner will ignite.
- Repeat process if pilot ignition fails.

User instructions

2.7 To Turn the appliance OFF

Press the OFF button (Button B fig. 1.1) on the Handset. This will extinguish all Burners including Pilot.

Note:- Repeated presses of the small flame (Button D fig. 1.1) will turn the main burner OFF, but will leave the Pilot alight.

2.8 Adjusting the Flame setting

To increase the flame height; press the large flame button (Button C fig. 1.1).

To decrease the flame height; press the small flame button (Button D fig. 1.1).

2.9 N/A

N/A

2.10 Setting °C/24 hour or °F/12 hour clock

Simultaneously press OFF and Small Flame buttons (buttons B & D fig. 1.1) until display changes from Fahrenheit/12 hour clock to Celsius/24 hour clock and vice versa.

2.11 Setting the Time

The display will flash after either:

- a. Installing the battery or
- b. Simultaneously pressing the Large Flame Button and Small Flame Button (buttons C & D fig. 1.1)

Press the Large Flame button (button C fig. 1.1) to set the hour.

Press the Small Flame button (button D fig. 1.1) to set the minutes.

Press OFF (button B fig. 1.1) to return to standard operating mode or simply wait and it will return to standard mode after approximately 15 seconds.

2.12 Cleaning and Maintenance

This appliance should be inspected and serviced once a year by a qualified, competent and registered person. The inspection and maintenance must at least ensure that the appliance is working correctly and safely. It is advisable to clean the appliance of any dust and debris before regularly during the heating season and especially if the appliance has not been used for some time. This can be done with a soft brush and a vacuum cleaner or a damp cloth and if required a non-abrasive cleaning agent. Do not use corrosive or abrasive substances to clean the appliance.

Installation instructions

3. Installation instructions.

Before commencing Installation, confirm that the details on the appliance data plate correspond to the local distribution conditions, gas type and pressure to which the appliance is to be installed.

Ensure that gas supply and supply pipe is capable of delivering the required volume and pressure of gas and is in accordance with the rules in force.

3.1 Gas Connection

This appliance has a gas inlet connection of Ø 8mm or Ø 12mm dependant on country of use

3.2 Ventilation

This appliance is a Balanced Flue room sealed appliance, and as such needs no additional ventilation. However an adequate supply of fresh air to maintain temperatures and a comfortable environment is recommended.

This appliance may be installed in a completely sealed or mechanically ventilated house.

3.3. Installation

3.3.1 Appliance Fireplace Installation (INSET)

Determine the position required for the appliance.

Create a gas connection for the appliance in approximately the correct location for the gas controls.

The gas controls are connected to the Burner of the appliance.

Fine adjustment and leveling legs is available via the feet.

Do not make any adjustments to the appliance.

The appliance and Flue system should be fitted with a minimum clearance of 500mm from any combustible objects or materials; this includes any combustible materials used for the fireplace construction.

As this is a room sealed appliance and the appliance stands on appropriate feet, a hearth is not required for this appliance.

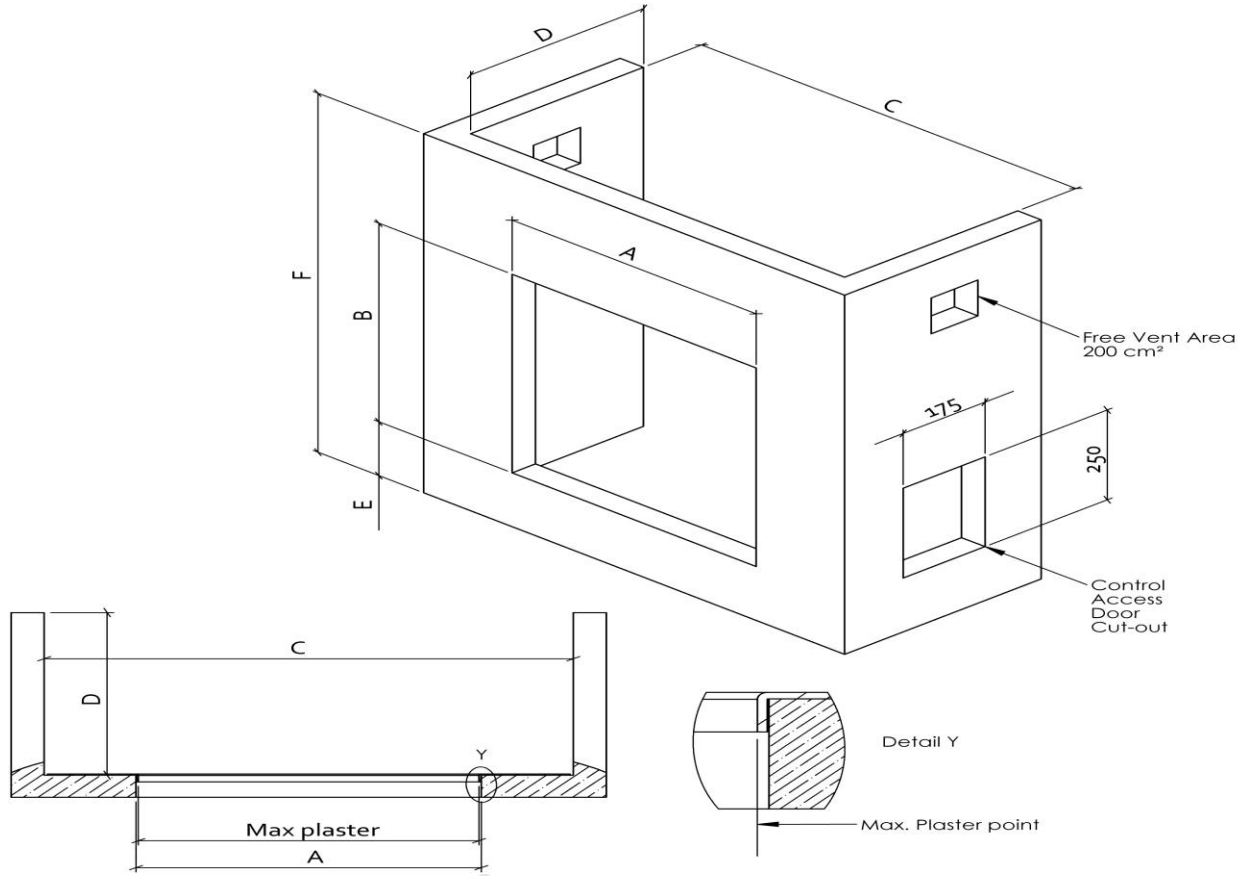
The Fireplace should be ventilated with openings giving a total free vent area of 200 cm².

A gap of 50mm should be left all round the appliance (applies to non-combustible surfaces only).

3.3.2 Appliance installation (Models H15, H45, RH35, H25, H35 AND TQH15)

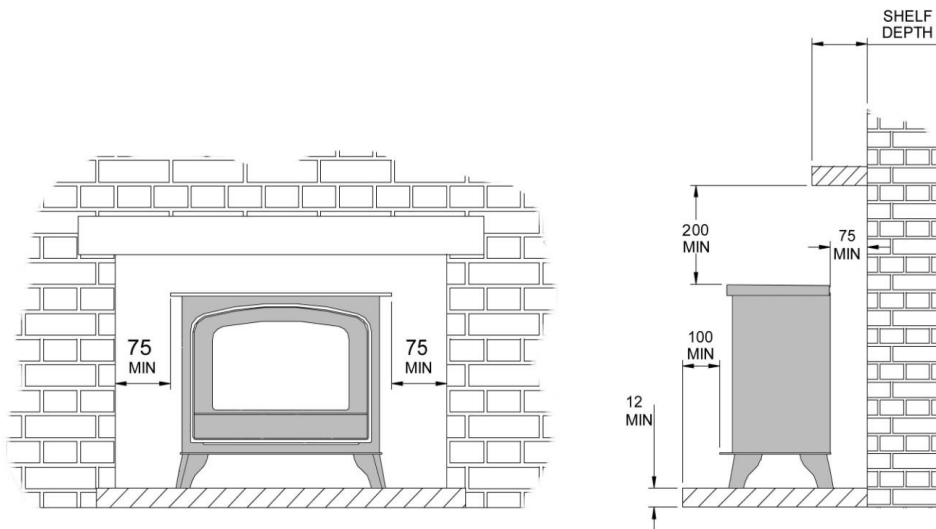
- A non-combustible hearth must be used this hearth must be a minimum of 12mm thick, and project a minimum of 50mm from the base of the appliance in all directions.
- These appliances are not suitable for installation against a combustible wall. A combustible side wall must be a minimum of 75mm from the appliance. (see page 8)
- These appliances can be installed with an up and out flue (vertical wall - horizontal flue) or with a vertical flue with roof termination (see pages 40-45)

Building the Fireplace



A=550 B=600 C=750 D=400 E=100 F=800

Control access door if required



The stove must be located at least 280mm from any combustible materials.

A combustible shelf may be fitted over the appliance, if in the case of a 150mm or less deep shelf, there is at least 280mm clearance above the top of the stove. The shelf depth may increase at the same rate as the increase in clearance; i.e. a shelf depth of 200mm would require a clearance of 330mm.

Installation instructions

3.4 Flue Connection

3.4.1 General notes

This appliance may be installed with a roof terminal (C31) or a wall terminal (C11).

This appliance may only be used with Balanced Flue (otherwise known as Concentric Flue) parts as specified by Nestor Martin. The Nestor Martin specified flue parts have been approved with the appliance. If the appliance is installed on non- Nestor Martin approved parts, Nestor Martin cannot guarantee or accept and responsibility for the proper and safe working of the appliance.

The flue system must be constructed from the appliance upwards, with all joints being fully locked and sealed using the Nestor Martin specified parts.

The certified pipes to use are:

- **Vertical configuration (roof) :**

Pipes US 100/150 mm Metaloterm B.V. with adaptator USAK 2 10 and with the vertical roof terminal USDVC2 10

- **Horizontal configuration (wall) with vertical pipes starting from the appliance :**

Pipes US 100/150 mm Metaloterm B.V. with adaptator USAK 2 10 and with the horizontal wall terminal USDHC2 10

- **Horizontal configuration (wall) starting directly from the appliance with horizontal connections :**

pipes US 100/150 mm Metaloterm B.V. with adaptator USAK 2 10 and with USDSC 10 (terminal SNORKEL)

3.4.2 Timber Frame Construction

Whilst it is possible to install room-sealed appliances in timber frame properties, great care needs to be taken to ensure that the flue assembly does not interfere with the weather proofing qualities of any outer wall which it may penetrate. Before attempting this work, further details need to be referenced, (e.g. "Gas Installations in Timber Frame Buildings" from the Gas Safe installer series in the UK).

3.4.3 Carport or Building Extension

Where a flue terminal is sited within a carport or building extension, it should have at least two completely open and unobstructed sides. The distance between the lowest part of the roof and the top of the terminal should be at least 600mm.

Note: A covered passageway should not be treated as a carport. Flues should not be sited in a covered passageway between properties.

3.4.4 Basements, Lightwells and Retaining walls

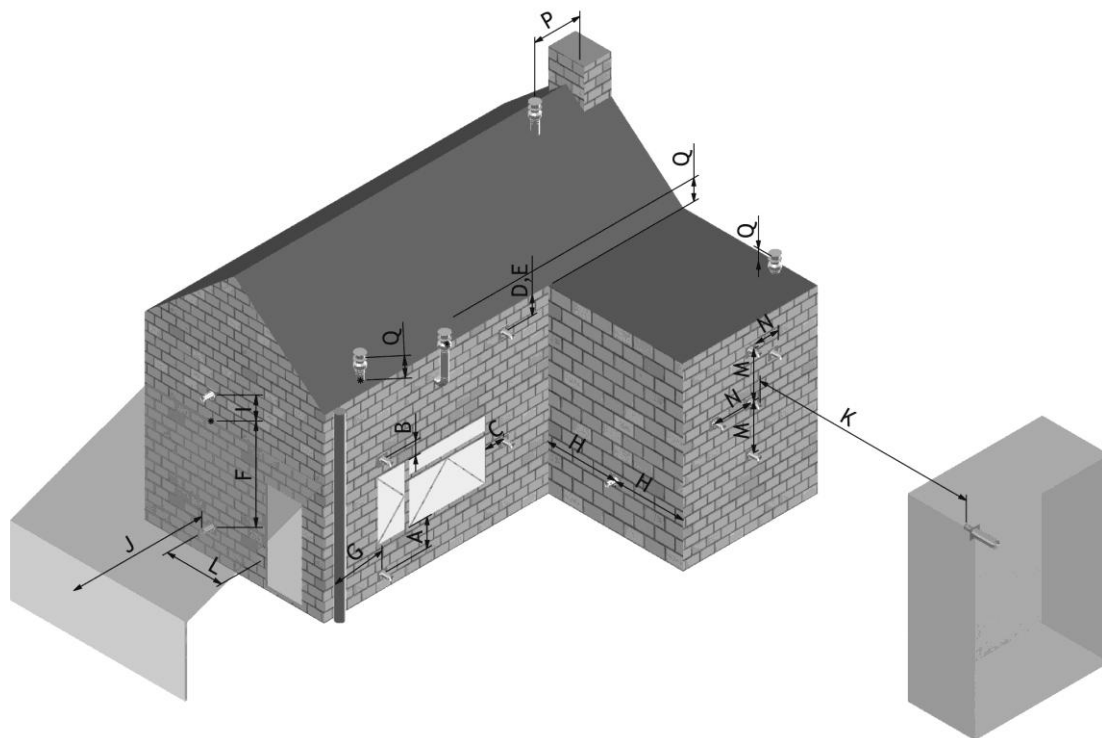
Flue terminals should not be sited within the confines of a basement area, light well or external space formed by a retaining wall, unless steps are taken to ensure the products of combustion can disperse safely at all times. It may be possible to install this Balanced Flue system in such a location provided that it is not sited lower than 1m from the top level of that area to allow combustion products to disperse safely.

Flue terminals should be sited to ensure total clearance of the combustion products in accordance with the included information.

When the products of combustion are discharged, they should not cause a nuisance to adjoining or adjacent properties and they should be positioned so that damage cannot occur to other parts of the building. If the outer wall surface is constructed of combustible material, a non-combustible plate should be fitted behind the terminal projecting 25mm beyond the external edges of the terminal.

Installation instructions

3.4.5 Terminal Locations.



Dimension	Terminal Position	Distance (mm)
A*	Directly below an opening, air brick, opening window etc.	600
B	Above an opening, air brick, opening window etc.	300
C	Adjacent to an opening, air brick, opening window etc.	400
D	Below gutters, soil pipes or drain pipes	300
E	Below eaves	300
F	Below balconies of car port roof	600
G	From a vertical drain pipe or soil pipe	300
H	From an internal or external corner	600
I	Above ground roof or balcony level	300
J	From a surface facing the terminal	600
K	From a terminal facing the terminal	600
L	From an opening in the car port (e.g. door, window into the dwelling)	1200
M	Vertically from a terminal on the same wall	1500
N	Horizontally from a terminal on the same wall	300
P	From a vertical structure on the roof	600
Q	Above intersection with roof	150

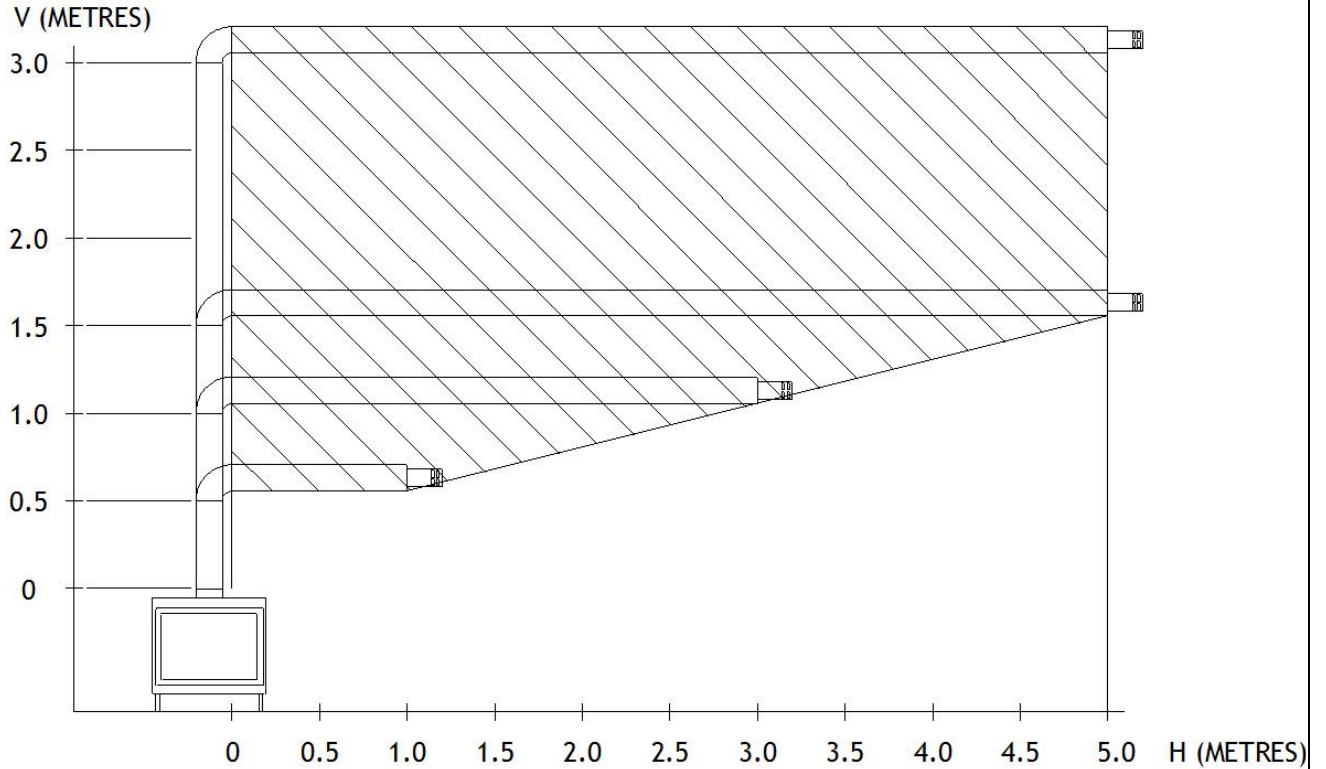
* In addition, the terminal should not be nearer than 300mm to an opening in the building structure formed for the purpose of accommodating a built in element such as a window frame.

Installation instructions

3.4.6 Horizontal Wall Vent Termination type C₁₁

Flue sizing:

: Ø100/150 throughout.



Maximum pipe extension, for outside wall.

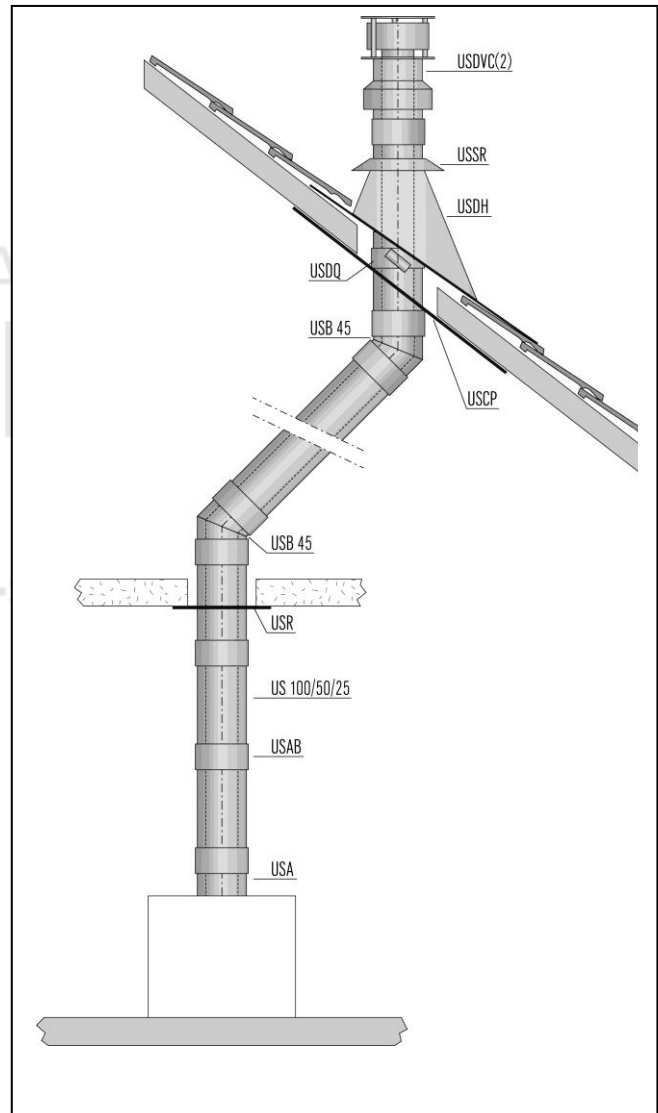
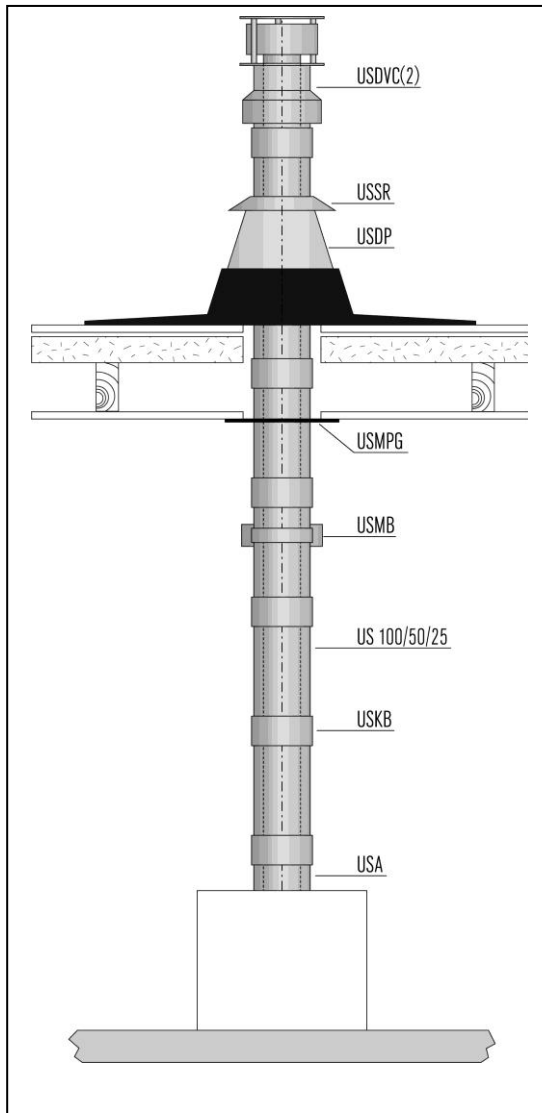
Use shaded area to calculate maximum allowable length (H) for the corresponding pipe rise (V).

Installation instructions

3.4.7 Vertical Roof Vent Termination C₃₁

Flue sizing:

35mm flue restrictor, Ø100/150 Spigot on appliance



When incorporating and horizontal flue runs, these horizontal runs must be less than 0.5 times the overall flue height.

IMPORTANT

Every 45° bend equivalent to 25cm of Horizontal Flue and every 90° bend equivalent to 50cm of Horizontal Flue. When you use HORIZONTAL flue situations, then, for every 1m' of HORIZONTAL you must add 0.5m' of VERTICAL, in addition to the diagram.

Installation instructions

3.5 Commissioning the Appliance

3.5.1 Pilot Ignition Check

1. Ignite the pilot light as described in the User Instructions
2. Check that the pilot flame stays alight
3. Extinguish the pilot light

3.5.2 Main Burner Check

1. Ignite the pilot light as described in the User Instructions
2. Turn on the main burner as described in the User Instructions
3. Check that the pilot smoothly cross-lights to the main burner and that the main burner and pilot stay alight
4. Extinguish the appliance fully

3.5.3 Pressure Check

The appliance is preset to give the correct heat inputs as listed in the technical details. No further adjustment is necessary. Always check the inlet pressure and burner pressure.

1. Turn off the gas valve on the appliance
2. Release the screw on the Inlet Pressure test point on the gas valve and connect a manometer
3. Check that the measured pressure is as the prescribed supply pressure
4. Perform the test when the appliance is burning on full and with only the pilot alight
5. If the pressure is low, check the gas supply pipes are too a correct sizing
6. If the pressure is too high (more than 5 mbar over) the appliance may be installed, but the gas supply company should be contacted
7. Release the screw on the Burner Pressure test point on the gas valve and connect a manometer
8. Check that the measured pressure is as detailed in the Technical details
9. The measured value should be within +/- 10% of the described value. If this is not the case, please contact the supplier.

Note: After checking the pressures and removing the manometers, the screws in the Pressure Test points must be closed, and the system must be checked for gas-tightness.

Servicing

4. Servicing

Turn the appliance OFF and isolate the gas supply. Ensure the appliance is fully cold before attempting to start servicing the appliance. No liability can be accepted by Nestor Martin for injury caused by burning or scolding by a hot appliance.

A suggested procedure for servicing is listed below.

- A. Open the door
- B. Carefully remove the Ceramic components (including Embers) or Gravels
- C. Use a Vacuum cleaner to clean the top of the burners and grate
- D. Remove Grate
- E. Using a vacuum cleaner, fully clean the burner. The Pilot assembly is now clearly visible. Use the vacuum cleaner and a soft brush to clean the pilot assembly. Never modify or bend the Thermocouple
- F. Turn on the gas supply and check for leaks, check the burner and Pilot for good condition and operation
- G. Replace Grate
- H. Replace the Firebed arrangements
- I. Close the door
- J. Check the flue system and terminal, making sure that the terminal vent is fully clear
- K. Light the appliance and test setting pressures
- L. Check the safe operation of the appliance.

4.1 Cleaning the Ceramics

Remove the ceramics as detailed in A - B above.

Gently clean the ceramics in the open air, using a soft brush and a vacuum cleaner. Where necessary replace damaged components only with genuine Nestor Martin specified parts. Seal any scrap ceramics in plastic bags and dispose at proper refuse sites. When using a vacuum cleaner, it is recommended that one with a HEPA filtering system is used.

Re-fit the Firebed arrangement, re-seal the appliance and check the safe operation of the appliance.

4.2 Servicing the Burners

The pilot is now clearly visible, the pilot, including the Thermocouple, can be replaced/serviced by removing raising the pilot assembly from its mounting. This is done by removing the two nuts (M5, 8mm spanner) followed by removing the pilot shield and the pilot clamp.

To access the Burner Injector, the Burner must be removed. This is done by removing the four bolts (M6, 10mm spanner) holding the burner in. With these four bolts removed, the Burner base can be raised up through the Firebox, and the Injectors can be easily accessed.

When replacing any parts use only original Nestor Martin specified parts.

4.3 Spare parts

For spare parts contact Nestor Martin quoting the name and part number of the appliance and the type of spare part you require.

Contenu

1. Notes générales	17
2. Instructions d'utilisation.	18
2.1 Avant allumage	18
2.2 La télécommande	18
2.3 Batteries	19
2.4 Remplacement des batteries	19
2.5 Activation du code de transmission	19
2.6 Allumage de l'appareil	19
2.7 Eteindre d'appareil	20
2.8 Ajustement des flammes	20
2.9 N/A	20
2.10 Réglage des unités °C/24 ou °F/12	20
2.11 Réglage de l'heure	20
2.12 Nettoyage et entretien	20
3. Instructions d'installation.	21
3.1 Connection au gaz	21
3.2 Ventilation	21
3.3 Installation	21
3.4 Connection des buses	23
3.5 Mise en service de l'appareil	27
4. Entretien	28
4.1 Nettoyage des bûches en céramique	28
4.2 Entretien des brûleurs	28
4.3 Pièces détachées	28
5. Placement des imitations bûches	29
6. Dimensions	41
7. Informations techniques	47
7.1. Pays concernés	47
7.2. Données techniques	49

Notes générales

1. Notes générales

Ce poêle à gaz possède un rendement élevé et doit être raccordé à des buses concentriques (poêle ventouse) Cet appareil chauffe par rayonnement et par convection en utilisant la dernière technologie de brûleur céramique.

Avant installation, vérifiez les conditions de distribution locales, la nature du gaz et sa pression et si l'appareil est compatible avec ces conditions.

Cet appareil est destiné à être utilisé sur une installation de gaz avec un compteur régie. **Cette installation doit être réalisée uniquement par un professionnel compétent et agréé.** L'installation doit se conformer aux exigences et règlements de construction locaux et nationaux et aux normes nationales. Le manuel d'installation doit également être suivi.

Assurez-vous que le terminal de fumées ne soit en aucune façon obstrué ou contient de la végétation comme arbres, arbustes, déchets, ... et qu'aucun objet ne se penche ou se rapproche des terminaux

Toujours nettoyer la vitre avant allumage. Les empreintes de doigts doivent être enlevées car si elles brûlent sur la vitre elles risquent de ne plus pouvoir être enlevées.

Attention : Ne pas faire fonctionner l'appareil si la vitre est cassée (ou craquelée, fissurée, ...), enlevée ou ouverte.

Cet appareil est destiné à se raccorder à de nombreuses situations d'installation comme décrit dans ce manuel. Cependant seules les buses certifiées par Nestor Martin ou Don Bar et donc décrites dans ce manuel d'installation peuvent être utilisées. Cet appareil est un poêle ventouse et est donc étanche par rapport à la pièce ce qui veut dire qu'il ne nécessite aucune ventilation supplémentaire pour fonctionner. Cependant, un apport adéquat d'air frais pour maintenir les températures de la pièce et un environnement confortable est recommandé. Cet appareil est un appareil de chauffage et peut devenir très chaud durant son fonctionnement. Toutes les surfaces (sauf les éléments de contrôle et portes d'accès associées) sont considérées comme des surfaces chaudes et ne peuvent être touchées. La vitre et alentours ne présente pas de garde contre un contact accidentel. Il est donc nécessaire de placer une protection approuvée devant cette zone afin d'éviter aux enfants, personnes âgées et personnes à mobilité réduite un contact accidentel

Ne placez pas de rideaux, linge, meubles, etc. à moins 600 mm de cet appareil (distance de sécurité minimale).

Ne pas essayer de brûler des ordures dans cet appareil.

Si cet appareil est éteint, aucune tentative de le rallumer ne doit être effectuée dans les 3 minutes

Instructions d'utilisation

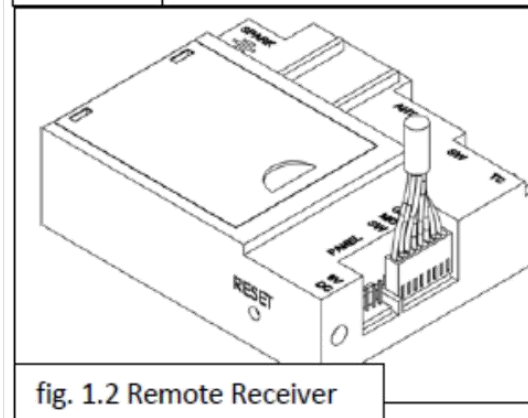
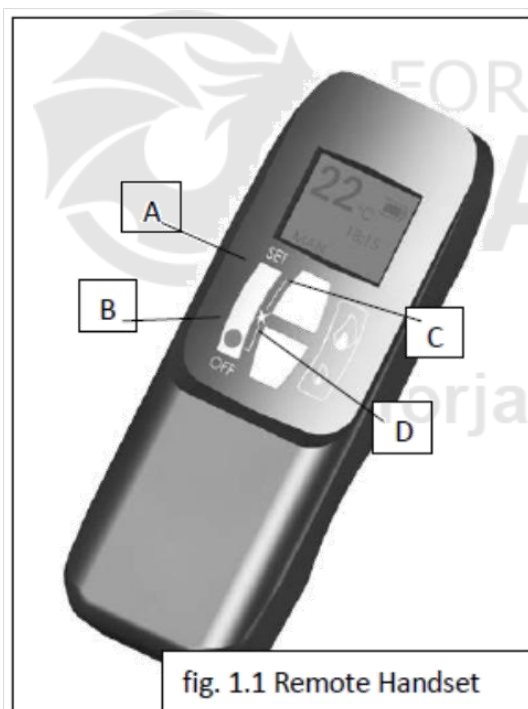
2. Instructions d'utilisation.

2.1 Avant allumage

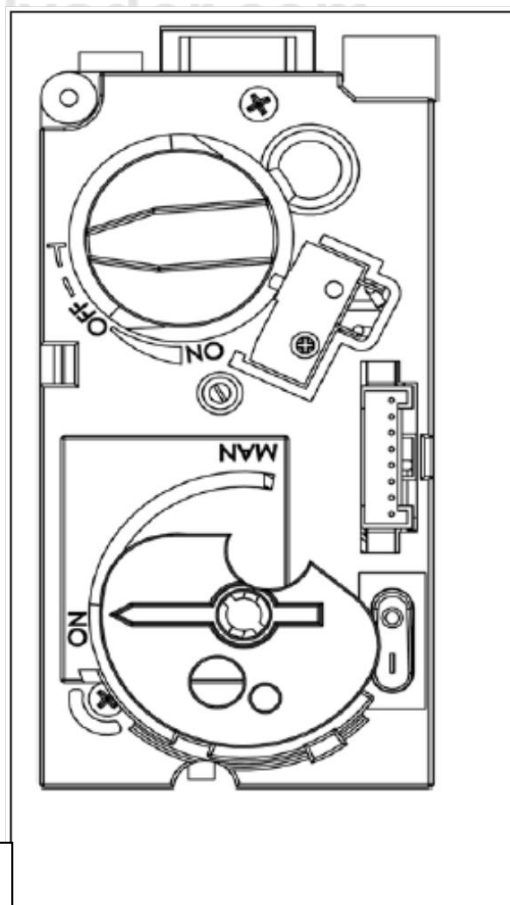
Avant d'allumer l'appareil, assurez-vous que tous les emballages, autocollants de sécurité et tout emballage de protection soient enlevés. La vitre doit être propre et sans traces de doigts.

Assurez-vous que la pièce soit ventilée adéquatement pour la première mise à feu. Nous recommandons d'ouvrir si possible les fenêtres. Faire fonctionner l'appareil au maximum pendant quelques heures pour permettre à la totalité de la peinture de recuire. Durant cette période il est possible que des fumées et vapeurs se forment autour de l'appareil et il est conseillé de vous tenir ainsi que les enfants et animaux à l'écart.

2.2 La télécommande



Cet appareil est équipé d'un contrôle par télécommande de technologie avancée. Il est composé de trois parties; la télécommande (fig. 1.1), le récepteur (fig. 1.2) et la vanne gaz qui possède aussi un contrôle manuel (fig. 1.3). La vanne gaz et le récepteur se trouvent derrière la porte d'accès et c'est aussi à cet endroit que la plaquette signalétique de l'appareil se trouve.



Instructions d'utilisation

2.3 Batteries

Télécommande:

1 x 9V "PP3" piles, Qualité alcaline recommandée

Récepteur:

4 x 1.5V "AA", Qualité alcaline recommandée pour une durée maximale.

2.4 Remplacement des batteries

Télécommande :

Il y a un indicateur de niveau de batteries sur l'écran de la télécommande. Quand ce niveau est bas, retirez le couvercle à l'arrière de la télécommande et remplacez les piles par des nouvelles 9V PP3

Récepteur :

Trois petits bips sonores vous avertiront quand l'appareil est allumé pour vous avertir que la batterie du récepteur est faible.

Quand les batteries sont très faibles, l'appareil s'éteint.

Pour remplacer les piles du récepteur, retirez le couvercle en le faisant glisser and utilisez la languette pour retirer les piles. Remplacer les piles par des nouvelles 1.5V AA et s'assurer que la languette soit bien située en dessous des piles. Vérifiez aussi la polarité des piles

Ne pas mélanger d'anciennes et de nouvelles piles car les nouvelles piles vont se décharger très rapidement

Quand les batteries sont remplacées, il est nécessaire de réactiver le code de transmission, voir paragraphe suivant.

2.5 Activation du code de transmission

Appuyez et gardez appuyé le bouton reset du récepteur avec un objet pointu (crayon ou tournevis) jusqu'à entendre deux sons (bips sonores). Après le deuxième (long bip), relâchez le bouton reset.

Durant les prochaines 20 secondes, appuyez sur le bouton D de la télécommande (petite flamme) jusqu'à entendre un autre long signal sonore confirmant que le code de transmission est bien activé.

2.6 Allumage de l'appareil

Note – Si l'appareil s'est éteint et/ou a arrêté de fonctionner pour une raison ou une autre, attendez 3 minutes avant de l'allumer. La vanne gaz possède une sécurité qui empêche le ré allumage tant que 3 minutes ne se soient écoulées.

Afin d'utiliser la télécommande pour allumer l'appareil, les 2 boutons de commande de la vanne gaz doivent se trouver sur la position ON

- Appuyez simultanément et tenir appuyé les deux boutons B et C de la télécommande (étoile et grande flamme) jusqu'à ce qu'un court bip sonore confirme que la séquence de démarrage a bien commence puis relâchez ces deux boutons.
- Plusieurs courts signaux intermittents confirment que la séquence de démarrage se poursuit
- Quand la veilleuse est allumée, le gaz pourra entrer automatiquement dans le brûleur.
- Si la flamme de la veilleuse d'éteint, répétez l'opération de démarrage.

Instructions d'utilisation

2.7 Eteindre d'appareil

Appuyez sur le bouton OFF (Bouton B fig. 1.1) de la télécommande. Cela va éteindre tous les brûleurs y compris la veilleuse.

Note:- Si vous appuyez quelques fois sur le bouton petite flamme (Bouton D fig. 1.1), le brûleur principal va s'éteindre mais la veilleuse restera allumée

2.8 Ajustement des flammes

Pour augmenter la hauteur des flammes, appuyez sur le bouton grande flamme (Bouton C fig. 1.1).

Pour diminuer la hauteur des flammes, appuyez sur le bouton petite flamme (Bouton D fig. 1.1).

2.9 N/A

N/A

2.10 Réglages des unités °C/24 ou °F/12

Appuyez simultanément sur le bouton OFF et sur le bouton petite flamme (boutons B & D fig. 1.1) jusqu'à ce que l'écran passe de l'unité Fahrenheit / 12 heures ou Celsius / 24 heures et inversement.

2.11 Réglage de l'heure

Cet écran apparaîtra quand :

- vous changez les piles de la télécommande ou
- Vous appuyez simultanément sur les boutons grande flamme et petite flamme (boutons C & D fig. 1.1)

Appuyez sur le bouton grande flamme pour le réglage de l'heure (bouton C fig. 1.1).

Appuyez sur le bouton petite flamme pour régler les minutes (bouton D fig. 1.1).

Pour revenir à l'écran principal, appuyez sur OFF (bouton B fig. 1.1) ou simplement attendre 15 secondes que l'écran revienne automatiquement au menu principal.

2.12 Nettoyage et entretien

Cet appareil doit être inspecté et remis en service tous les ans et par une personne compétente et agréée. L'inspection et la maintenance doivent au moins permettre à l'appareil de fonctionner correctement et en sécurité. Il est conseillé de nettoyer l'appareil de toutes les poussières et débris pendant la saison estivale et surtout si l'appareil n'a pas été utilisé depuis longtemps. Cela peut être réalisé par une brosse douce et un aspirateur ou un chiffon avec une lotion nettoyante. Ne pas utiliser de substances corrosives ou abrasives pour nettoyer votre appareil.

Instructions d'installation

3. Instructions d'installation.

Avant de débiter l'installation, vérifiez que les données techniques inscrites sur la plaquette signalétique corresponde aux conditions de distribution locales, type de gaz et pression pour lesquels l'appareil devra être installé.

Assurez-vous que l'alimentation de gaz et que le tuyau d'alimentation soient capables de fournir le volume et pression de gaz requis et ce en accord avec la législation en vigueur.

3.1 Connection au gaz

Cet appareil possède une connexion au gaz de Ø 8mm ou Ø 12mm en fonction du pays de destination.

3.2 Ventilation

Cet appareil est un poêle ventouse et est donc étanche par rapport à la pièce ce qui veut dire qu'il ne nécessite aucune ventilation supplémentaire pour fonctionner. Cependant, un apport adéquat d'air frais pour maintenir les températures de la pièce et un environnement confortable est recommandé.

Cet appareil peut être installé dans une maison complètement étanche et ventilée.

3.3 Installation

3.3.1 Installation de l'appareil dans la cheminée (INSERT, modèle IQ35)

Déterminer la position requise pour l'appareil

Créer la connexion gaz pour l'appareil au niveau de l'emplacement des boutons de contrôle du gaz

Les contrôles du gaz sont connectés au brûleur de l'appareil

Ajuster précisément l'appareil et placez des pieds éleveurs si nécessaire

Ne pas modifier les ajustements de l'appareil

L'appareil et l'évacuation des fumées doivent être placés avec une distance de sécurité de minimum 500 mm de tout élément ou objet combustible incluant aussi les matériaux combustibles utilisés pour la construction de la cheminée (âtre)

La cheminée doit être ventilée avec des ouvertures d'une surface de 200 cm²

Un jeu de 50 mm doit être laissé tout autour de l'appareil (applicable pour les surfaces non combustibles uniquement)

3.3.2 Appliance installation (Models H15, H45, RH35, H25, H35 AND TQH15)

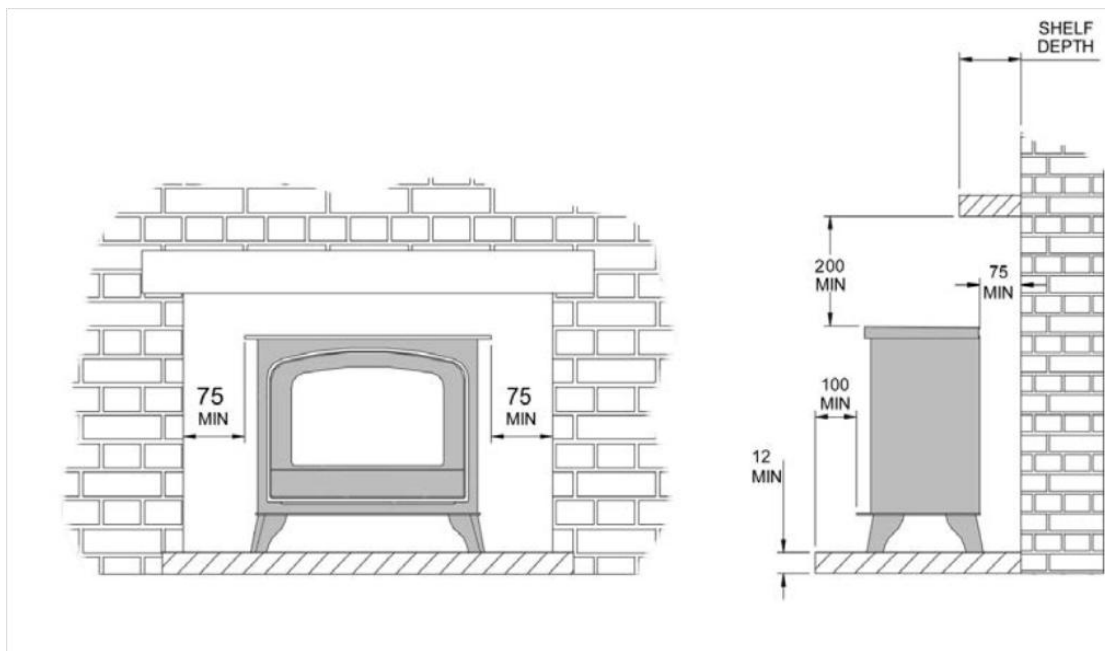
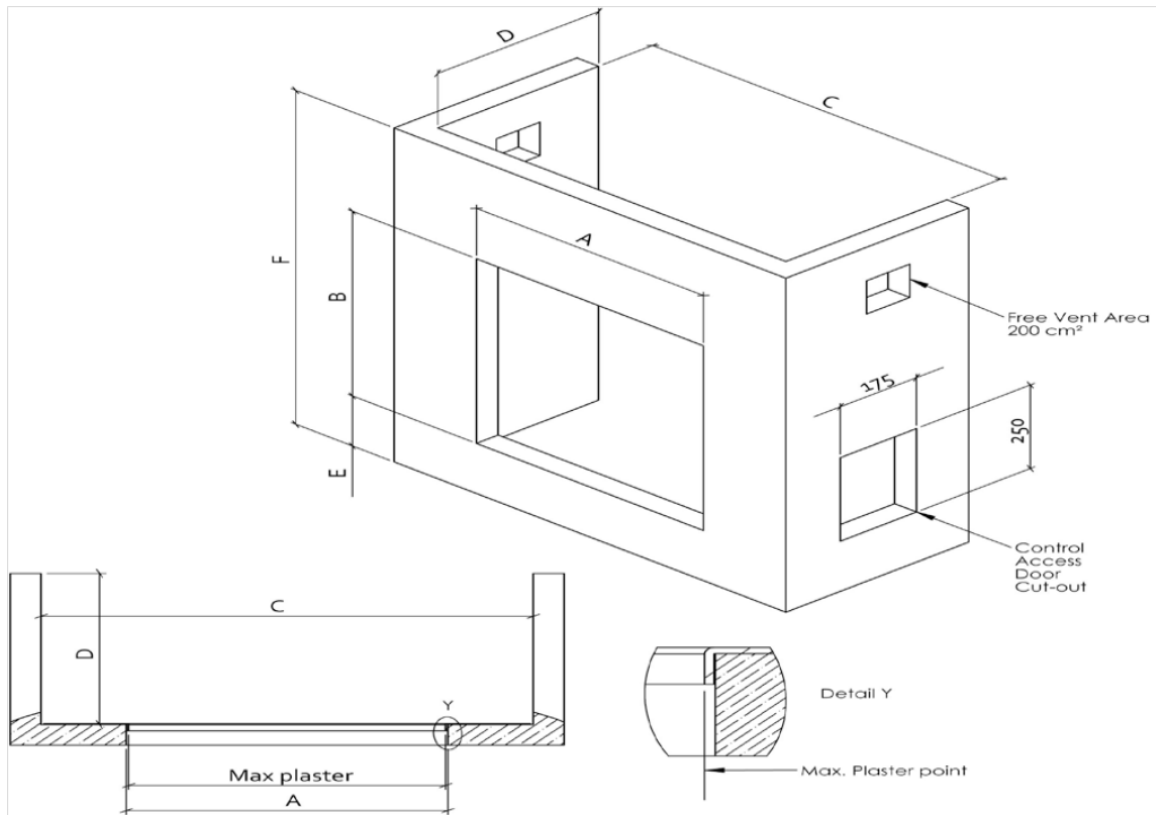
- Un sol non combustible avec une épaisseur de 12 mm doit être présent et doit dépasser d'une distance de 50 mm de la projection vers le bas de l'appareil dans toutes les directions

- Cet appareil ne doit pas être installé contre une paroi combustible. Une distance de 75 mm minimum doit être respectée à partir de l'appareil (voir page 8).

- Ces appareils peuvent être raccordés avec une buse verticale ou horizontale (sauf TQH 15). Des terminaux spécifiques sont obligatoires (voir pages 26-31)

Construction de la cheminée

A=550 B=600 C=750 D=400 E=100 F=800
Si nécessaire, porte d'accès pour vérification



L'appareil doit être placé à au moins 280 mm de tout élément combustible.
Une tablette (shelf) combustible peut-être installée au-dessus de l'appareil. Pour une profondeur de cette tablette de 150 mm ou moins, une distance de sécurité de 280 mm minimum doit être respectée au-dessus de l'appareil. La profondeur de la tablette peut augmenter au même titre que la distance de sécurité. Par exemple, pour une profondeur de tablette de 200 mm, la distance de sécurité est de 330 mm.

Instructions d'installation

3.4 Connection des buses

3.4.1 Notes générales

L'appareil doit-être installé avec un terminal vertical de toit (C31) ou un terminal horizontal de mur (C11)

Cet appareil doit obligatoirement être raccordé avec des buses concentriques spécifiées par Nestor Martin. Ces buses concentriques spécifiques ont été agréées avec les appareils. Si l'appareil n'est pas installé avec les buses spécifiques, le fabricant ne pourra ni accepter la responsabilité ni garantir un fonctionnement propre et en sécurité de l'appareil

Les buses d'évacuation de fumées doivent être construites vers le haut et avec toutes les jonctions étanches et verrouillées en utilisant les pièces certifiées par Nestor Martin.

Les buses certifiées à utiliser sont :

- Configuration verticale (toit) :

Buses US 100/150 mm Metaloterm B.V. avec adaptateur USAK 2 10 et avec le terminal vertical USDVC2 10 (toit)

- Configuration horizontale (mur) avec départ vertical au-dessus du poêle :

Buses US 100/150 mm Metaloterm B.V. avec adaptateur USAK 2 10 et avec le terminal horizontal USDHC2 10 (mur).

- Configuration horizontale (mur) avec départ horizontal du poêle :

Buses US 100/150 mm Metaloterm B.V. avec adaptateur USAK 2 10 et avec le USDSC 10 (terminal SNORKEL)

3.4.2 Car port ou extension de l'habitation

Dans le cas où le terminal se situe au niveau d'un capot ou d'une extension de l'habitation, il doit y avoir au moins deux ouvertures complètes et non obstruées. La distance entre la partie la plus basse du toit et le sommet du terminal doit être d'au moins 600 mm

Note: un passage couvert ne doit pas être considéré comme un capot, les buses ne peuvent pas être placées dans un passage couvert

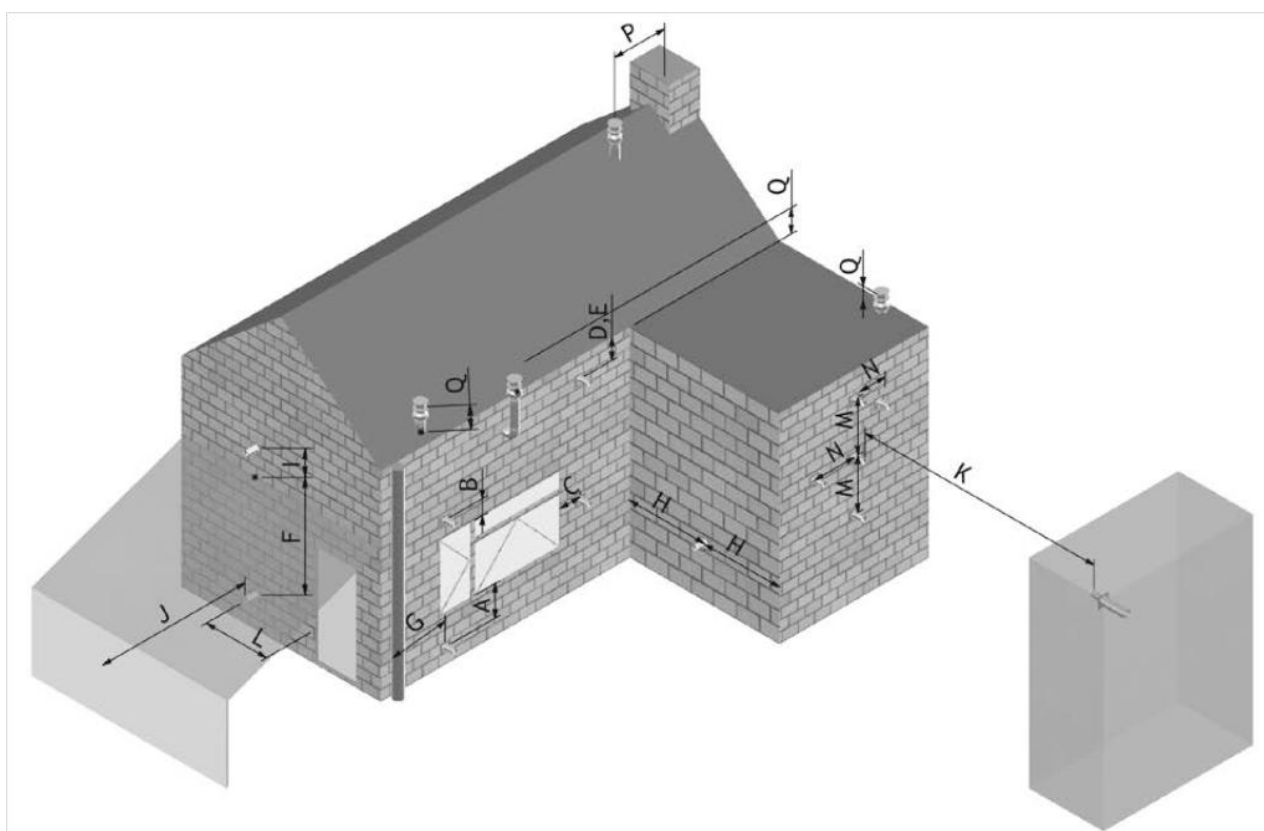
3.4.3 Sous-sols, puits de lumière et murs de soutènement

Les terminaux de fumée ne doivent pas être situés dans les limites d'une zone de sous-sol, puits de lumière ou dans l'espace externe formée par un mur de soutènement, à moins que des mesures soient prises pour s'assurer que les produits de combustion peuvent se disperser en toute sécurité en tout temps. Il peut être possible d'installer ce système de combustion dans un tel endroit à condition que la distance ne soit pas inférieure à 1m du niveau supérieur de cette zone pour permettre aux produits de combustion de se disperser en toute sécurité. Les terminaux de fumée doivent être situés pour assurer un dégagement total des produits de combustion et en conformité avec les informations suivantes.

Lorsque les produits de la combustion sont évacués, ils ne devraient pas causer de nuisances pour les bâtiments adjacents et ils doivent être positionnés de sorte qu'aucun dommage ne peut se produire à d'autres parties du bâtiment. Si la surface d'une paroi externe est constituée d'un matériau combustible, une plaque non combustible doit être montée derrière le terminal et elle doit dépasser de 25 mm au-delà des bords externes du terminal.

Instructions d'installation

3.4.4 Localisation des terminaux.



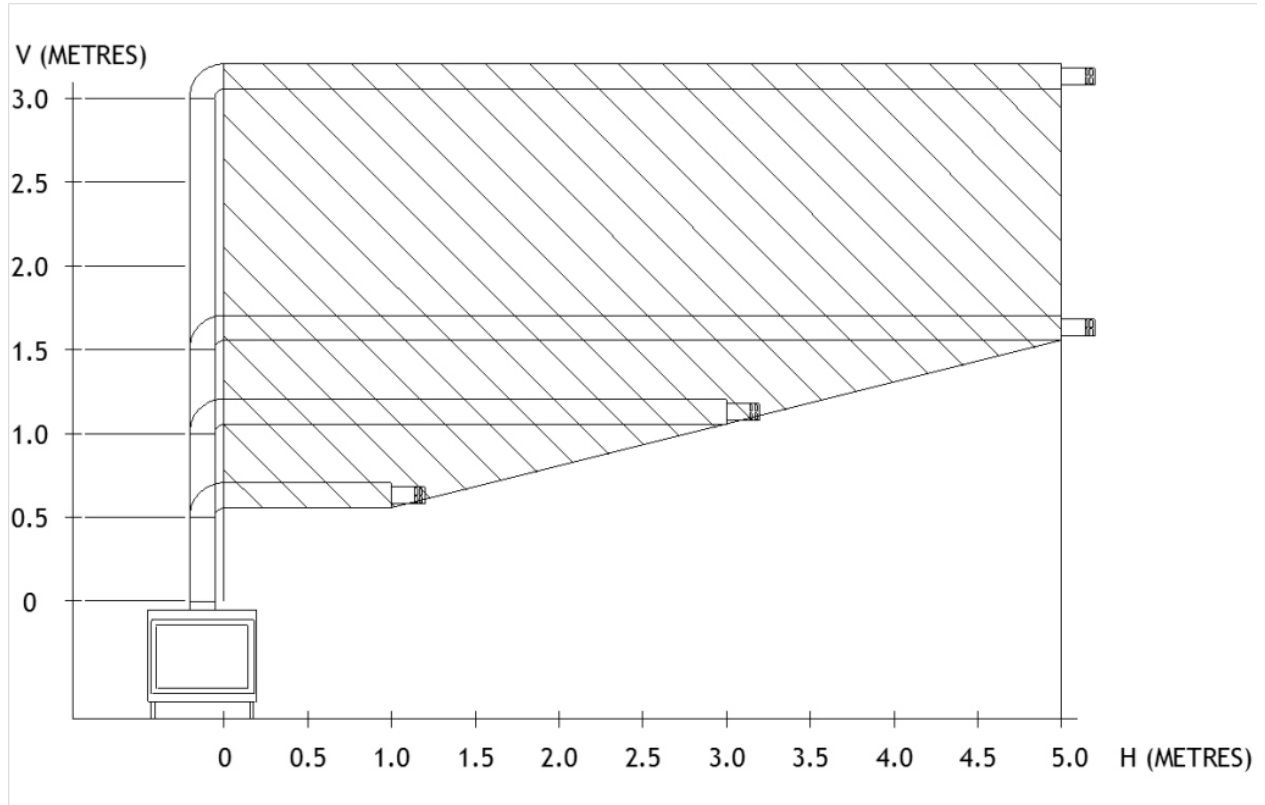
Dimension	Position du terminal	Distance (mm)
A*	En-dessous d'une ouverture, brique de ventilation, fenêtre, ...	600
B	Au-dessus d'une ouverture, brique de ventilation, fenêtre, ...	300
C	Adjacent à une ouverture, brique de ventilation, fenêtre, ...	400
D	En-dessous des gouttières, tuyaux de sol ou de drainage	300
E	En-dessous d'un avant-toit	300
F	En-dessous d'un balcon ou du toit d'un capot	600
G	Par rapport à une gouttière verticale ou tuyau de sol	300
H	Par rapport à un coin intérieur ou extérieur	600
I	Au-dessus d'un toit de terre, toit plat ou d'un balcon	300
J	Par rapport à une surface en face du terminal	600
K	En face d'un autre terminal	600
L	D'ouverture dans le car port (porte, fenêtre vers l'habitation)	1200
M	Distance verticale entre deux terminaux dans le même mur	1500
N	Distance horizontale entre deux terminaux dans le même mur	300
P	Par rapport à une structure verticale dans le toit	600
Q	Au-dessus de l'intersection avec un toit	150

* En plus, le terminal ne doit pas se trouver à moins de 300 mm d'une ouverture dans la structure du bâtiment formé dans le but de loger un élément construit comme un cadre de fenêtre.

Instructions d'installation**3.4.5 Sortie des fumées à travers un mur (terminal horizontal) type C11**

Taille des buses :

buses US Ø 100/150



Longueur maximale des buses, pour configuration à travers un mur extérieur.

Utiliser la zone hachurée pour calculer la longueur maximale horizontale (H) en fonction de la hauteur verticale (V).

L'ajout de buses horizontales ne peut pas dépasser 0.5 fois la hauteur de buses verticales.

IMPORTANT

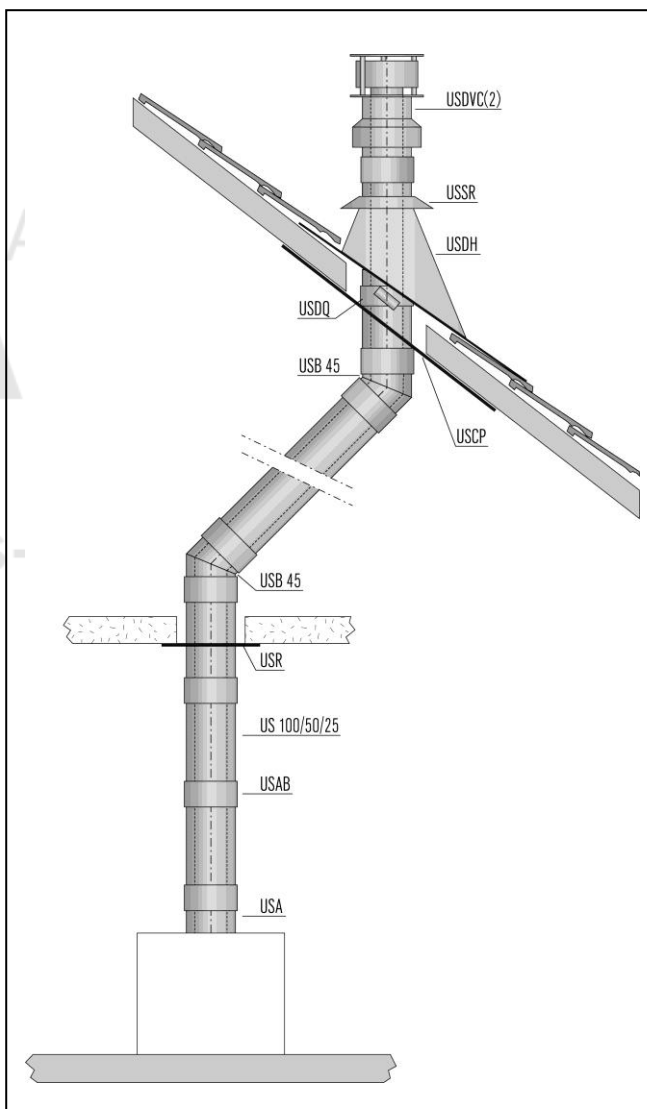
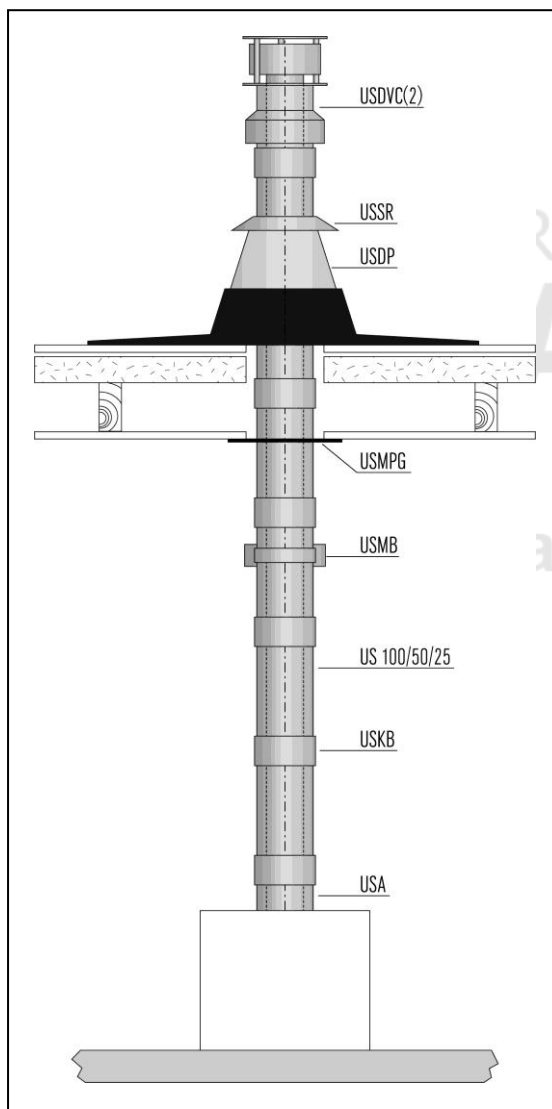
Chaque coude à 45° correspond à 25 cm de buse horizontale et chaque coude à 90° correspond à 50 cm de buses horizontales. Pour 1 m de buse horizontale il faut ajouter 0.5 m de buse verticale. Pour des configurations plus compliquées, il faut donc ajouter cela au diagramme ci-dessous

Instructions d'installation

3.4.6 Sortie des fumées à travers le toit (terminal vertical) type C31

Taille des buses :

Avec une restriction de flux de D 35mm, buses de Ø100/150



Instructions d'installation

3.5 Mise en service de l'appareil

3.5.1 Vérification de l'allumage de la veilleuse

1. Allumer la veilleuse comme décrit dans les instructions d'utilisation
2. Vérifier que la veilleuse reste bien allumée
3. Eteindre la veilleuse

3.5.2 Vérification du brûleur principal

1. Allumer la veilleuse comme décrit dans les instructions d'utilisation
2. Allumer le brûleur comme décrit dans les instructions d'utilisation
3. Vérifier que la veilleuse allume doucement le brûleur et que le brûleur reste allumé
4. Eteindre complètement l'appareil

3.5.3 Test de pression

L'appareil est réglé pour fournir la puissance correcte comme indiqué dans les données techniques. Aucun ajustement n'est nécessaire par la suite. Toujours vérifier la pression d'entrée et la pression du brûleur.

1. Placer la vanne de l'appareil en position off
2. Enlever la vis au niveau de l'emplacement de test de la pression d'entrée et connecter à un monomètre.
3. Vérifier que la pression d'entrée mesurée soit bien la même que celle indiquée dans les données techniques
4. Réaliser le test quand l'appareil fonctionne au maximum et quand seulement la veilleuse est allumée.
5. Si la pression est faible, vérifier si les tuyaux d'amenée de gaz sont bien de la bonne taille.
6. Si la pression est trop importante (plus de 5 mbar au-dessus) l'appareil peut être installé mais le fournisseur de gaz doit être contacté.
7. Enlever la vis au niveau du test de pression du brûleur de la vanne gaz et connecter un manomètre
8. Vérifier que la pression soit la même que celle détaillée dans les données techniques
9. La valeur mesurée doit se trouver entre +/- 10% de la valeur indiquée. Dans le cas contraire, contactez le fabricant.

Note : après avoir vérifié les pressions et enlevé les manomètres, les vis au niveau des points de test doivent être replacées et le système doit être vérifié pour assurer l'étanchéité du gaz.

Entretien

4. Entretien

Eteindre l'appareil et isoler l'arrivée de gaz. Assurez-vous que l'appareil est bien froid avant de commencer l'entretien. Aucune responsabilité ne peut être acceptée par Nestor Martin pour le préjudice causé par des brûlures causées par un appareil chaud.

La procédure suggérée pour l'entretien est décrite ci-dessous :

A. Ouvrir la porte

B. Doucement retirer les composants en céramique (incluant charbon) ou pierres (le cas échéant)

C. Utiliser un aspirateur pour nettoyer le dessus du brûleur et la grille

D. Retirer la grille

E. Utiliser un aspirateur, nettoyer complètement le brûleur. L'ensemble veilleuse est alors clairement visible. Utiliser un aspirateur et une brosse souple pour nettoyer l'ensemble veilleuse. Ne jamais modifier ou plier le thermocouple.

F. Ouvrir l'arrivée de gaz afin de vérifier les fuites, vérifier ensuite le bon fonctionnement du brûleur et de la veilleuse, pour une bonne utilisation et opération future.

G. Replacer la grille

H. Replacer tous les composants en céramique

I. Fermer la porte

J. Vérifier les buses et le terminal, s'assurer que le terminal soit bien propre et non obstrué.

K. Allumer l'appareil et tester les pressions

L. Vérifier le fonctionnement de l'appareil

4.1 Nettoyage des céramiques

Enlever les céramiques comme détaillé ci-dessus (A-B)

Doucement nettoyer les céramiques dans un endroit aéré (à l'extérieur), utiliser une brosse souple et un aspirateur (recommandé avec un filtre HEPA). Si nécessaire, remplacer les composants endommagés par ceux spécifiés par Nestor Martin. Emballer dans des sacs en plastique et emmener les composants défectueux dans les sites appropriés.

Replacer les fausses bûches et vérifier le fonctionnement sûr de l'appareil.

4.2 Entretien du brûleur

La veilleuse, incluant le thermocouple, peuvent être remplacés / entretenus en enlevant l'ensemble de son support. Pour cela il faut enlever 2 écrous (M5 clé de 8mm) et enlever le bouclier de la veilleuse et la pince

Pour accéder à l'injecteur du brûleur, il faut retirer ce dernier. Pour cela il faut enlever 4 boulons (M6, clé de 10) qui maintiennent le brûleur. Le brûleur peut ensuite être enlevé donnant ainsi accès à l'injecteur.

Utiliser et remplacer toujours par des pièces spécifiées par Nestor Martin

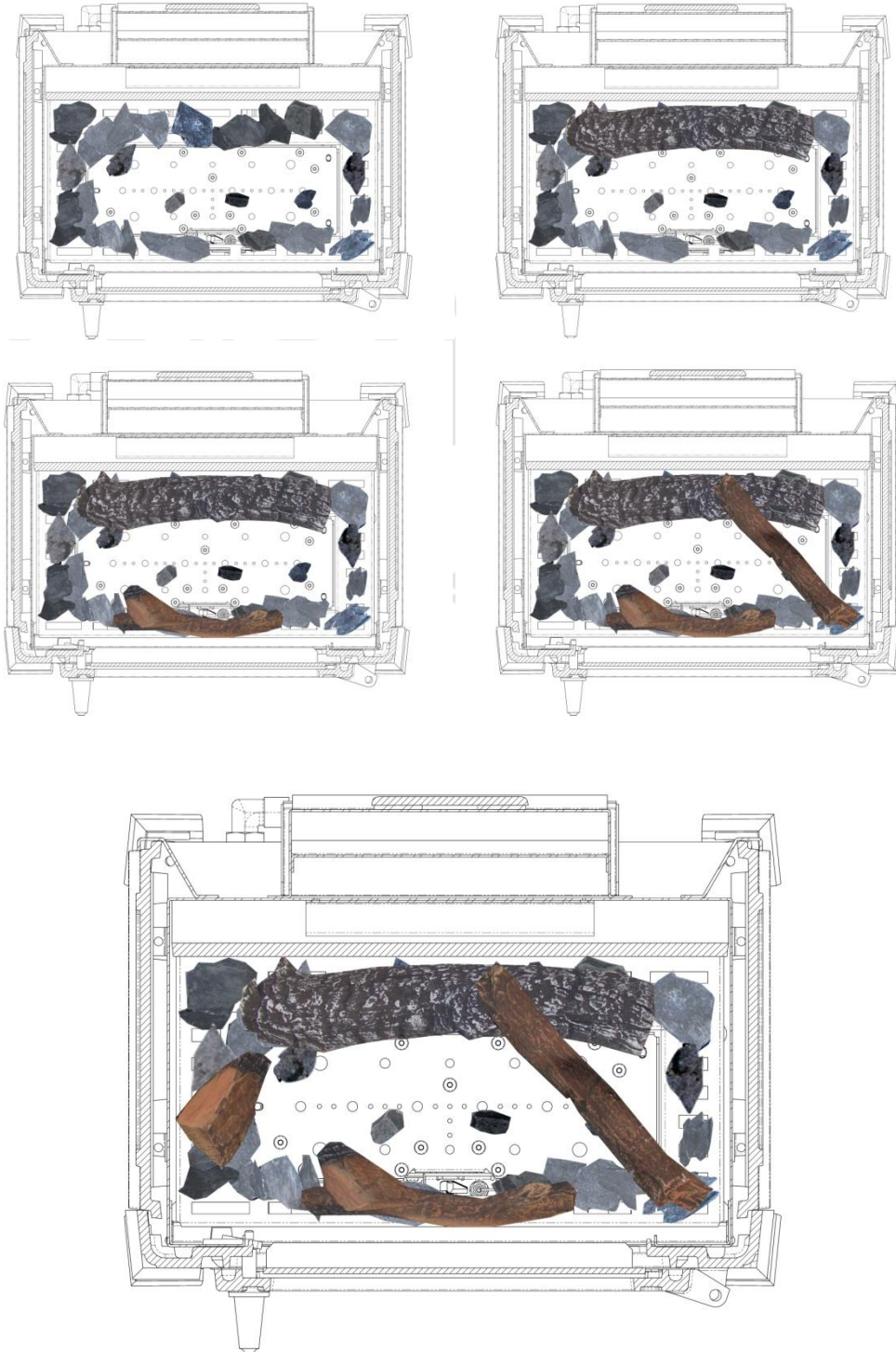
4.3 Pièces détachées

Pour les pièces détachées, contacter Nestor Martin en fournissant les références de l'appareil et les informations concernant la pièce détachée que vous désirez.

Fuel Bed Arrangements / Arrangement du lit de braises et des bûches

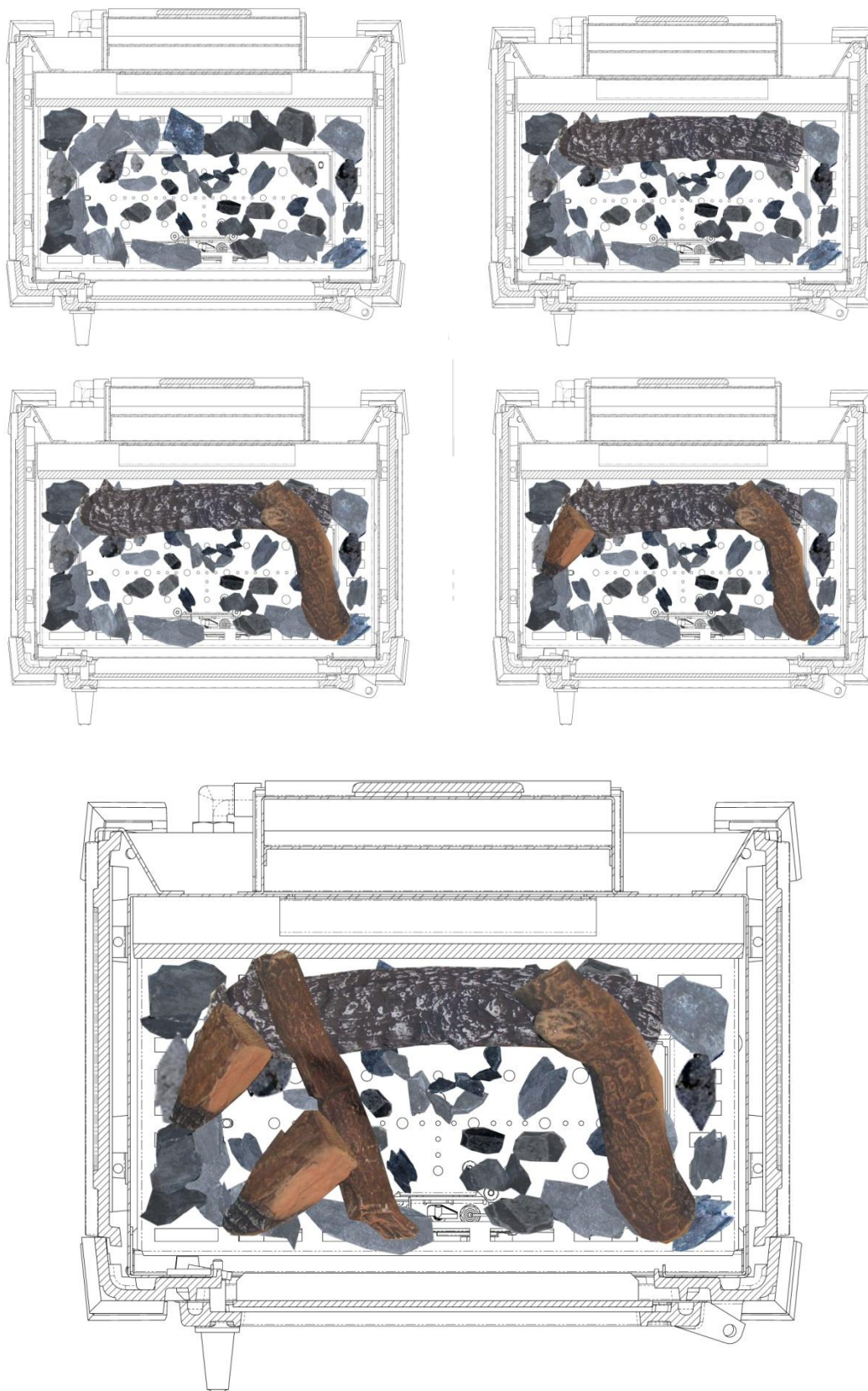
5. Fuel Bed Arrangements / Arrangement du lit de braises et des bûches

H15 LPG



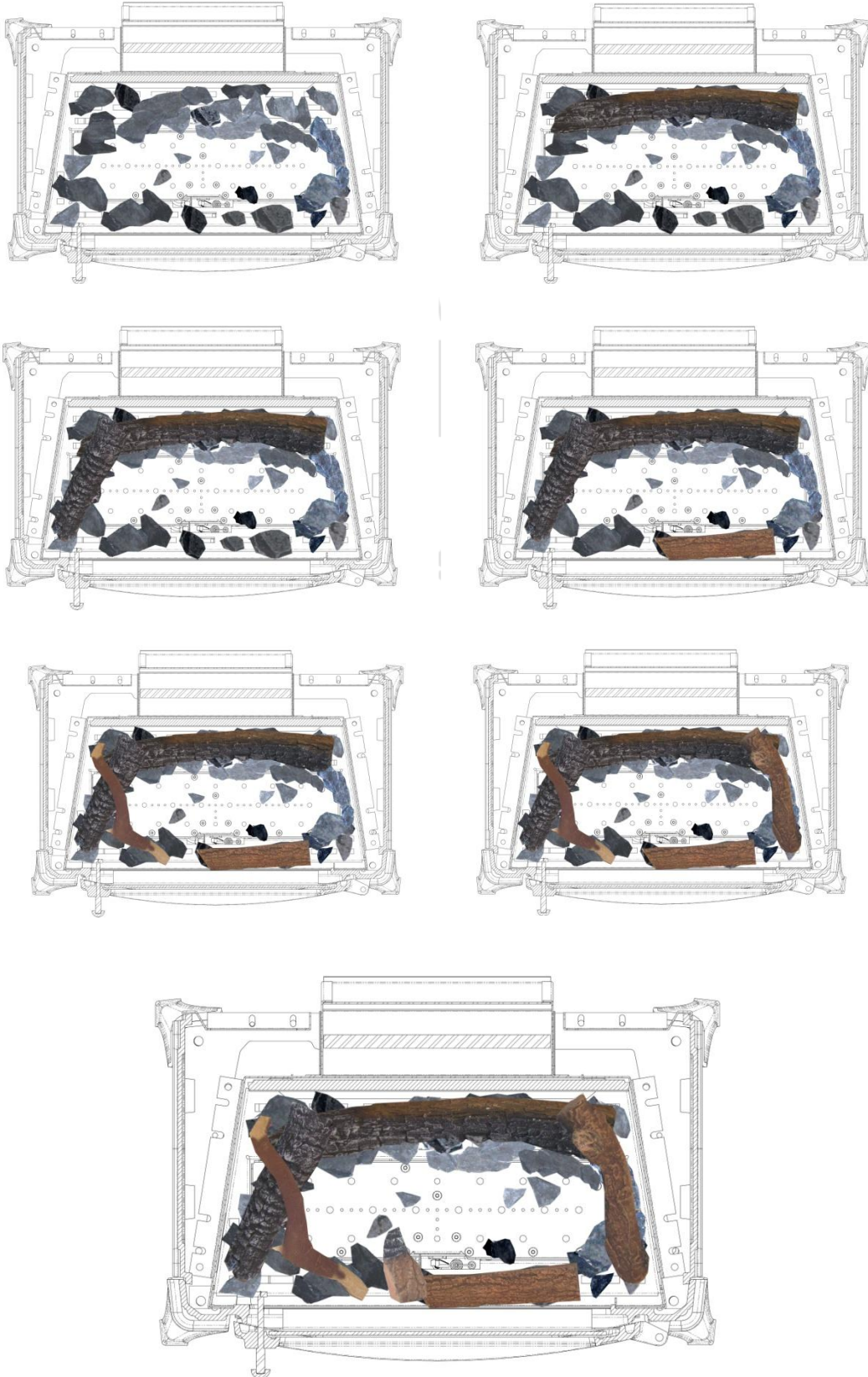
Fuel Bed Arrangements / Arrangement du lit de braises et des bûches

H15 NG



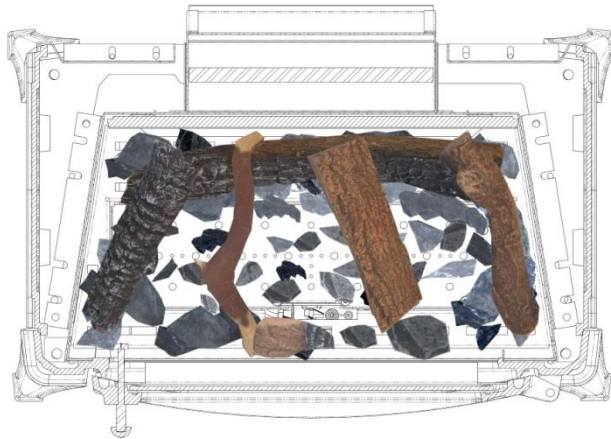
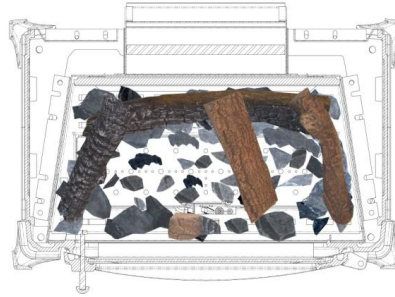
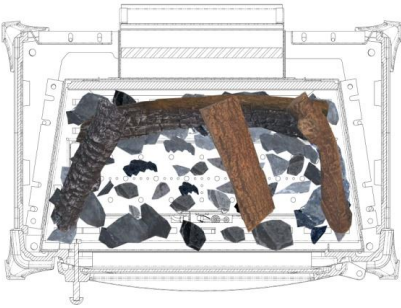
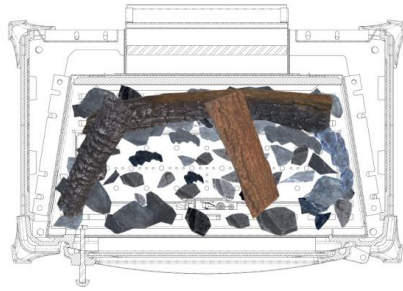
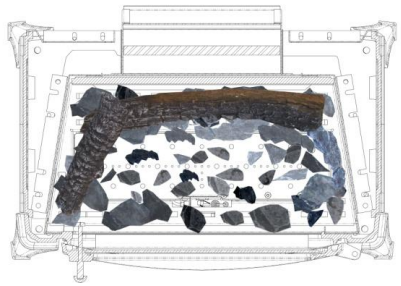
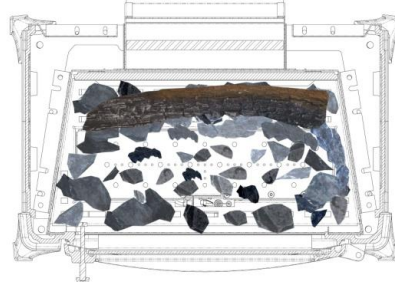
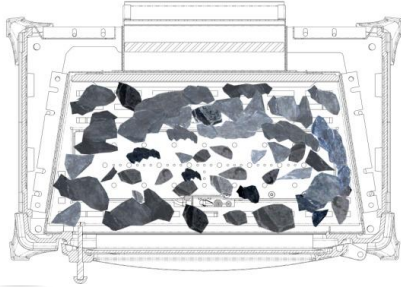
Fuel Bed Arrangements / Arrangement du lit de braises et des bûches

H25 LPG



Fuel Bed Arrangements / Arrangement du lit de braises et des bûches

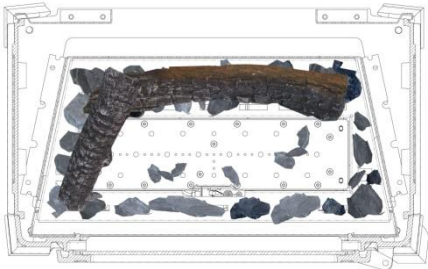
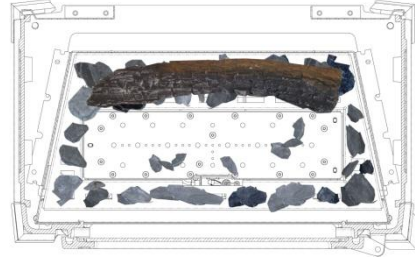
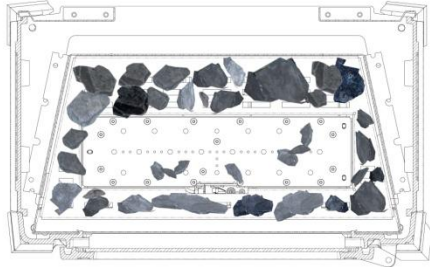
H25 NG



www.forjas-salvador.com

Fuel Bed Arrangements / Arrangement du lit de braises et des bûches

H35 LPG



Fuel Bed Arrangements / Arrangement du lit de braises et des bûches

H35 NG



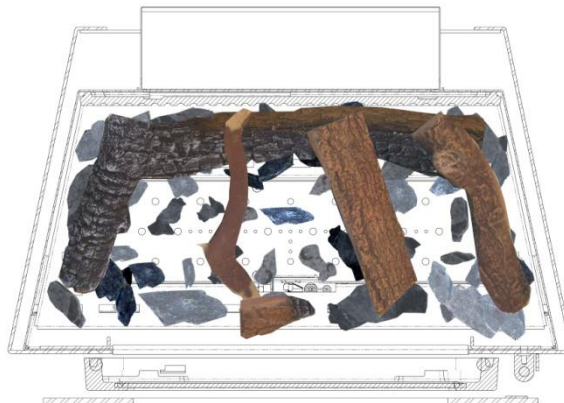
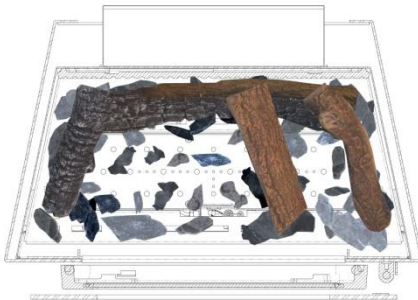
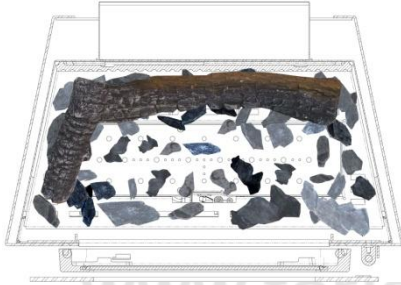
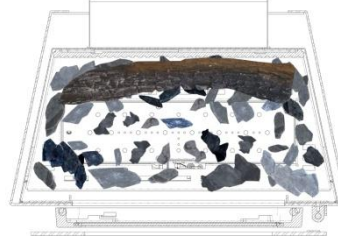
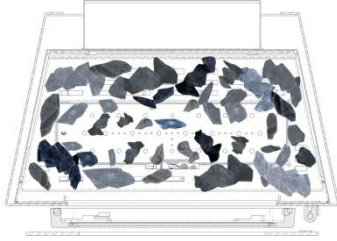
Fuel Bed Arrangements / Arrangement du lit de braises et des bûches

RH35 LPG



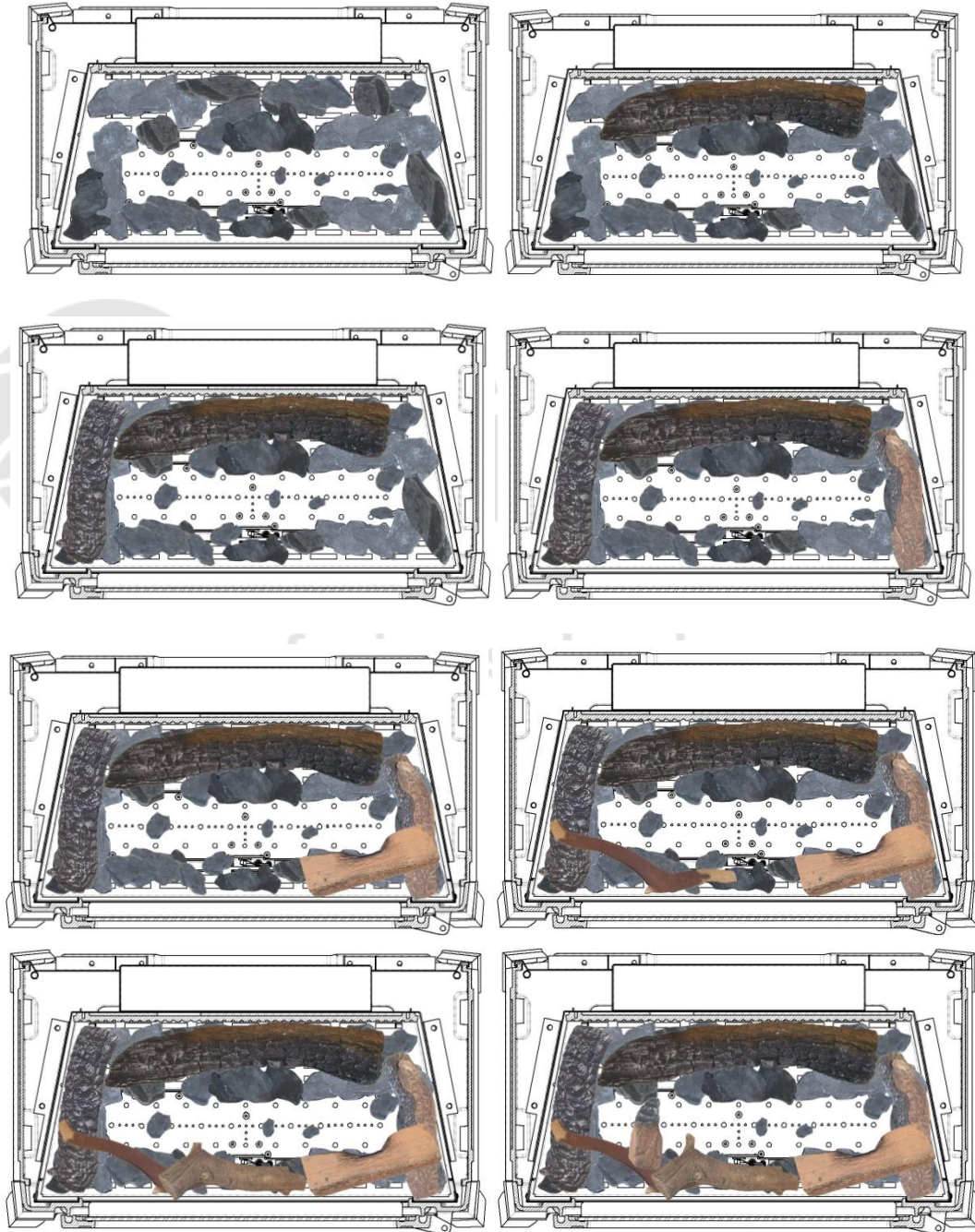
Fuel Bed Arrangements / Arrangement du lit de braises et des bûches

RH35 NG



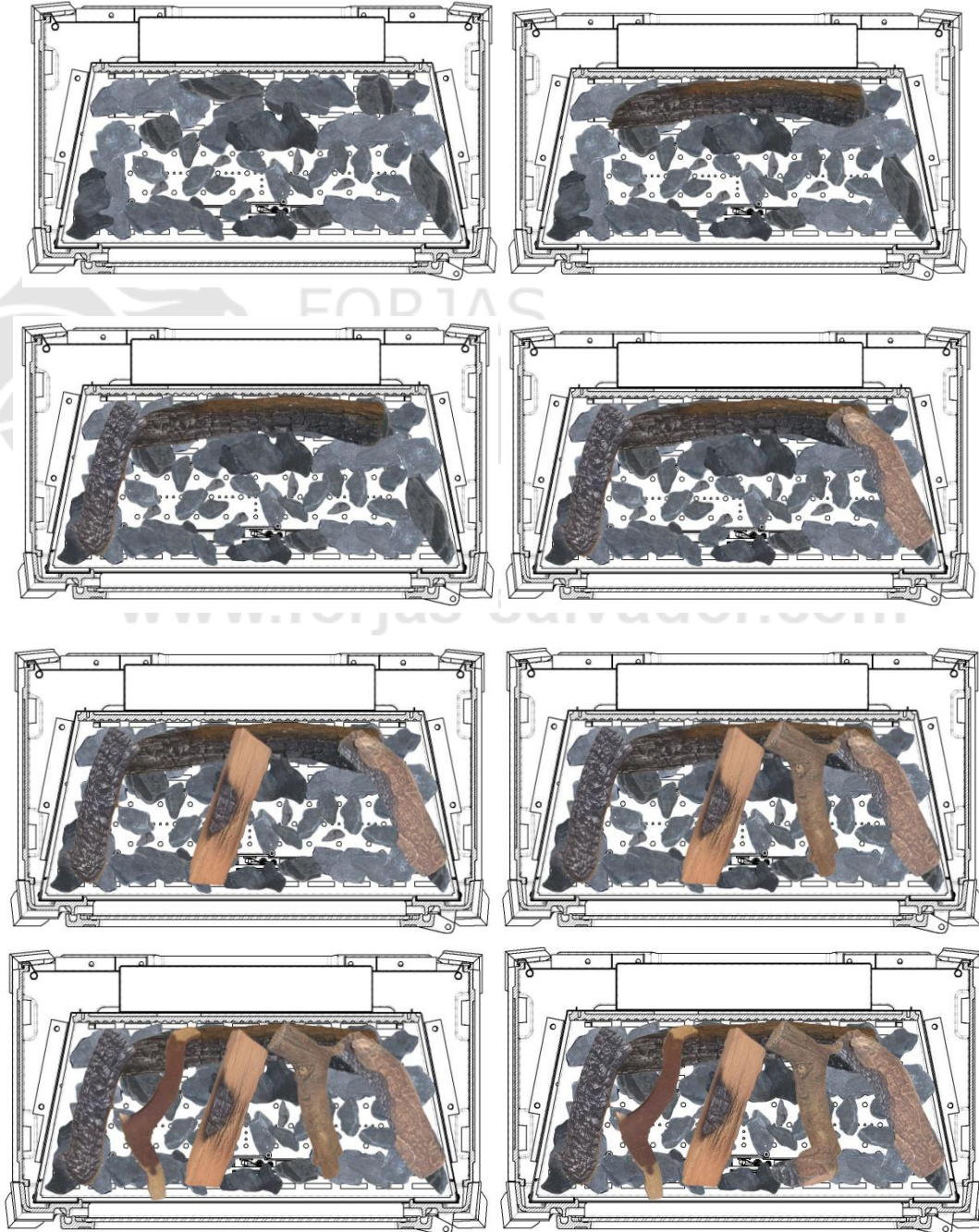
Fuel Bed Arrangements / Arrangement du lit de braises et des bûches

H45 LPG



Fuel Bed Arrangements / Arrangement du lit de braises et des bûches

H45 NG



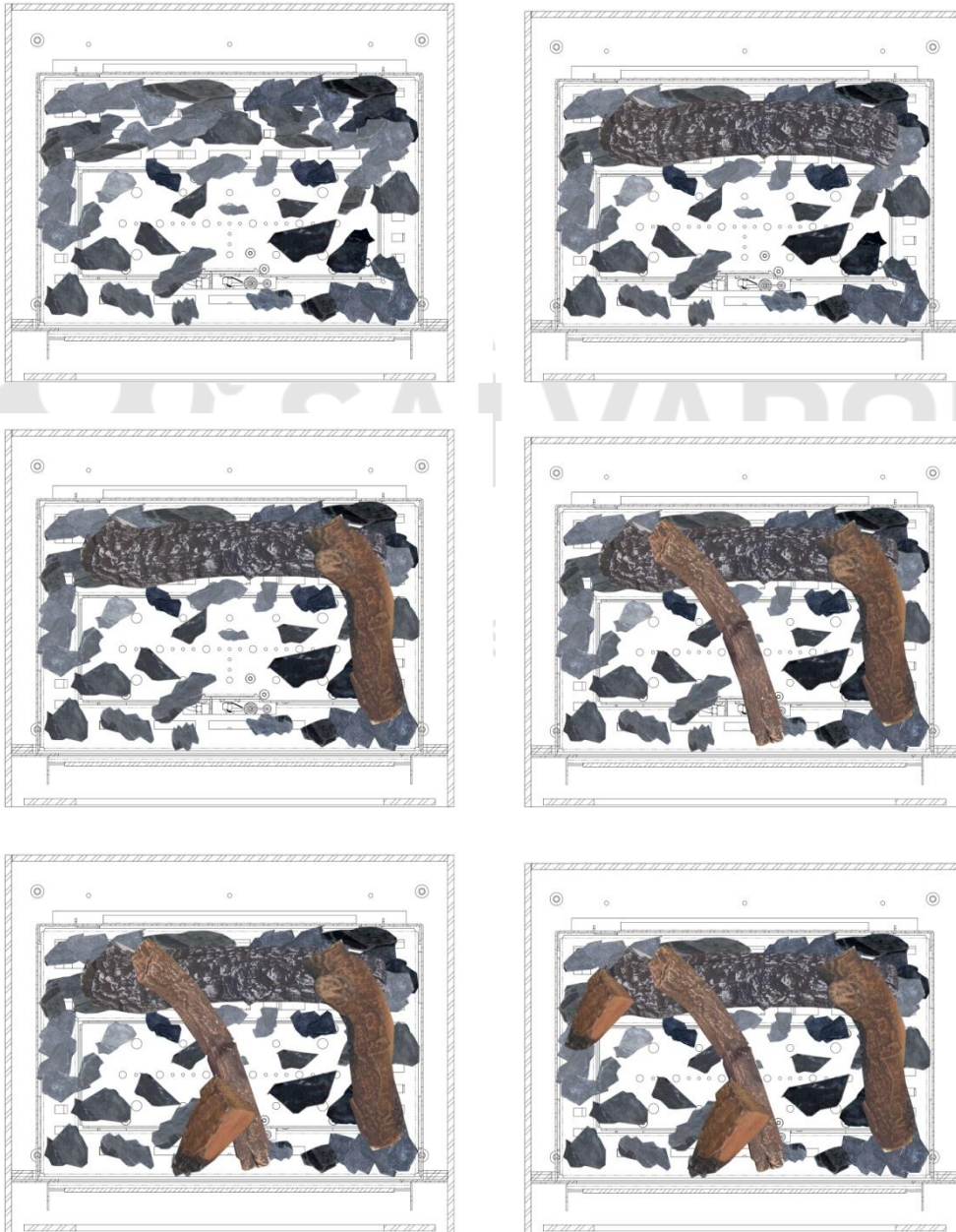
Fuel Bed Arrangements / Arrangement du lit de braises et des bûches

TQH15 LPG



Fuel Bed Arrangements / Arrangement du lit de braises et des bûches

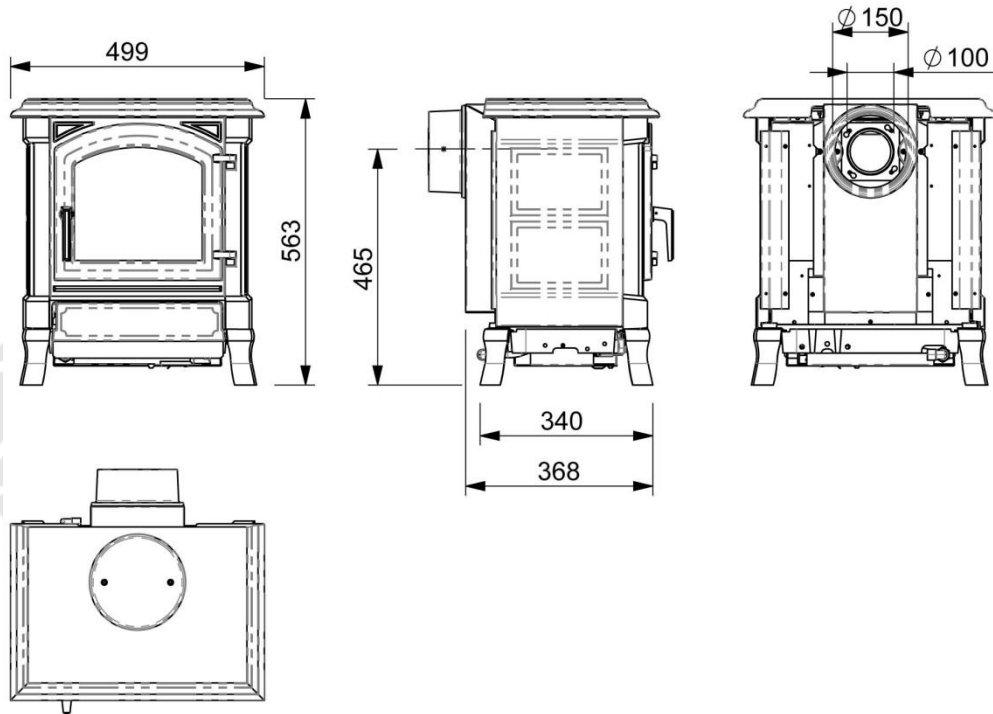
TQH15 NG



Dimensions

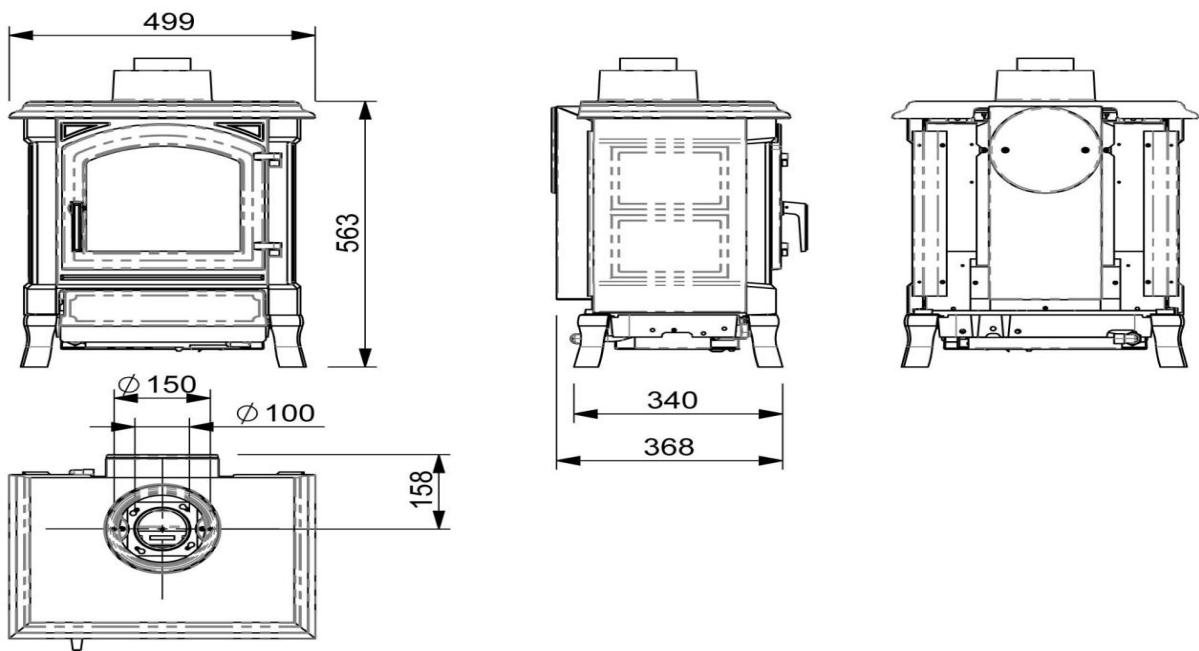
H15

REAR FLUE / SORTIE HORIZONTALE



H15

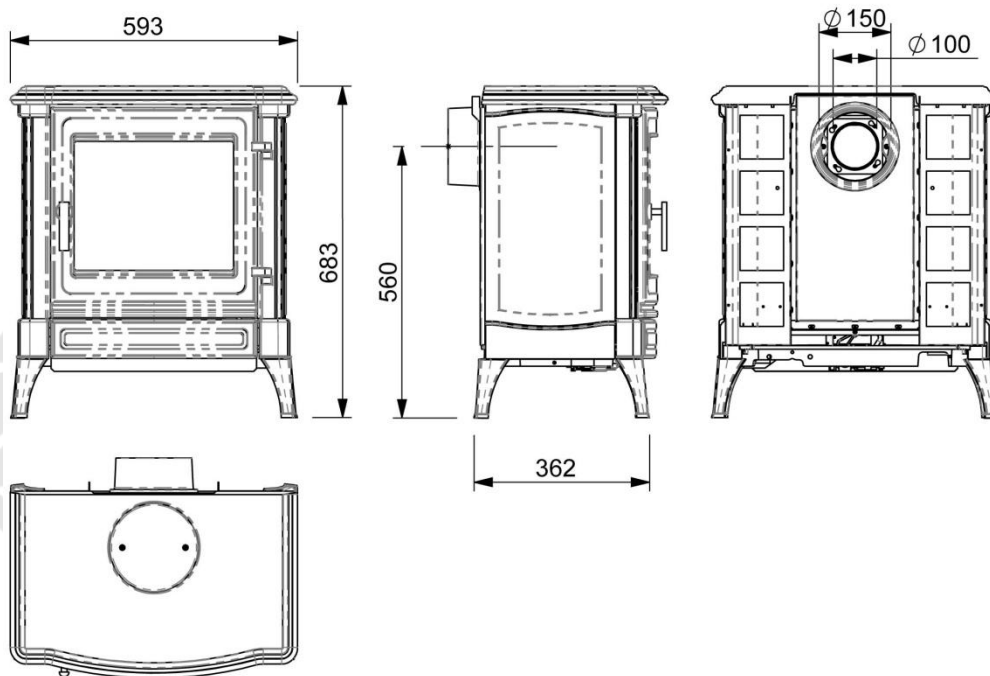
TOP FLUE / SORTIE VERTICALE



Dimensions

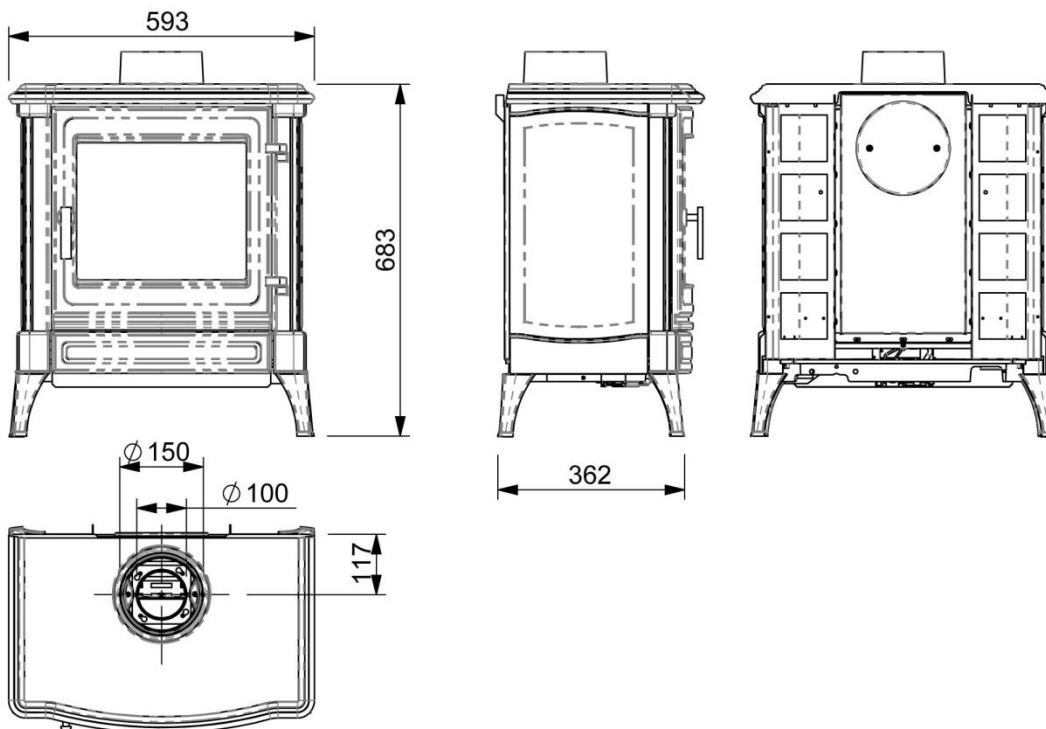
S25

REAR FLUE / SORTIE HORIZONTALE



S25

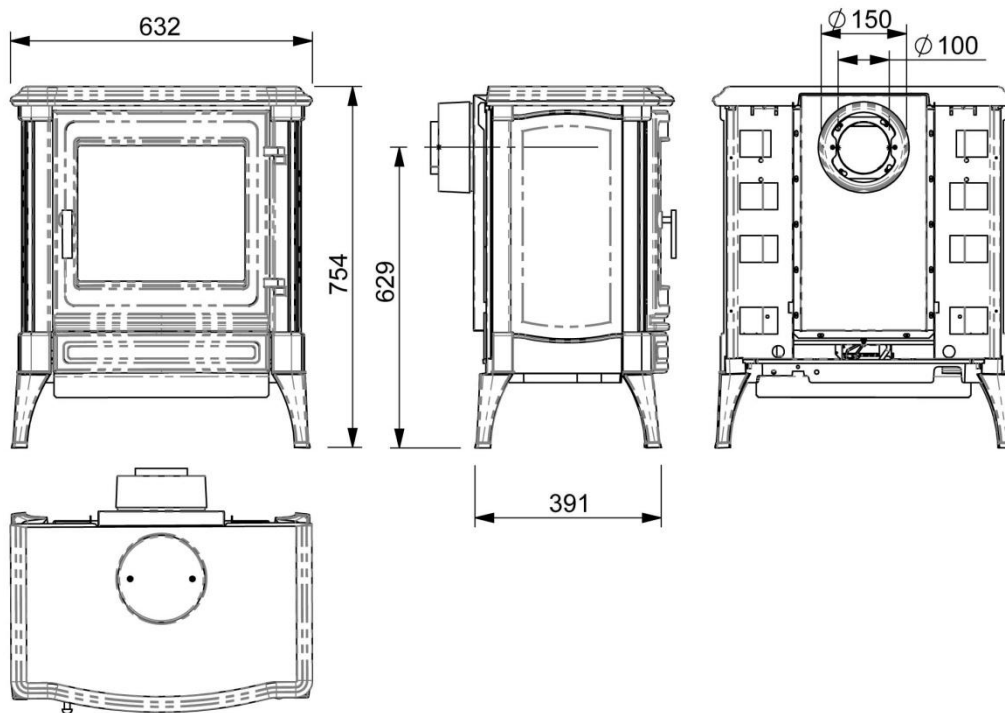
TOP FLUE / SORTIE VERTICALE



Dimensions

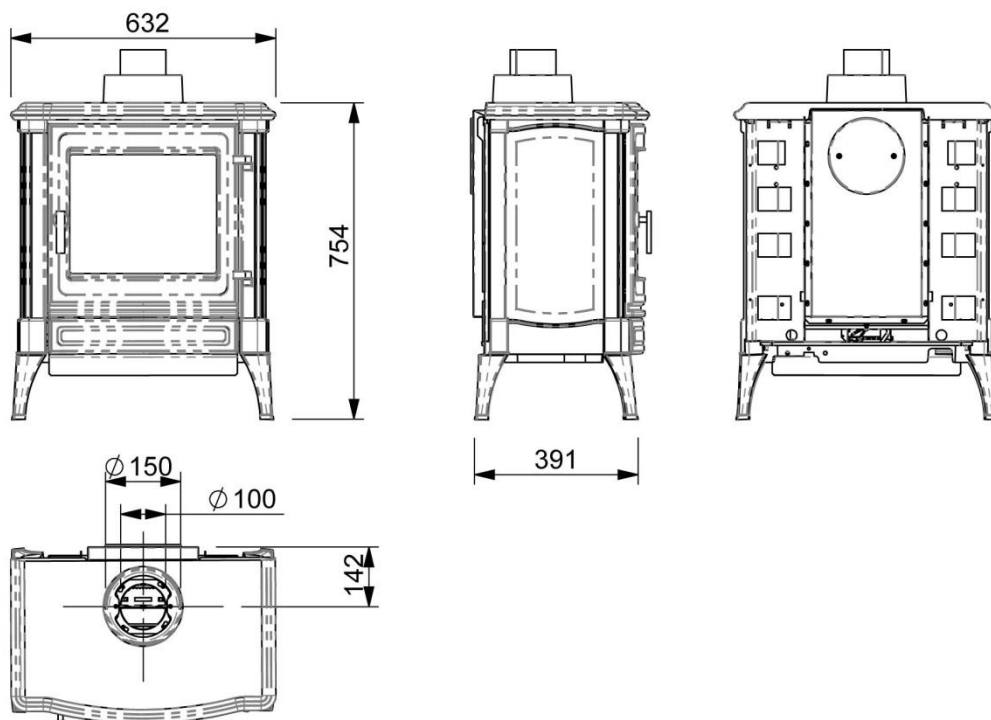
S35

REAR FLUE/ SORTIE HORIZONTALE



S35

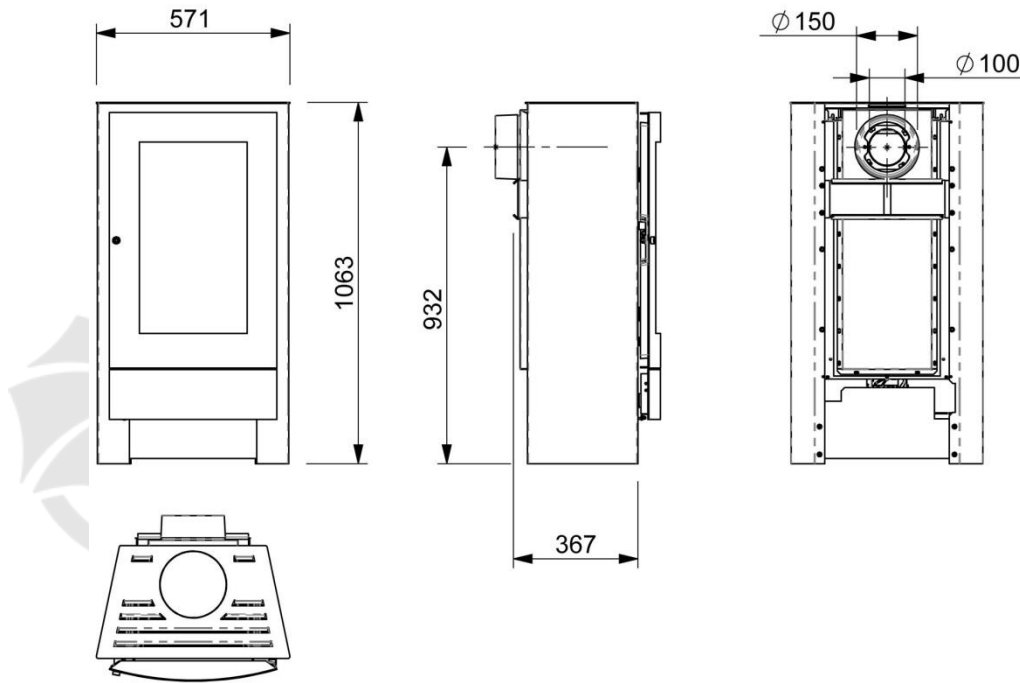
TOP FLUE/SORTIE VERTICALE



Dimensions

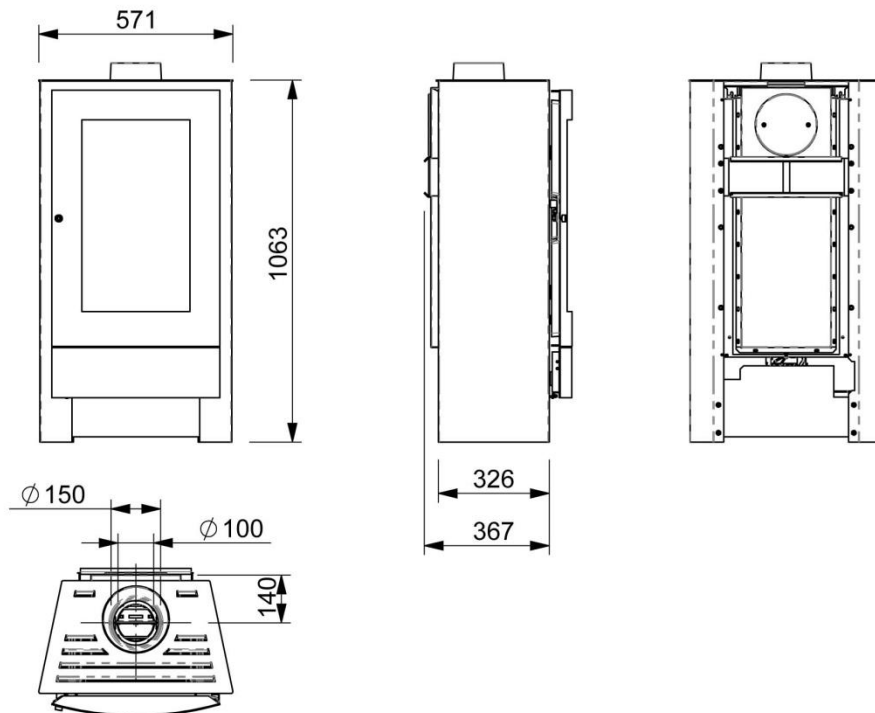
RH35

REAR FLUE/SORTIE HORIZONTALE



RH35 TOP FLUE

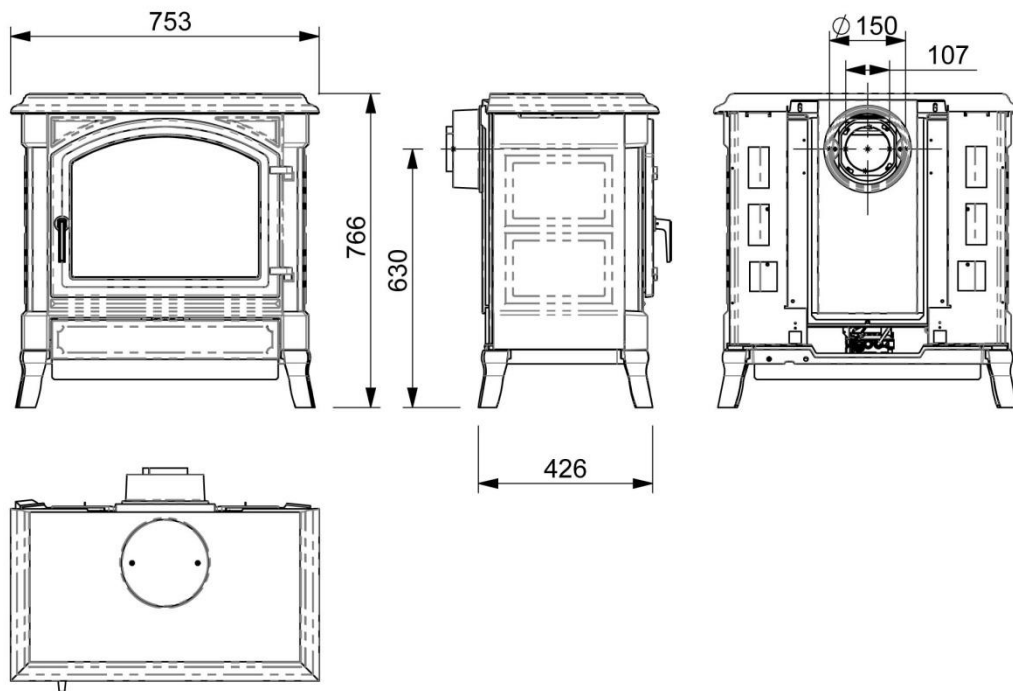
TOP FLUE/SORTIE VERTICALE



Dimensions

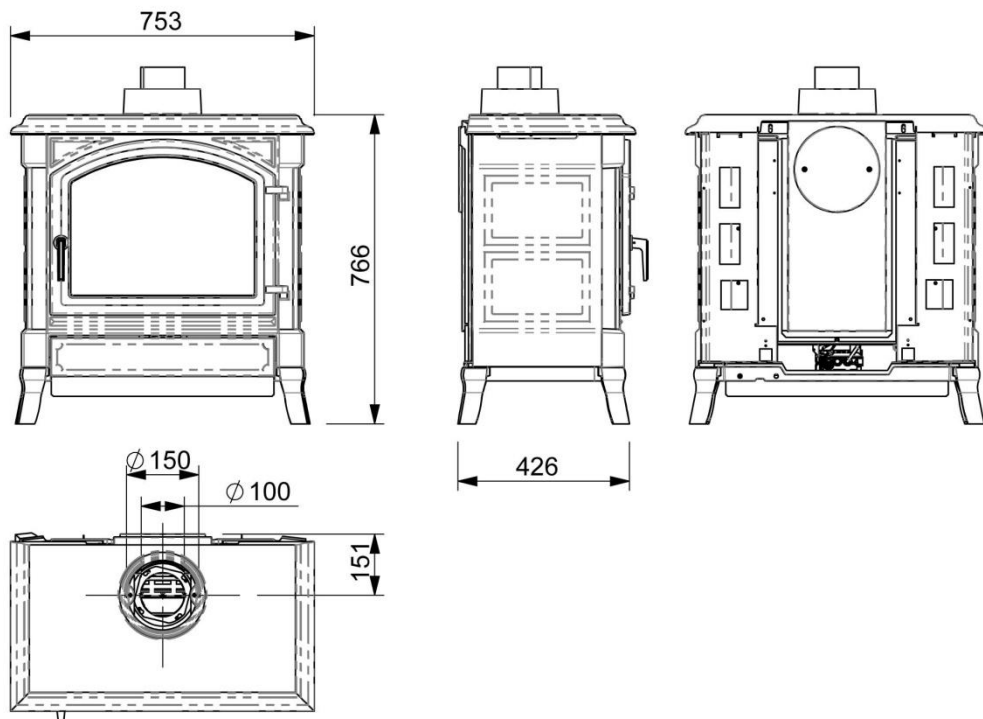
H45

REAR FLUE/SORTIE HORIZONTALE



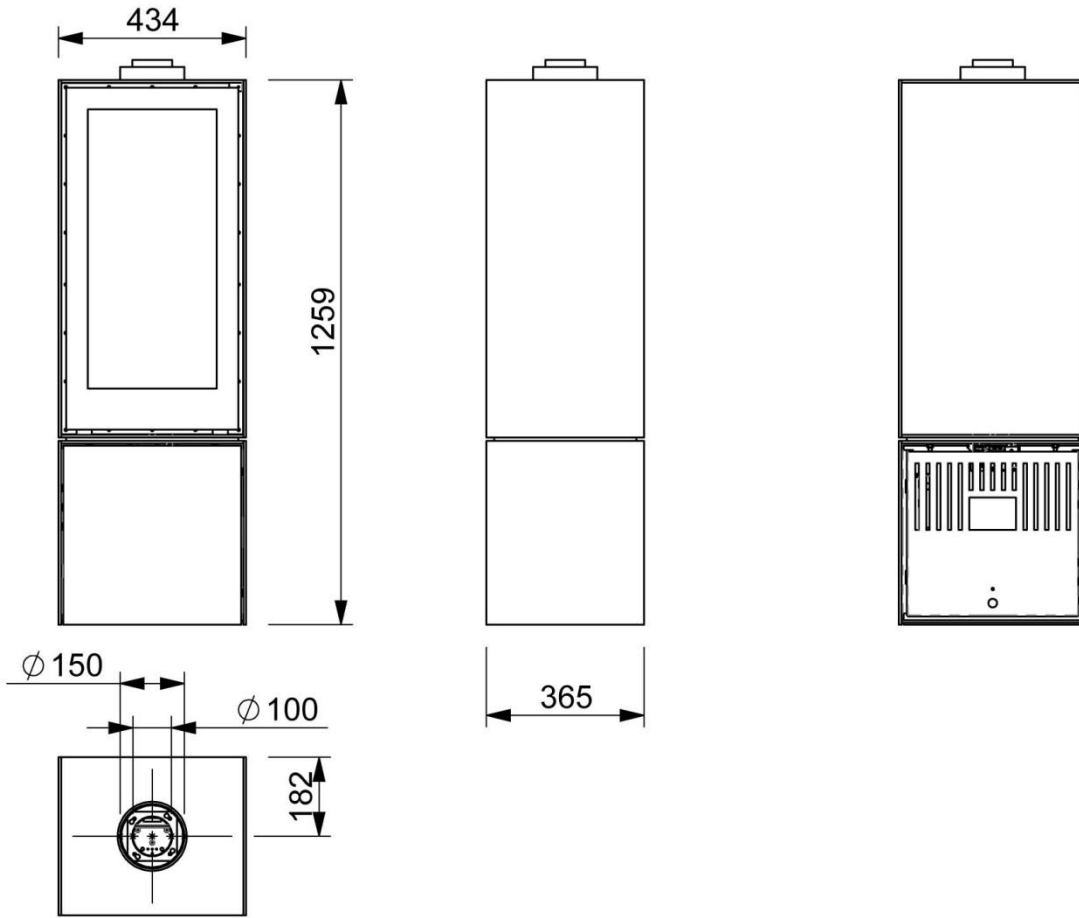
H45

TOP FLUE/SORTIE VERTICALE



Dimensions

TQH15



Technical Information / Informations techniques**5. Technical information / Informations techniques****5.1 Countries of Use / Pays de destination**

Country /Pays	Natural	LPG
AT -Austria	I2H, G20 at 20 mbar	I3P(50),G31 at 50 mbar; I3B/P(50),G30/G31 at 50 mbar
BE -Belgium	I2E+, G20/G25 at 20/25 mbar	I3+,G31/G31 at 28/37 mbar; I3P(37),G31 at 37 mbar; I3B/P(30),G30/G31 at 30 mbar
BG -Bulgaria	I2H, G20 at 20 mbar	I3B/P(30),G30/G31 at 30 mbar
CH - Switzerland	I2H, G20 at 20 mbar	I3P(50),G31 at 50 mbar; I3+,G31/G31 at 28/37 mbar; I3P(37),G31 at 37 mbar; I3B/P(50),G30/G31 at 50
CY -Cyprus	N/A	
CZ -Czech Republic	I2H, G20 at 20 mbar	I3P(50),G31 at 50 mbar; I3+,G31/G31 at 28/37 mbar; I3P(37),G31 at 37 mbar; I3B/P(50),G30/G31 at 50
DE -Germany	I2ELL, G25 at 20 mbar ¹ ; I2E, G20 at 20 mbar	I3P(50),G31 at 50 mbar; I3B/P(50),G30/G31 at 50
DK -Denmark	I2H, G20 at 20 mbar	I3B/P(30),G30/G31 at 30 mbar
EE -Estonia	I2H, G20 at 20 mbar	I3B/P(30),G30/G31 at 30 mbar
ES -Spain	I2H, G20 at 20 mbar	I3+,G31/G31 at 28/37 mbar; I3P(37),G31 at 37 mbar
FI -Finland	I2H, G20 at 20 mbar	I3P(30),G31 at 30 mbar; I3B/P(30),G30/G31 at 30 mbar
FR -France	I2E+, G20/G25 at 20/25 mbar	I3+,G31/G31 at 28/37 mbar; I3P(37),G31 at 37 mbar; I3B/P(30),G30/G31 at 30 mbar; I3B/P(50),G30/G31 at 50
GB -United Kingdom	I2H, G20 at 20 mbar	I3+,G31/G31 at 28/37 mbar; I3P(37),G31 at 37 mbar; I3B/P(30),G30/G31 at 30 mbar
GR -Greece	I2H, G20 at 20 mbar	I3+,G31/G31 at 28/37 mbar; I3P(37),G31 at 37 mbar; I3B/P(30),G30/G31 at 30 mbar
HU-Hungary		I3B/P(30),G30/G31 at 30 mbar
HR -Croatia	I2H, G20 at 20 mbar	I3P(37),G31 at 37 mbar; I3B/P(30),G30/G31 at 30 mbar
IE -Ireland	I2H, G20 at 20 mbar	I3+,G31/G31 at 28/37 mbar; I3P(37),G31 at 37 mbar
IS -Iceland		
IT -Italy	I2H, G20 at 20 mbar	I3+,G31/G31 at 28/37 mbar; I3P(37),G31 at 37 mbar; I3B/P(30),G30/G31 at 30 mbar
LT -Lithuania	I2H, G20 at 20 mbar	I3+,G31/G31 at 28/37 mbar; I3P(37),G31 at 37 mbar; I3B/P(30),G30/G31 at 30 mbar
LU -Luxembourg	I2E, G20 at 20 mbar	
LV -Latvia	I2H, G20 at 20 mbar	
MT-Malta		I3B/P(30),G30/G31 at 30 mbar

NL -The Netherlands	I2L, G25 at 25 mbar	I3P(50),G31 at 50 mbar; I3P(30),G31 at 30 mbar; I3P(37),G31 at 37 mbar; I3B/P(30),G30/G31 at 30 mbar
NO-Norway	I2H, G20 at 20 mbar	I3B/P(30),G30/G31 at 30 mbar
PL -Poland	I2E, G20 at 20 mbar	I3P(37),G31 at 37 mbar
PT -Portugal	I2H, G20 at 20 mbar	I3+,G31/G31 at 28/37 mbar; I3P(37),G31 at 37 mbar
RO -Romania	I2E, G20 at 20 mbar	I3P(30),G31 at 30 mbar; I3B/P(30),G30/G31 at 30 mbar
SE - Sweden	I2H, G20 at 20 mbar	I3B/P(30),G30/G31 at 30 mbar
SL -Slovenia	I2H, G20 at 20 mbar	I3+,G31/G31 at 28/37 mbar; I3P(37),G31 at 37 mbar; I3B/P(30),G30/G31 at 30 mbar
SK -Slovakia	I2H, G20 at 20 mbar	I3P(50),G31 at 50 mbar; I3+,G31/G31 at 28/37 mbar; I3P(37),G31 at 37 mbar; I3B/P(30),G30/G31 at 30 mbar; I3B/P(50),G30/G31 at 50
TR -Turkey	I2H, G20 at 20 mbar	I3+,G31/G31 at 28/37 mbar; I3P(37),G31 at 37 mbar; I3B/P(30),G30/G31 at 30 mbar

www.forjas-salvador.com

Technical Information / Informations techniques

5.2 Technical Data / Données techniques

H15

Gas type / Type de gaz		G20	G20/G25	G20/G25	G25	G30/G31		G31	
		l2H,l2E	l2E+	l2ELL	l2L	l3B/P(30/50)	l3+	l3P(37,50)	l3P(30)
Supply Pressure / Pression d'alimentation	mbar	20	20/25	20	25	30/50	28-30/37	37/50	30
Nominal Heat Input Gross / Puissance nominale brute (Hs)	kW	6.9	6.9	6.9	6.9	6.9	6.9	6.9	6.9
Nominal Heat Input Nett / Puissance nominale nette (Hi)	kW	6.2	6.2	6.2	6.2	6.4	6.4	6.4	6.4
Consumption / Consommation	m ³ /hr	0.631	0.631/0.741	0.741	0.741	0.191	0.191	0.248	0.248
Burner Pressure (hot) / Burner Pression brûler (chaud)	mbar	15	15\22	16	22	28.9	28.9	36	29
Injector Marking / Injecteur		480		560	480	160		180	
Pilot / Veilleuse		446.0330.24				446.0330.44			
Efficiency Class / Classe de rendement		1							
NOx Class / Classe de NOx		5							

H25

Gas type / Type de gaz		G20	G20/G25	G20/G25	G25	G30/G31		G31	
		l2H,l2E	l2E+	l2ELL	l2L	l3B/P(30/50)	l3+	l3P(37,50)	l3P(30)
Supply Pressure / Pression d'alimentation	mbar	20	20/25	20	25	30/50	28-30/37	37/50	30
Nominal Heat Input Gross / Puissance nominale brute (Hs)	kW	9	9	9	9	7.8	7.8	7.8	7.8
Nominal Heat Input Nett / Puissance nominale nette (Hi)	kW	8.1	8.1	8.1	8.1	7.2	7.2	7.2	7.2
Consumption / Consommation	m ³ /hr	0.828	0.828/0.960	0.960	0.960	0.213	0.213	0.277	0.277
Burner Pressure (hot) / Burner Pression brûler (chaud)	mbar	12.4	12.4\17.8	17.8	17.8	28.6	28.6	36	29
Injector Marking / Injecteur		650				180		220	
Pilot / Veilleuse		446.0330.24				446.0330.44			
Efficiency Class / Classe de rendement		1							
NOx Class / Classe de NOx		5							

Technical Information / Informations techniques
S35

Gas type / Type de gaz		G20	G20/G25	G20/G25	G25	G30/G31		G31	
		l2H,l2E	l2E+	l2ELL	l2L	l3B/P(30/50)	l3+	l3P(37,50)	l3P(30)
Supply Pressure / Pression d'alimentation	mbar	20	20/25	20	25	30/50	28- 30/37	37/50	30
Nominal Heat Input Gross / Puissance nominale brute (Hs)	kW	9.5	9.5	9.5	9.5	8.5	8.5	8.5	8.5
Nominal Heat Input Nett / Puissance nominale nette (Hi)	kW	8.6	8.6	8.6	8.6	7.8	7.8	7.8	7.8
Consumption / Consommation	m ³ /hr	0.878	0.878/1.010	1.010	1.010	0.234	0.234	0.305	0.305
Burner Pressure (hot) / Burner Pression brûler (chaud)	mbar	4.9	4.9\7.2	7.2	7.2	28.8	28.8	36	29
Injector Marking / Injecteur		1200				220		260	
Pilot / Veilleuse		446.0330.24				446.0330.44			
Efficiency Class / Classe de rendement		1							
NOx Class / Classe de NOx		5							

S45

Gas type / Type de gaz		G20	G20/G25	G20/G25	G25	G30/G31		G31	
		l2H,l2E	l2E+	l2ELL	l2L	l3B/P(30/50)	l3+	l3P(37,50)	l3P(30)
Supply Pressure / Pression d'alimentation	mbar	20	20/25	20	25	30/50	28- 30/37	37/50	30
Nominal Heat Input Gross / Puissance nominale brute (Hs)	kW	11.6	11.6	11.6	11.6	9.8	9.8	9.8	9.8
Nominal Heat Input Nett / Puissance nominale nette (Hi)	kW	10.5	10.5	10.5	10.5	9.0	9.0	9.0	9.0
Consumption / Consommation	m ³ /hr	1.082	1.082/1.257	1.257	1.257	0.272	0.272	0.354	0.354
Burner Pressure (hot) / Burner Pression brûler (chaud)	mbar	6.5	6.5\9.7	9.7	9.7	26.4	26.4	35	29
Injector Marking / Injecteur		1200				260		280	
Pilot / Veilleuse		446.0330.24				446.0330.44			
Efficiency Class / Classe de rendement		1							
NOx Class / Classe de NOx		5							

Technical Information / Informations techniques
RH35

Gas type / Type de gaz		G20	G20/G25	G20/G25	G25	G30/G31		G31	
		l2H,l2E	l2E+	l2ELL	l2L	l3B/P(30/50)	l3+	l3P(37,50)	l3P(30)
Supply Pressure / Pression d'alimentation	mbar	20	20/25	20	25	30/50	28-30/37	37/50	30
Nominal Heat Input Gross / Puissance nominale brute (Hs)	kW	13.5	13.5	13.5	13.5	10	10	10	10
Nominal Heat Input Nett / Puissance nominale nette (Hi)	kW	12.2	12.2	12.2	12.2	9.2	9.2	9.2	9.2
Consumption / Consommation	m ³ /hr	1.25	1.250/1.460	1.460	1.460	0.274	0.274	0.357	0.357
Burner Pressure (hot) / Burner Pression brûler (chaud)	mbar	9.2	9.2\13	13	13	27.5	27.5	35	29
Injector Marking / Injecteur		1200				260		280	
Pilot / Veilleuse		446.0330.24				446.0330.44			
Efficiency Class / Classe de rendement		1							
NOx Class / Classe de NOx		5							

TQH15

Gas type / Type de gaz		G20	G20/G25	G20/G25	G25	G30/G31		G31	
		l2H,l2E	l2E+	l2ELL	l2L	l3B/P(30/50)	l3+	l3P(37,50)	l3P(30)
Supply Pressure / Pression d'alimentation	mbar	20	20/25	20	25	30/50	28-30/37	37/50	30
Nominal Heat Input Gross / Puissance nominale brute (Hs)	kW	9.5	9.5	9.5	9.5	8	8	8	8
Nominal Heat Input Nett / Puissance nominale nette (Hi)	kW	8.6	8.6	8.6	8.6	7.4	7.4	7.4	7.4
Consumption / Consommation	m ³ /hr	0.891	.891/1.031	1.031	1.031	0.219	0.219	0.285	0.285
Burner Pressure (hot) / Burner Pression brûler (chaud)	mbar	16.7	16.7\22	9	22	28.9	28.9	36	29
Injector Marking / Injecteur		650		1200	650	220		260	
Pilot / Veilleuse		446.0330.24				446.0330.44			
Efficiency Class / Classe de rendement		1							
NOx Class / Classe de NOx		5							



www.forjas-salvador.com

C07100DB369_2

09/2016